



### Feature:

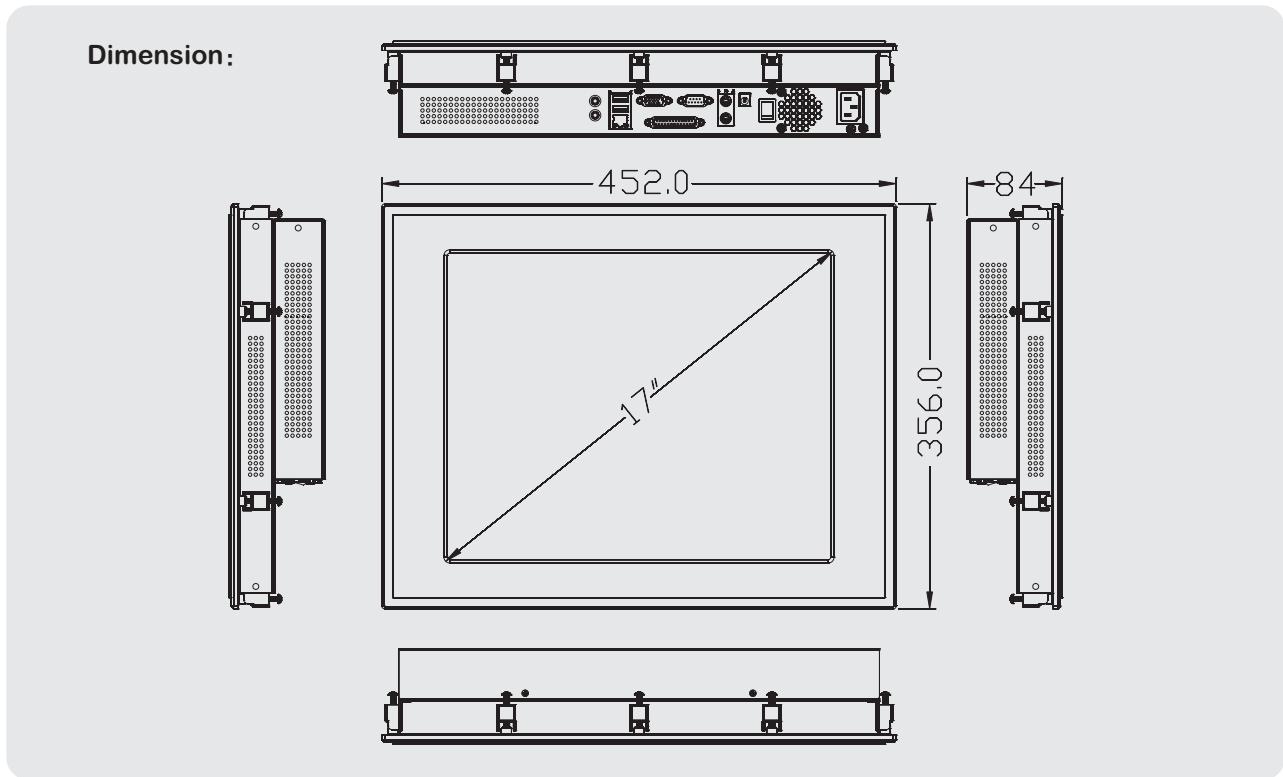
- ◆ Duralumin panel and steel chassis
- ◆ 17" TFT LCD display with Touch-screen
- ◆ Utilize Mini-ITX industry mainboard
- ◆ Provide one VGA, LCD and VGA support independently dual-displaying
- ◆ One COM、one LPT、one LAN、two USB

### Description:

PPC-3217 17" TFT LCD panel PC, with duralumin front panel and stainless steel body, could be used in the poor industrial environment. PPC-3217 is designed with embedded Mini-ITX board, fanless. Rich I/O ports on back panel: two USB, one COM and one 100Mbps LAN, LVDS and VGA can independently dual-display. It is widely used in the field of industrial control, building monitor, multimedia conference system, medical instrument, bank and ticket office, etc.

### Specification:

Main	Chassis Material	Duralumin Panel and steel chassis
	Display	Colorful TFT LCD 17" with Touch-screen
	Hard Disk Driver	One mini IDE HDD support
	Serial port	One Serial port
	Parallel port	One Parallel port
	Lan port	One RJ-45, 10/100Mbps LAN
	VGA	One VGA
	USB	Two USB2.0 ports
	KB/MS	PS/2
	Expansion slot	One CF card socket
	Cooling System	Fanless design
	Certification	3C、CE、FCC
Mainboard	Model Number	NORCO-6682ALE
	CPU	Support AMD LX700 CPU+CS5536
	Dimension	170mm×170mm
Other	Power Supply	1U 180W Industry power supply
	Operate System	Windows98/2000/XP, Unix 5.0.5, RedHat 9.0, FreeBSD etc.
	Dimension	452mm×84mm×356mm (W×D×H)
	Working Temperature	0℃~50℃
	Storage Temperature	-40℃~60℃
	Humidity	5%~9%, 40℃ (no condensing)



### Order Information:

Model No.	8.4"LCD	Touch Screen	Hard Disk Drive	RAM
PPC-3217	√	√	40G	DDR 512MB

### Accessories:

PSU cable	Product Manual	HDD screw	Screw	Screw
One	One	6 (1/8×6 screw)	4 (M4×8)	6 (M3×6)