



### Feature:

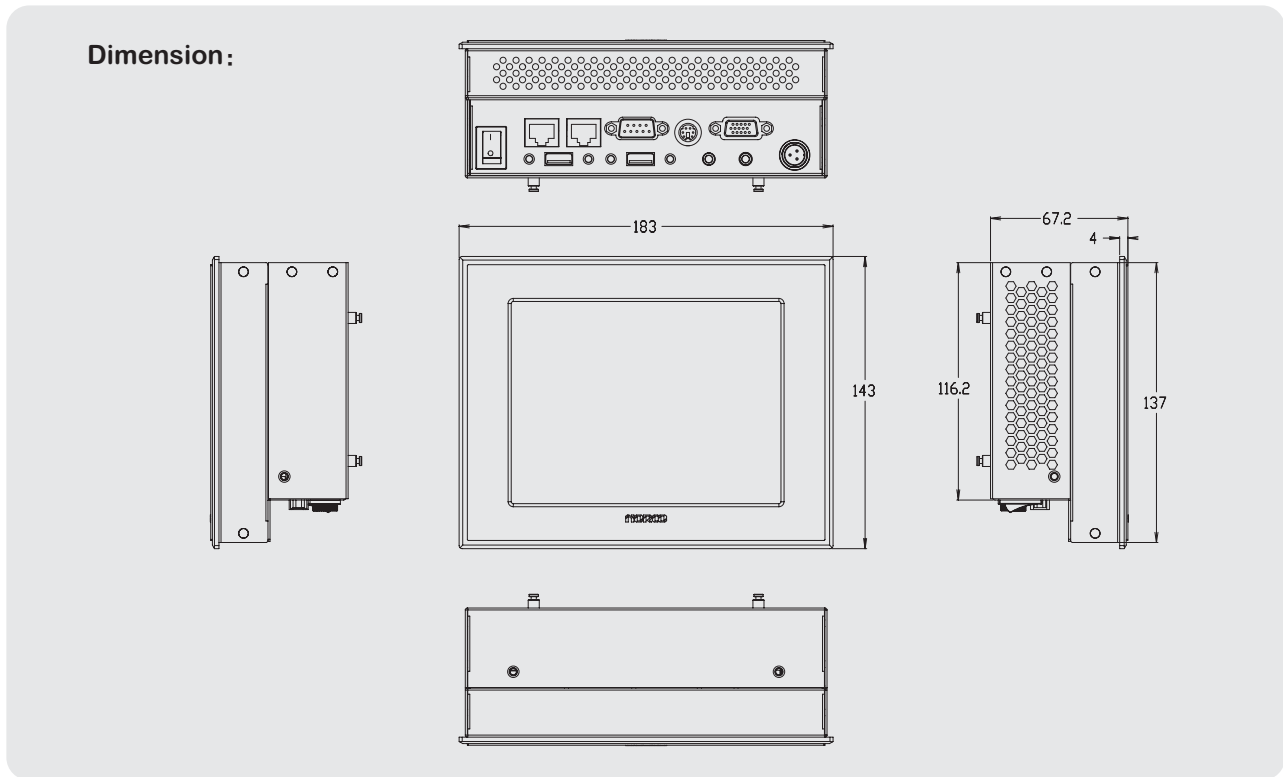
- ◆ Duralumin panel and steel chassis
- ◆ 6.4" TFT LCD display with Touch-screen
- ◆ Utilize 3.5" ULV industry mainboard
- ◆ One VGA, LCD and VGA support independently dual-displaying
- ◆ One COM, two LAN, two USB ports

### Description:

PPC-3264 is one of rackmount 6.4" TFT LCD panel PC with high strength duralumin panel and steel chassis, support touch screen. It can be apply in various poor industry environments. It works with embedded low power-consumed mainboard and fanless design. Rich exterior I/O ports provided: one serial port, two 10/100Mbps Ethernet ports, two USB2.0 ports, one PS/2 connector and one VGA connector, it can be widely used in fields of Telecom, Electric Power, National Defence, Robotization, Manufacturing etc.

### Specification:

Main	Chassis Material	Duralumin Panel and steel chassis
	Display	Colorful TFT LCD 6.4" with Touch-screen
	Hard Disk Driver	One mini IDE
	Serial port	One COM
	Parallel port	--
	Lan port	Two RJ-45, 10/100Mbps LAN
	VGA	One VGA
	USB	Two USB2.0 ports
	KB/MS	One PS/2
	Expansion slot	One CF card socket
	Cooling System	Fanless design
	Certification	3C、CE、FCC
Mainboard	Model Number	NORCO-3680ALE
	CPU	Onboard AMD LX700 CPU, Power:0.9W
	Dimension	145mm×102mm
Other	Power Supply	DC12V power input
	Operate System	Windows98/2000/XP, Unix 5.0.5, RedHat 9.0, FreeBSD etc.
	Dimension	183mm×143mm×67.2mm (W×D×H)
	Working Temperature	0℃~50℃
	Storage Temperature	-40℃~60℃
	Humidity	5%~9%, 40℃ (no condensing)



### Order Information:

Model No.	6.4"LCD	Touch Screen	Hard Disk Drive	RAM
PPC-3264	√	√	40G	DDR 512MB

### Accessories:

PSU cable	Product Manual	HDD screw	Screw	Screw
One	One	6 (1/8×6 screw)	4 (M4×8)	6 (M3×6)