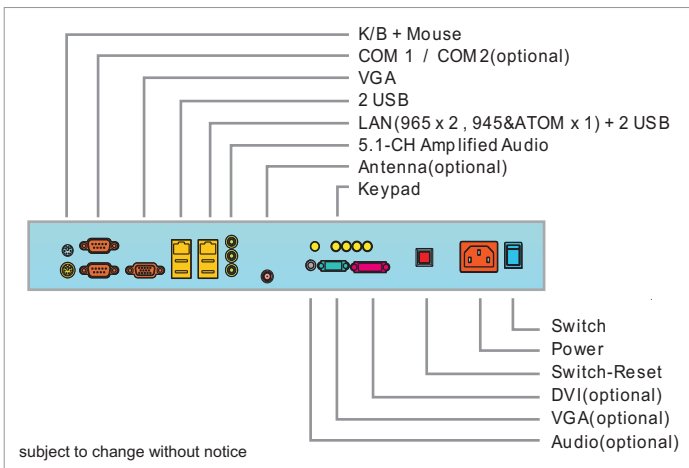




## PANEL PC SYSTEMS

### VB-19965MD / 19945MD



BROTEK Technology newest launched product, MD Panel PC series. Mini ITX Motherboard, CPU, RAM, HD, Power supply, VGA board, WiFi, ALL integrated in one case. All you need to do just find a outlet, and plug in the power core.

MD Panel PC designed in all size, 19" 26" 32" 42" 47" 52" 65"(future), Premier Computer also provides High-Tech solutions for different customers needs and to fit different environment, such as IP Function, Sunlight solution, PID Control, PMMA & Tempered Glass Protection sheet, and Touch Screen.

- ✓ IP 65 in front bezel.
- ✓ Support Intel Core 2 Duo.
- ✓ Support Panel size 19"~65"
- ✓ Optical touch screen.
- ✓ Support Mini-PCI,
- ✓ Space for 1 x 2.5" HDD
- ✓ Support VESA mount
- ✓ 3 way range power input



### Specification

#### System Specifications

|                    |  |
|--------------------|--|
| CPU                | Intel ATOM 1.6GHz up to Core 2 Duo 2.4GHZ  |
| DRAM               | 1GB up to 4GB  |
| Storage            | Space for 1x 2.5" HDD Expansion PCI slot x 1 , MiniPCI slot x 1(optional)                  |
| Fanless / Fan      | Fanless  |
| Touch screen       | Optical Touch (optional)   |
| Standard I/O ports | power input, 1 x PS/2 keyboard & mouse, 1 x Ethernet Port (or 2 for optional), 4 x USB 2.0 |
| Optional I/O ports | 1 x COM(or 2 for optional), 1 x VGA, 1 x Line-out, 1 x HDMI(optional), 1 x DVI             |

#### Display Specifications

|                    |                           |
|--------------------|---------------------------|
| LCD                | 19", AUO                  |
| Resolution         | 1440 x 900                |
| Backlight Lifetime | 50,000 hrs                |
| Color              | 16.7M (RGB 6-bits, HiFRC) |
| Viewing Angle      | 160°(H) x 160°(V)         |
| Brightness         | 300 cd/m2                 |

#### Mechanical Specifications

|                   |                                       |
|-------------------|---------------------------------------|
| Construction      | Metal                                 |
| Power input       | 110V / 220V AC                        |
| Operating Temp.   | 0~50 C                                |
| Storage Temp.     | 20~60 C                               |
| Relative Humidity | 5~90% @40 C non-condensing            |
| Rating            | IP 65 compliant front bezel(optional) |
| Certificate       | Meet CE / FCC                         |
| Mounting          | 100(L) x 100(W) / mm                  |
| Dimensions        | 468(L) x 318(W) x 85(D) / mm          |

### Order Information (Standard)

|         |  |
|---------|--|
| 965GME  | Panel PC, Intel Core 2 Duo 2.4GHZ<br>4G Ram, 80GB HDD. |
| 945ATOM | Panel PC, Intel ATOM 1.6 GHZ<br>2G Ram, 80GB HDD.      |

### Options

#### 965GME

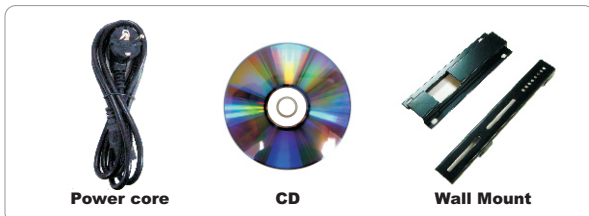
- CPU:T7500 2.2G , T8300 2.4G.
- Ram:2G or 4 G.
- P.M.M.A. Protection Sheet
- AR Tempered Glass

#### For ALL

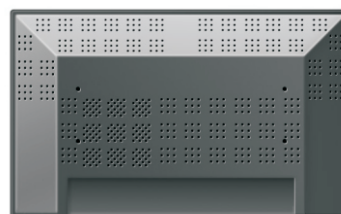
- HDD 2.5":80G , 160G , 320G.
- Touch Screen:Optical , SAW.
- WIFI

### Accessories

- CD x 1
- Power Core x 1
- Wall mount x 1



subject to change without notice





## PANEL PC SYSTEMS

### MD Modular Design

Panel 19"~65"  
-High Brightness  
-Sunlight solution

-Touch panel  
(SAW / OPTICAL)  
-Protection sheet  
(AR Glass-4.0mm)

Front Bezel  
Can meet-  
IP proof

Speaker 5W

- Back cover  
- Meet VESA Standard  
- Support Stand

- Power  
- PC Board  
- Hard Disk  
- Compact disc

