

## IRF-655 : 4-port RS-232 to 100Base-FX Single Slot Device Server



### Product Introduction & Benefits

The IRF-655 enables you to connect up to four RS-232 devices – such as SCADA, CNCs, weight scales and legacy robots – from your factory floor directly to a Fast Ethernet network, via Small Form Pluggable (SFP) module. The IRF-655 can control all legacy and modern RS-232 devices through your existing office Ethernet. This interconnecting device is a highly reliable solution for bringing automated equipment on the factory floor into your office Ethernet environment.



### Applications:

- Industrial/Factory/Laboratory automation/SCADA systems
- Self-service banking systems
- Factory robots and HVAC control systems
- Wafer fabrication systems
- Point of Sale (POS) systems
- Security cameras or other remote distributed serial devices

### Ordering Information:

#### **IRF-655:**

4-port RS-232 to 100Base-FX Single Slot Device Server

#### **FPM-107:**

1310nm, 3.3V 100Base-FX Multi-mode SFP Module, 2km

#### **FPM-107-30/60:**

1310nm, 3.3V 100Base-FX Single-mode SFP Module, 30/60km

#### **FPM-107-100/120:**

1550nm, 3.3V 100Base-FX Single-mode SFP Module, 100/120km

### Main Features:

- VOLKTEK Nebility and Webility with Virtual COM
- Virtual COM port utility to manage 256 serial devices remotely
- 4 x RS-232 (Male) ports
- 100Base-FX Fiber SFP-type Ethernet connection
- Telnet with both CLI and Menu-driven user interface
- Both TFTP and HTTP firmware upgradeable
- RS-232 signals: TxD, RxD, RTS, CTS, DTR, DSR, DCD, RI, GND
- POST function
- Power indicator (PWR, RPS)
- ALARM Contact
- Terminal Block
- Power-input polarity protection function
- Under-power & over-power detection function
- Wide voltage range: 9~48V DC
- DC power supply
- EMI: FCC Class A, CE Class A



## Specifications:

### Standards:

IEEE 802.3u 100Base-FX  
EIA/TIA-232

### Ports:

4 x serial RS-232 (9 pin Male)  
1 x 100Base-FX Fiber (SFP)

### Wavelength:

1310nm (multi-mode)  
1310nm (single-mode)

### Max Distances:

RS-232 cable: 15m (49.5ft)  
Fiber Optic: Up to 120km

### Power:

Power Input: 9 ~ 48V DC / 1.5 A

### Temperature:

Operating: 0 °C to 70 °C  
Storage: -20 °C to 80 °C

### Humidity:

Operating: 10% to 80%RH  
Storage: 5% to 90%RH

### Compliance:

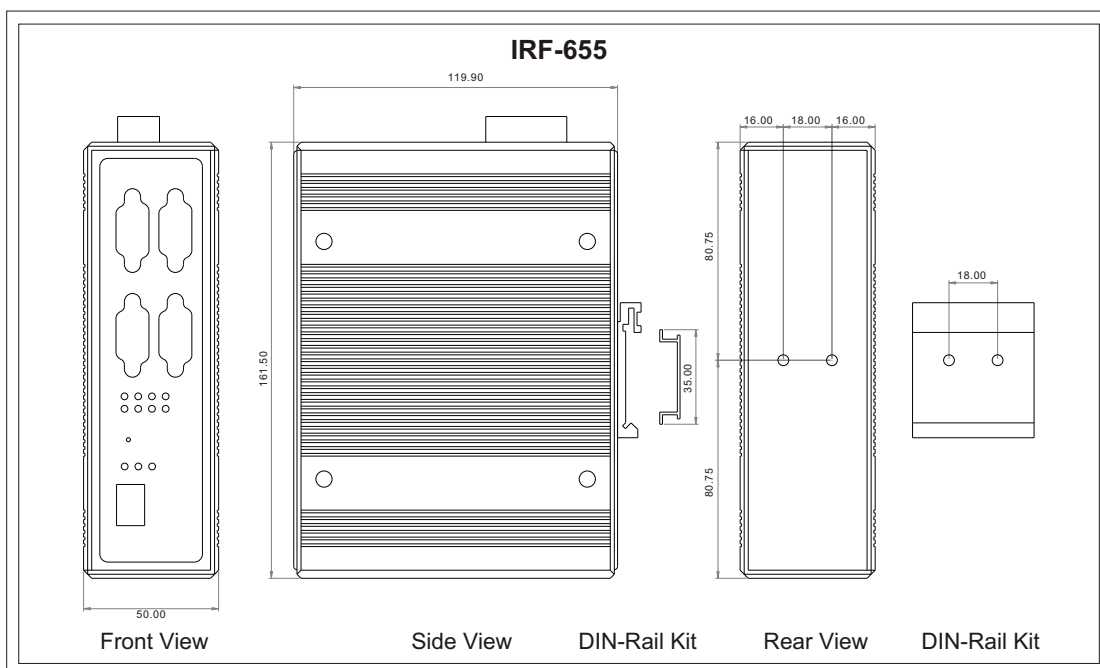
FCC Part 15 of Class A & CE Approved

### Weight:

780g

### Dimensions:

120 x 50 x 162 mm (D x W x H)



Unit=mm