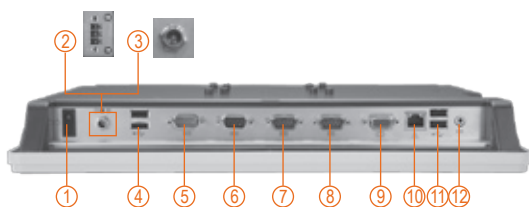


# GOT-5152T-830

15" XGA TFT Fanless Touch Panel Computer with Intel® Atom™ Processor N270



- |  |                           |
|--|---------------------------|
| 1. Power switch (ATX)  | 7. COM 1 (RS-232/422/485) |
| 2. Terminal block for DC power input or 3. Screw conn. w/ AC power adapter | 8. COM 2 (RS-232)         |
| 4. USB 2.0 x 2   | 9. VGA                    |
| 5. COM 4 (RS-232)  | 10. Ethernet              |
| 6. COM 3 (RS-232)  | 11. USB 2.0 x 2           |
|  | 12. Audio (Line-out)      |

## Features



- 15" XGA (1024 x 768) color TFT LCD display with LED backlight
- Fanless cooling system with Intel® Atom™ processor N270 1.6 GHz
- Ultra slim design: thickness 54.6mm
- Super light weight: 3.2 kg
- Easy for expansion: PCIe Mini Card slot
- Supports panel mount, wall mount, VESA mount, desktop stand (optional)
- RFID (optional)
- Over-current protection fuse



Side view



CompactFlash™ slot with protective cover

## Introduction

The GOT-5152T-830 is a 15" Intel® Atom™-based fanless touch panel computer. In response to market demand, this panel computer is a cost effective solution. It adopts a modern, super sleek and fanless design and is equipped with a 15" TFT LCD as well as Intel® Atom™ processor N270 1.6 GHz. For wireless network connection, the GOT-5152T-830 offers a mini card slot. By just plugging in the mini card WLAN card, customers can have instant access to wireless LAN/GPRS/GSM/3G environments. Besides, it provides two types of power input. One is DC power input (10-30VDC) with terminal block connector. The other is AC power adapter with screw type connector.

### Super slim & ultra light design

The GOT-5152T-830 is a super slim touch panel computer for space-limited environment with its thickness of 54.6mm and weight of 3.2 kg only, which make it installed everywhere.

### Built-in internal WLAN antenna

The GOT-5152T-830 provides a PCIe Mini Card slot and a built-in WLAN antenna for wireless network connections. By simply plugging in the wireless LAN card, customers can use the GOT-5152T-830 in a wireless LAN/GPRS/ GSM/3G environments.

### Excellent thermal solution: aluminum back chassis

With Axiomtek's patent for plastic plus aluminum mechanism design, the GOT-5152T-830 can dissipate the heat easily and keep the system operation stable.

## Specifications

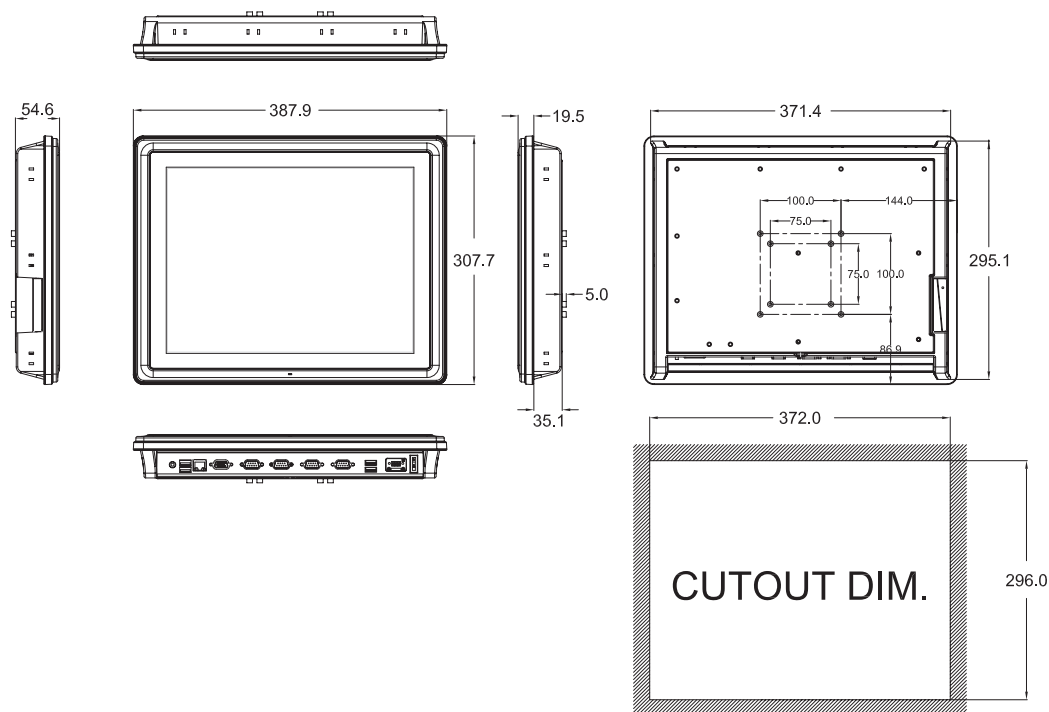
Front Bezel	IP65, NEMA 4 rugged protection, plastic front bezel	
LCD Panel	Display Type	15" XGA TFT LCD with LED backlight
	Brightness (cd/m <sup>2</sup> )	400 nits
	Resolution	1024 x 768
	Viewing Angel (H/V)	160° / 140°
Main System	CPU	Intel® Atom™ processor N270 1.6 GHz
	Chipset	Intel® 945GSE + ICH7M

System Memory	1 x 200-pin DDR2 SO-DIMM max. up to 2 GB
BIOS	AMI 8 Mbit with RPL/PXE LAN boot ROM
Storage	1 x 2.5" SATA HDD 1 x CompactFlash™
Watchdog Timer	255 levels, 0-255 sec.
Onboard Graphics	Integrated in Intel® 945GSE

I/O Connector	3 x RS-232 (COM 2/3/4) 1 x RS-232/422/485 (COM 1) 1 x VGA 1 x Audio (Line-out) 4 x USB 2.0 1 x 10/100/1000Mbps Ethernet
Expansion Interface	1 x PCIe Mini Card slot
Touchscreen	Resistive type
Power Input	1. DC version: 10-30VDC with fuse over-current protection fuse 2. AC version: 100-240V AC-DC 60W power adapter
Dimensions	387.9 mm (15.27") (W) x 54.6 mm (2.14") (D) x 307.7 mm (12.11") (H)
Packing Dimensions	510 mm (20.08") (W) x 105 mm (4.13") (D) x 385 mm (15.16") (H)
Weight (net/gross)	3.2 kg (7.05 lb)
Environment	Operating temperature: 0°C - +50°C (32°F - 122°F) (with W.T. DRAM/HDD in airflow condition) 0°C - +45°C (32°F - 113°F) (with W.T. DRAM/HDD) Relative humidity: 10% - 95% @ 40°; non-condensing Operation vibration: 2G, 5 - 500Hz, random for CompactFlash™
Certification	CE-EMC class A (GOT-5152T-830) CE-EMC class B, UL60950-1 (GOT-5152T-830-J)

\* Specification and certifications are based on options and may vary.  
\*\* W.T.: Wide Temperature. All W.T. supported products have to be sorted by Axiomtek.

## Dimensions



## Ordering Information

GOT-5152T-830	15" Intel® Atom™ N270 fanless touch panel computer with terminal block connector
GOT-5152T-830-J	15" Intel® Atom™ N270 fanless touch panel computer with screw type connector & AC-DC 60W power adapter
E225840102	Desktop stand
Wireless kit	802.11 b/g wireless LAN kit

\* Specification and certifications are based on options and may vary.

## Optional EOS Installation

Windows® XP Embedded  
Windows® CE.NET

## Optional OS Installation

Windows® XP



Desktop stand



AC power adapter (for GOT-5152T-830-J)

Overview

Industrial Panel Computers & Monitors

Heavy-duty Fanless Touch Panel Computers

Digital Signage Solutions

Healthcare & Medical Solutions

Open Frame Panel Computers

Accessories