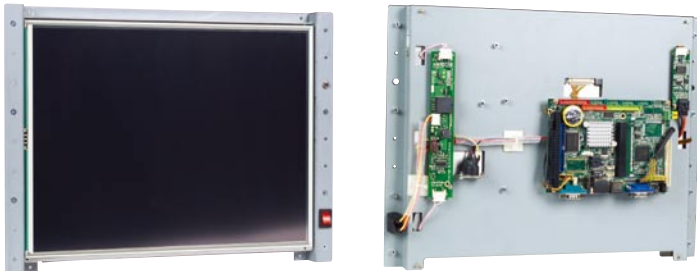


Open Frame Panel PC

VOX-150-TS

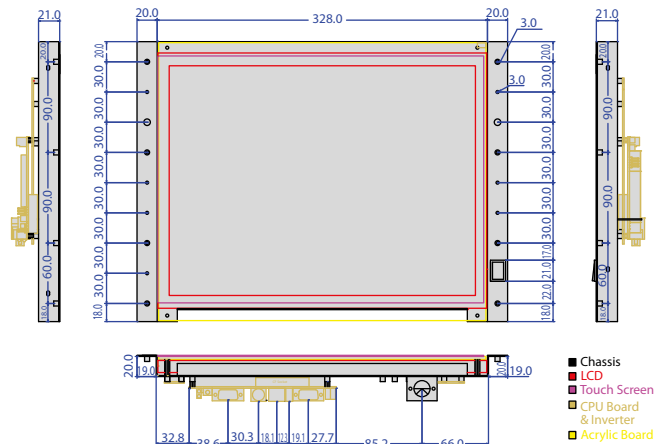
15" Open Frame Panel PC with Embedded Board and Touch Screen



Features

- 15" TFT LCD (AU0 G150XG01)
- VDX-6328 3.5" CPU Module
- 256MB DDR2 Onboard
- 4-Wire Resistive Touch Screen
- Metal chassis
- AC/DC Power Adapter

Dimensions



Ordering Information

VOX-150-TS 15" Thin Frame Panel PC w/VDX-6328, USB Touch Screen, and Power adapter

Assembly P/N	Description
VOX-AU15	AU15" Metal chassis and accessory cables
LCD-AU15"-U-SET	LCD set w/AU15", Backlight Inverter, LVDS Cable and USB Touch Screen
VDX-6328	Vortex86DX 3.5" CPU Module with 256MB DDR2
PS-047A-3Y	47W Power Adapter

VOX-150 15" Thin Frame Panel PC w/VDX-6328 and Power adapter

Assembly P/N	Description
VOX-AU15	AU15" Metal chassis and accessory cables
LCD-AU15"-SET	LCD set w/AU15", Backlight Inverter, and LVDS Cable
VDX-6328	Vortex86DX 3.5" CPU Module with 256MB DDR2
PS-047A-3Y	47W Power Adapter