



I-87017RCW-G

8-channel Analog Input Module with High Over Voltage Protection

Analog Input

Features

- Support Current Input
- With a built-in resistor, Measuring The Current is As Simple As You Think!
- Changeable Sampling Rate
- Open Wire Detection
- 4 kV ESD Protection
- 3000 V_{oc} Intra-module Isolation
- RoHS Compliance
- A Wide Range of Operating Temperature: -25 °C ~ +75 °C



Introduction

I-87017RCW-G measures current only. Its user-friendly design saves a lot of work when measuring current due to a built-in resistor. Now, you can measure current directly! The sampling rate of I-87017RCW-G is changeable; there are fast mode and normal mode for your consideration. I-87017RCW-G also has qualification for 4 kV ESD protection as well as 3000 V_{oc} intra-module isolation.

Applications

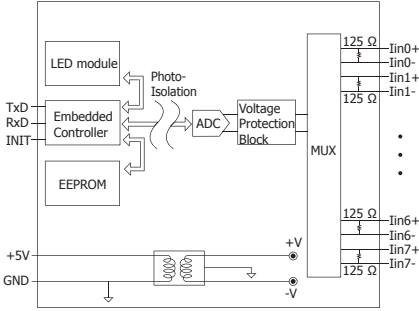
Current Measuring, Voltage Measuring, Environment Monitoring, Tunnel Monitoring, Building Monitoring etc.

I/O Specifications

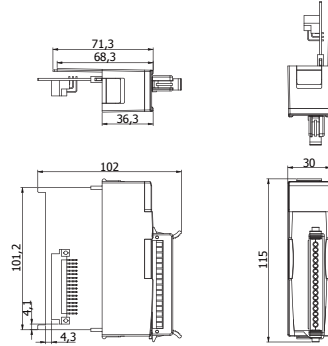
System Specifications

Analog Input		
Input Channels		8 (Differential)
Input Type		0 ~ +20 mA, +4 ~ +20 mA, -20 mA ~ +20 mA (No External Resistor Required)
Resolution	Normal Mode	16-bit
	Fast Mode	12-bit
Sampling Rate	Normal Mode	16-bit, 10 Samples/Sec. (Total)
	Fast Mode	12-bit, 60 Sample/Sec. (Total)
Accuracy	Normal Mode	+/-0.1% of FSR
	Fast Mode	+/-0.5% of FSR
-3dB Bandwidth		15.7 Hz
Zero Drift		+/-20 μV/°C
Span Drift		+/-25 μV/°C
Common Mode Rejection		86 dB
Normal Mode Rejection		100 dB
Input Impedance		125 Ω
Common Voltage		-200 V _{oc} ~ +200 V _{oc}
Open Wire Detection		Yes
ESD Protection		+/-4 kV (Contact for each channel)
Intra-module Isolation, Field to Logic		3000 V _{oc}
LED Display		1 LED as Power/Communication Indicator 16 LEDs as High/Low Alarm Signals
Power Consumption		1.3 W Max.
Environment		
Operating Temperature		-25 °C ~ +75 °C
Storage Temperature		-30 °C ~ +75 °C
Humidity		5 ~ 95% RH, non-condensing
Dimensions		30 mm x 102 mm x 115 mm (W x L x H)

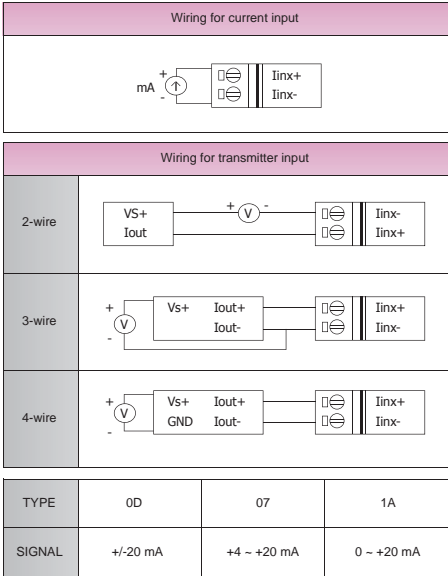
Internal I/O Structure



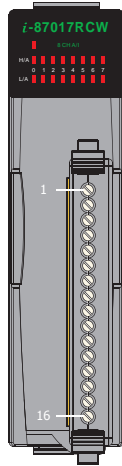
Dimensions (Unit: mm)



Wiring



Pin Assignments



Terminal No.	Pin Assignment
01	In0+
02	In0-
03	In1+
04	In1-
05	In2+
06	In2-
07	In3+
08	In3-
09	In4+
10	In4-
11	In5+
12	In5-
13	In6+
14	In6-
15	In7+
16	In7-

Ordering Information

I-87017RCW-G CR 8-channel Current Input Module (RoHS)

Related Products

Converters	USB, RS-232, Fiber Optical to RS-485 Converters and Repeaters
Power Supply	24 V _{dc} Power Supply
Relay Module	External Relay Modules for I-7000 DO Module

Learning Kit	Starter Learning Kit
Application Books	Application Books Designed with Our Products
Data Logger Software	User Friendly Data Logger Software (free)