

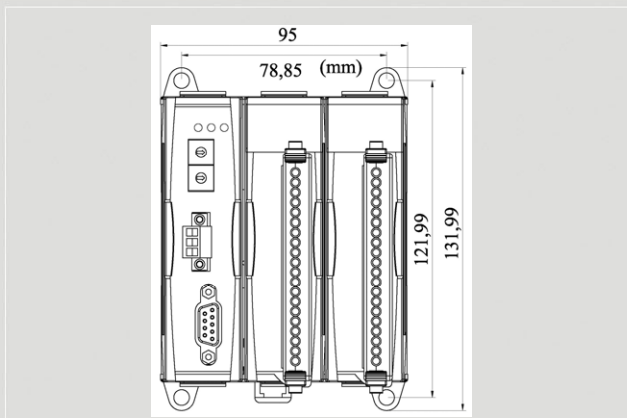


# PROFIBUS Series Products

## PROFIBUS Remote I/O Unit with 2 Expansion Slots



PROFI-8255



Dimensions

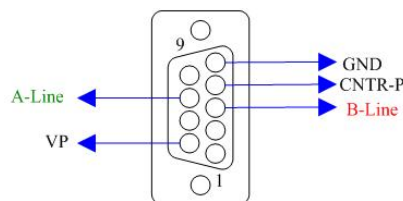
The PROFI-8255 Remote I/O Unit is specially designed for the slave device of PROFIBUS DP protocol. It supports up to 2 slots for ICPDAS I-8k series, I-87k Low Profile series, and I-87k High Profiles series I/O modules. In addition, we also provide hot-swap function for I-87k High Profiles series I/O modules. To setup network, users can choose and configure I/O modules by using the GSD file without any other setting tools.

### Features

- Protocol & hierarchy: DP-V0 Slave
- Detect transmission rate automatically (Max. 12Mbps)
- Support all I-8K & I-87K I/O Module.
- Support Device-Related & Channel-Related Diagnosis
- Address 0~126 set by rotary switches or SSA-Telegram.
- Support Hot-Swap for I-87K High-Profile Modules.
- Network Isolation Protection
- 3000VDC isolation protection on PROFIBUS side
- 4KV ESD Protection (contacting for any terminal).

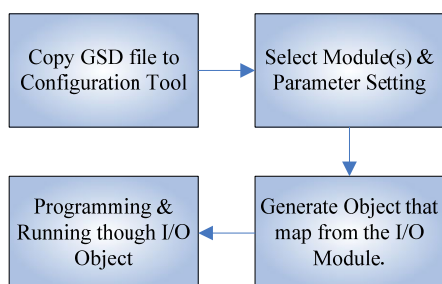
### Pin Assignments

Female D-Sub Connector



Pin No.	Signal	Meaning
3	B-Line	Receive/Transmit data - plus
4	CNTR-P	Repeater control signal, RTS signal
5	GND	Power ground of active terminator
6	VP	Power 5 volt of active terminator
8	A-Line	Receive/Transmit data - minus

### Design Flowchart



### Hot Swap & Auto-configuration

- Diagnostic Message report when module pulls.
- Auto-Reconfiguration issue when module plugs.

Hot Swap Auto-Configuration (I-87K High-Profile)

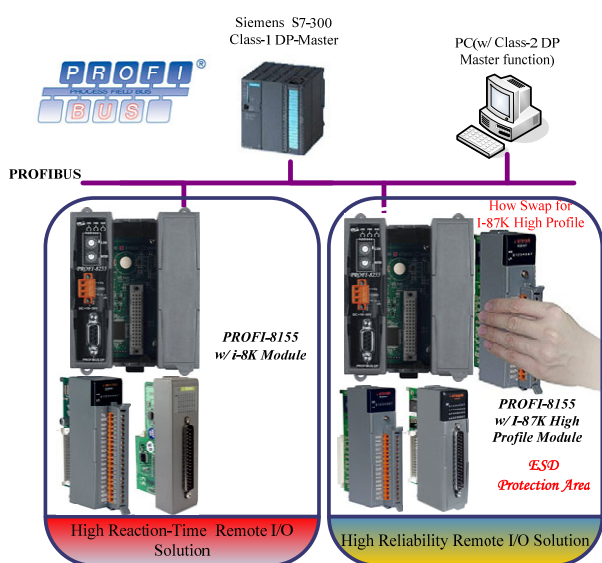


## Hardware Specifications

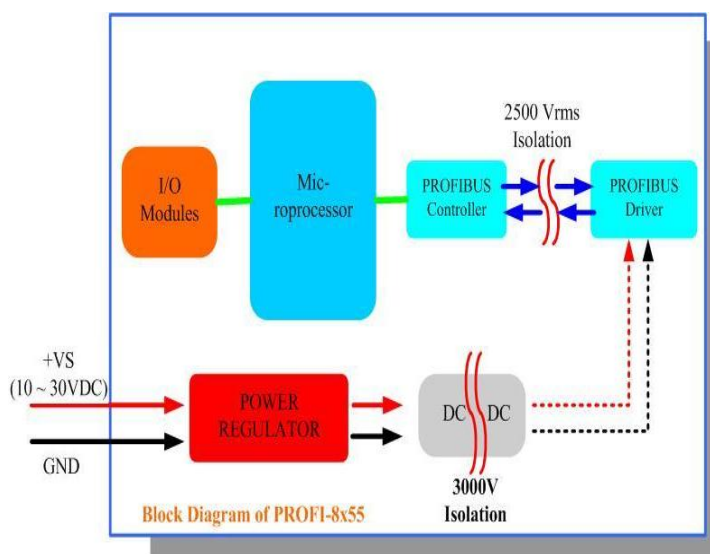
Item	PROFI-8255
CPU	80186, 80MHz
Flash	512K Bytes
SRAM	512K Bytes
EEPROM	2K Bytes
Watch Dog Timer	CPU Built-in
COM 1	On-Board at JP1 (RS-232 for Update Firmware purpose). <i>Note 1.</i>
I/O Expansion Slot	2 Slots
PROFIBUS Interface	9-pin D-Sub(Female)
PROFIBUS Controller	Siemens SPC3
PROFIBUS Transceiver	ADI ADM2486 iCoupler Isolated Transceiver
Transmission Rate	Up to 12Mbps
Power Requirement	10V ~ 30V
Power Supply	8W
Power Consumption	3W
Operating Temp.	-25°C ~ +75°C
Storage Temp.	-30°C ~ +85°C
Humidity	5% ~ 95% Non-condensing
Dimensions	95mm x 91mm x 132mm (W x D x H)

Note 1: CA-0904 : transform from 4-pin connector to 9-pin Female D-Sub connector.

## Application



## Diagram



## Ordering Information

<b>PROFI-8255 CR</b>	PROFIBUS Remote I/O Unit with 2 Expansion Slots (RoHS)
----------------------	--