

SG-770 Hardware User Guide *Ver 1.0*

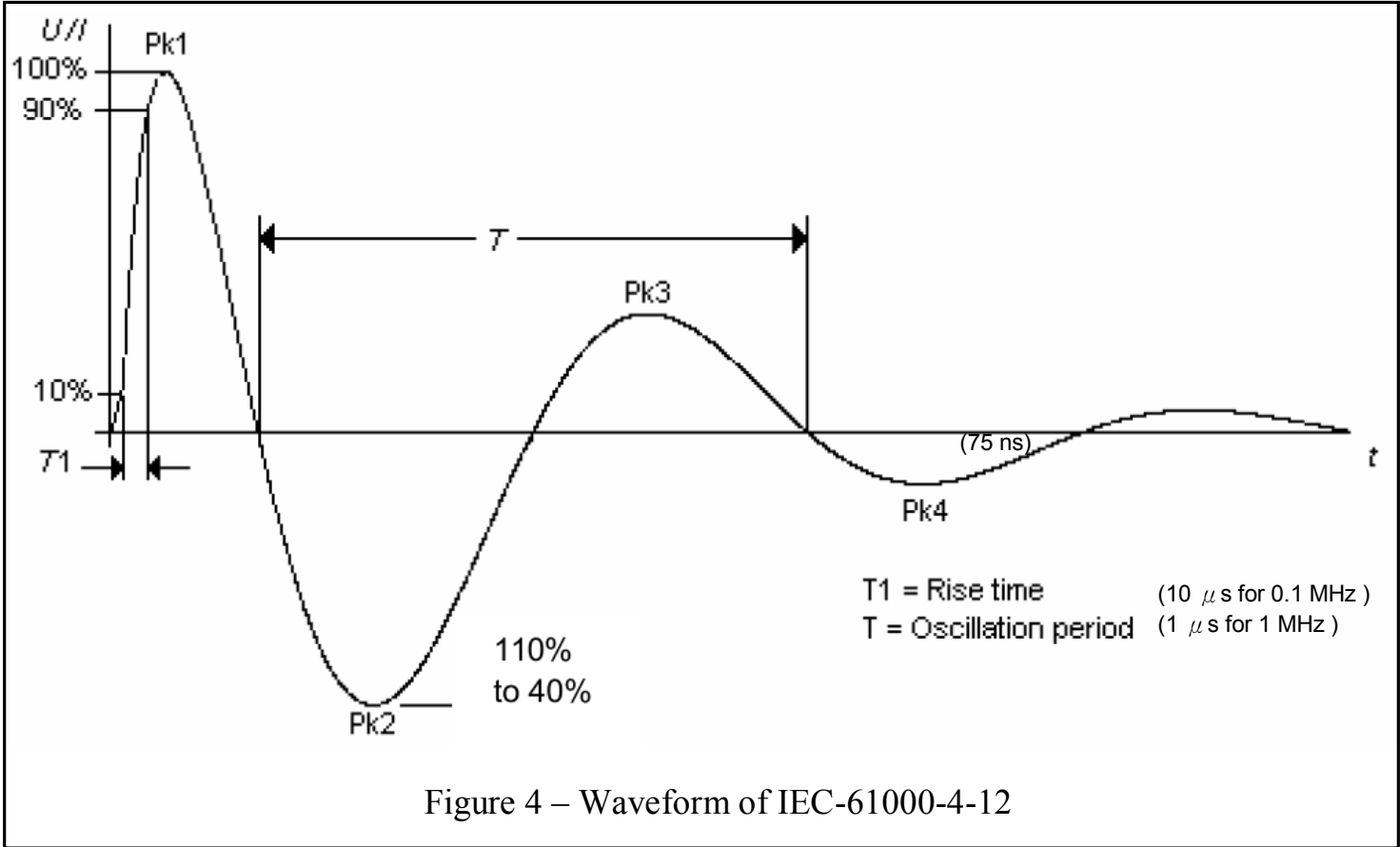
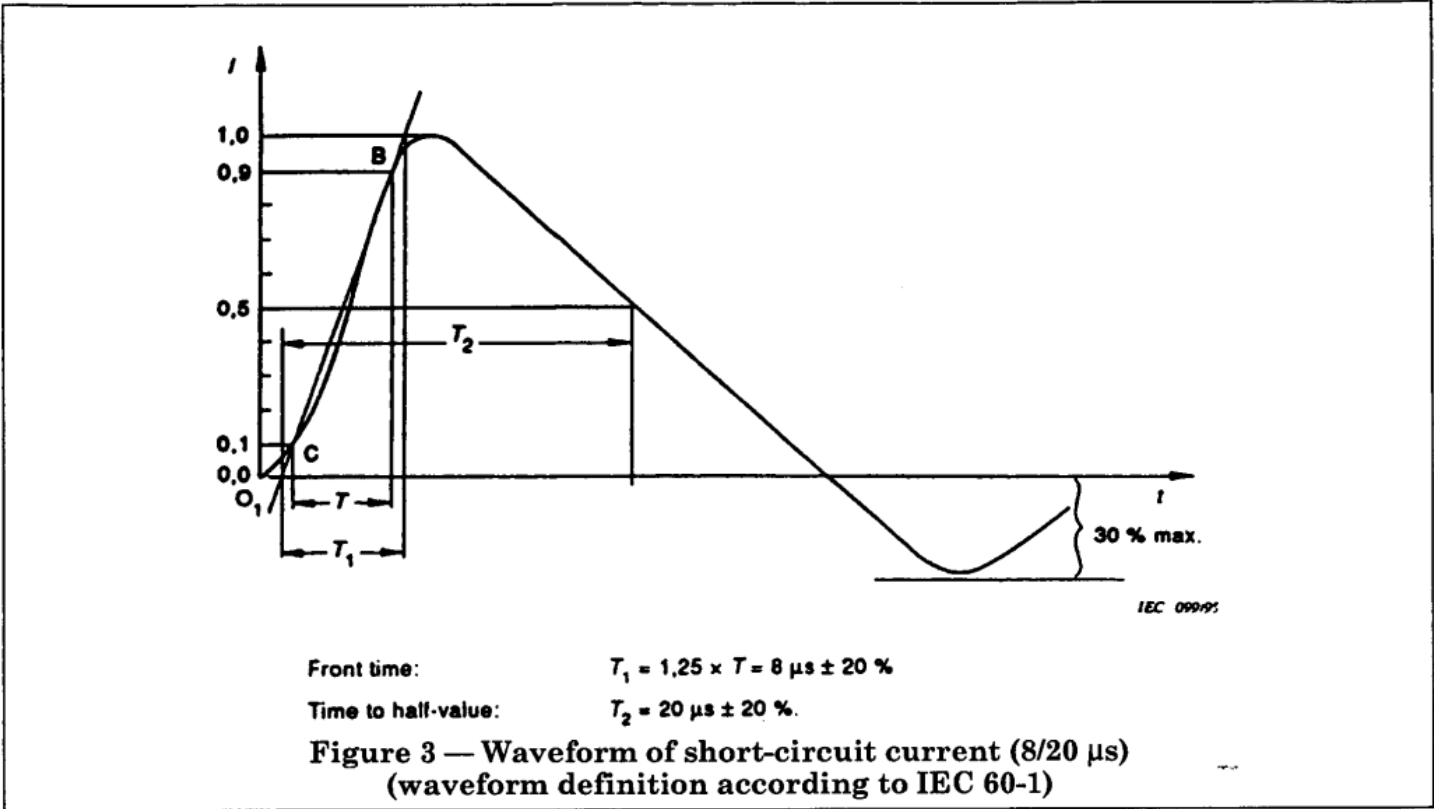
Last Modified 18/03/2009

SG-770 Specifications

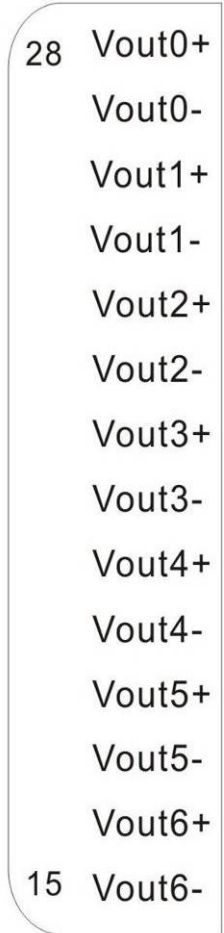
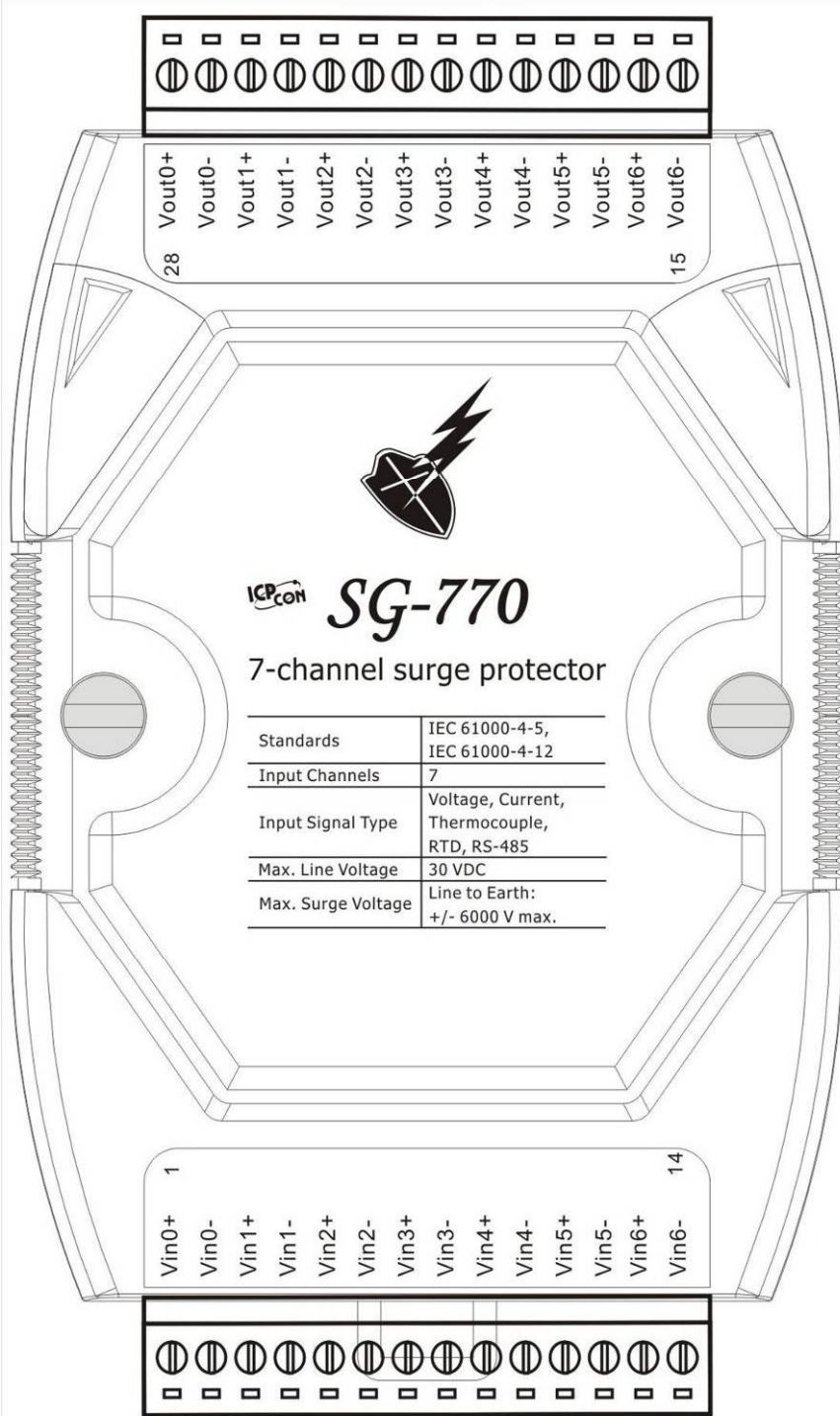
Specifications

General	
Standards	IEC 61000-4-5, IEC 61000-4-12
Input Channels	7
Input Signal Type	Voltage, Current, Thermocouple, RTD, RS-485
Max. Line Voltage	30 VDC
Protection Performance	
Surge Waveform	IEC 61000-4-5 <i>ref. Figure 3</i> IEC 61000-4-12 <i>ref. Figure 4</i>
Max. Surge Voltage	Line to Earth: +/- 6000 V max.
Environment	
Operating temperature	-25 °C ~ 75 °C
Storage temperature	-30 °C ~ 75 °C
Humidity	5 to 95% RH, non-condensing

Surge Waveform Type



SG-770 Pin Assignment



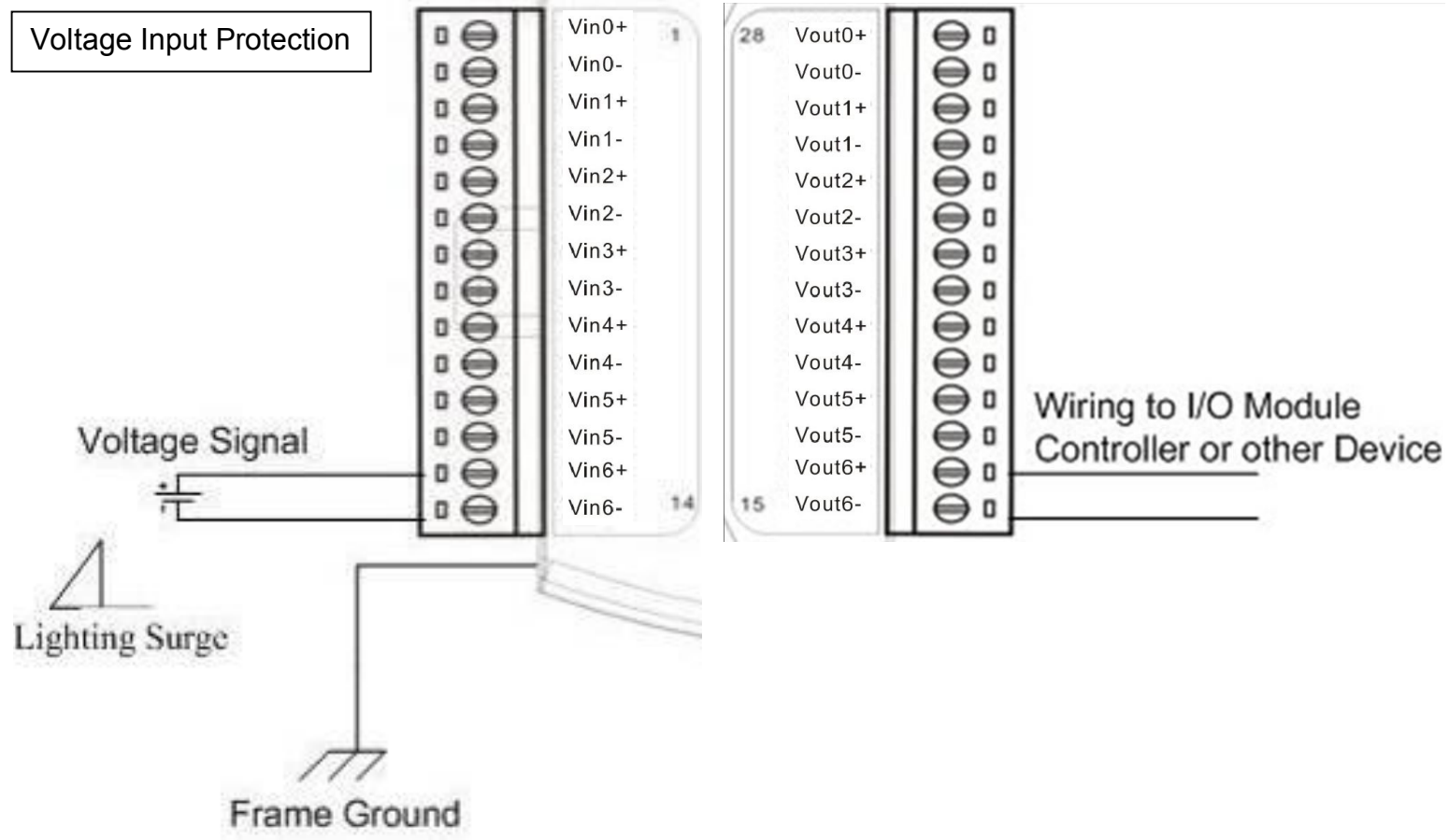
ICP CON SG-770

7-channel surge protector

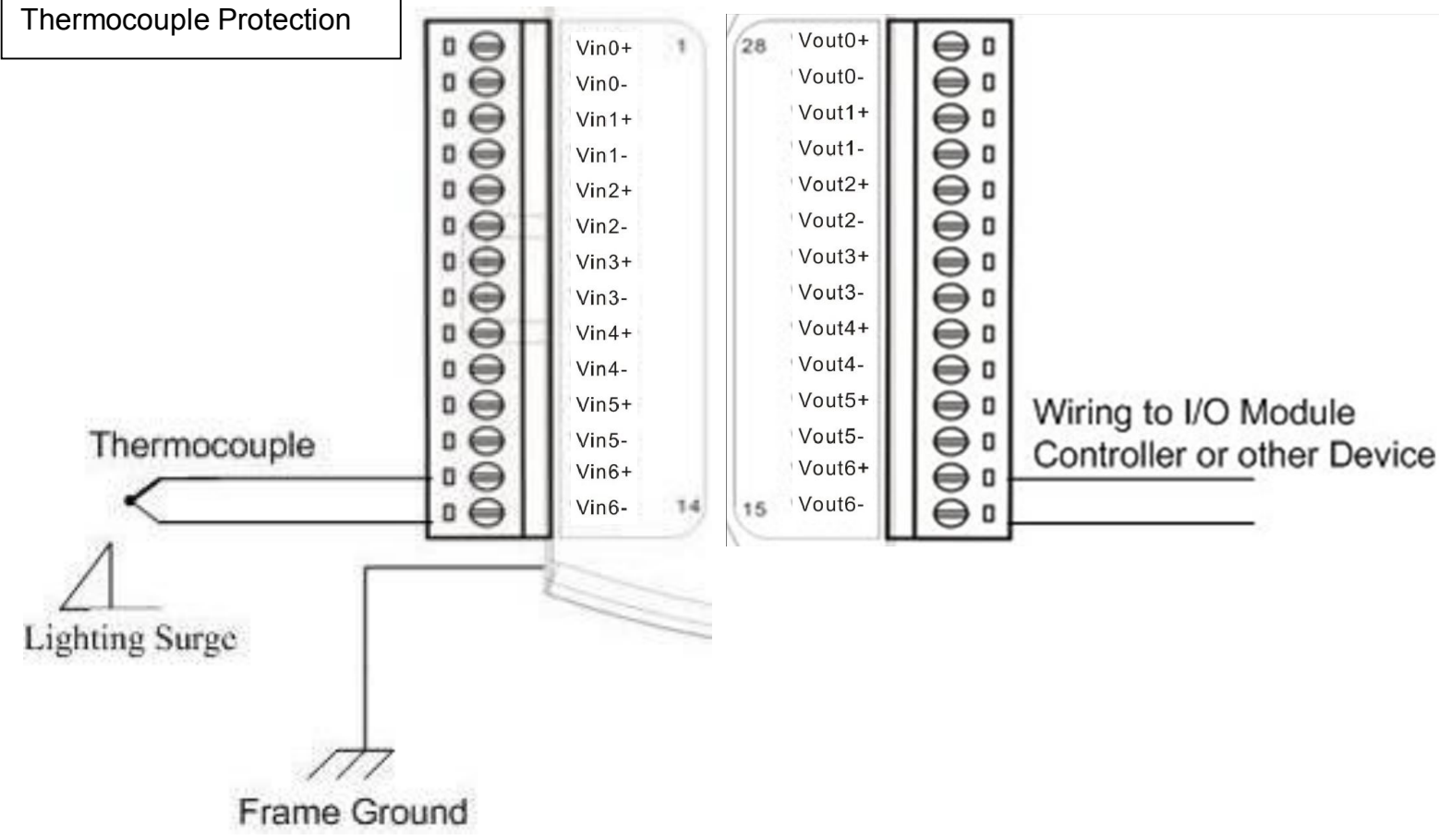
Standards	IEC 61000-4-5, IEC 61000-4-12
Input Channels	7
Input Signal Type	Voltage, Current, Thermocouple, RTD, RS-485
Max. Line Voltage	30 VDC
Max. Surge Voltage	Line to Earth: +/- 6000 V max.

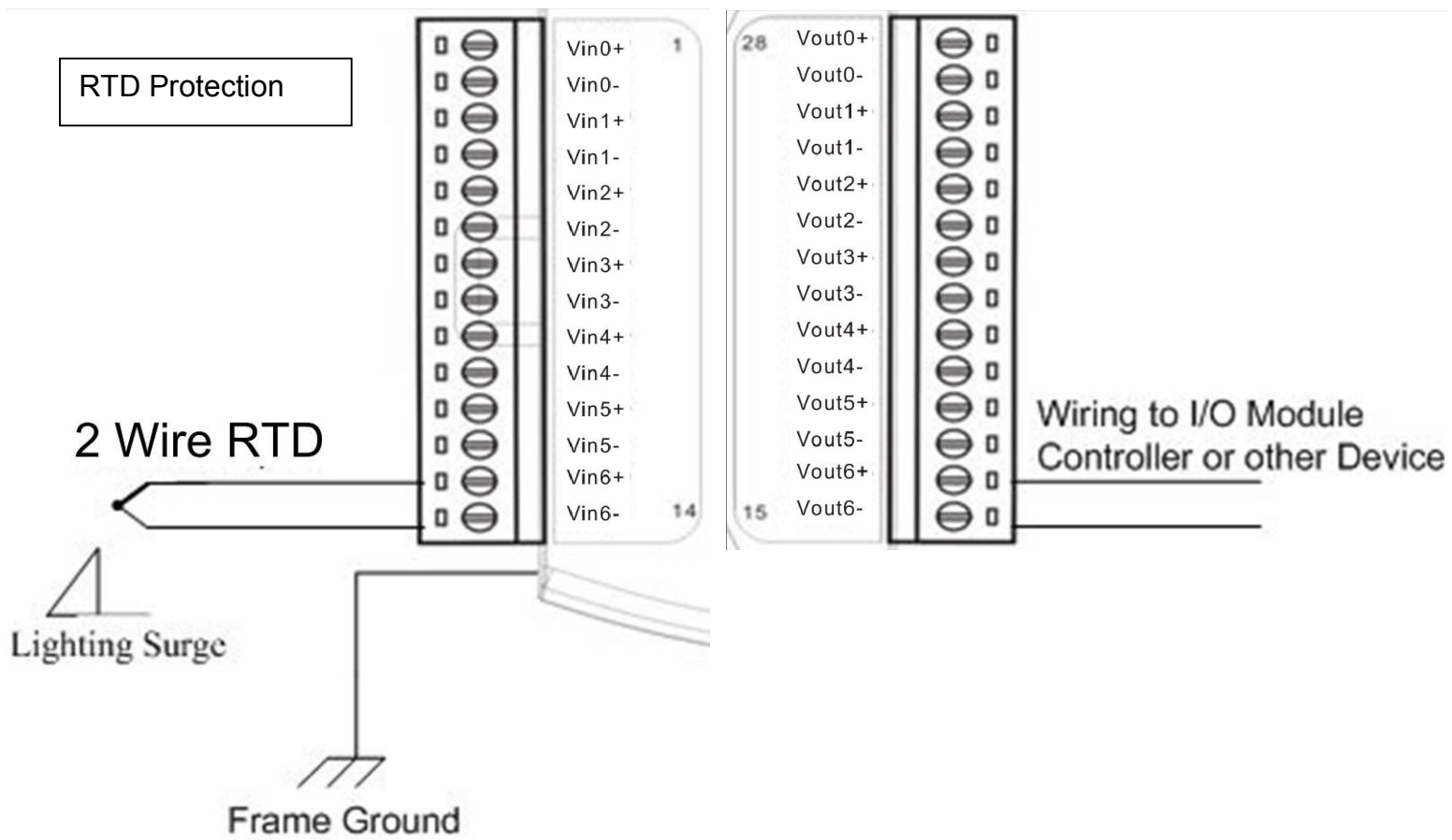
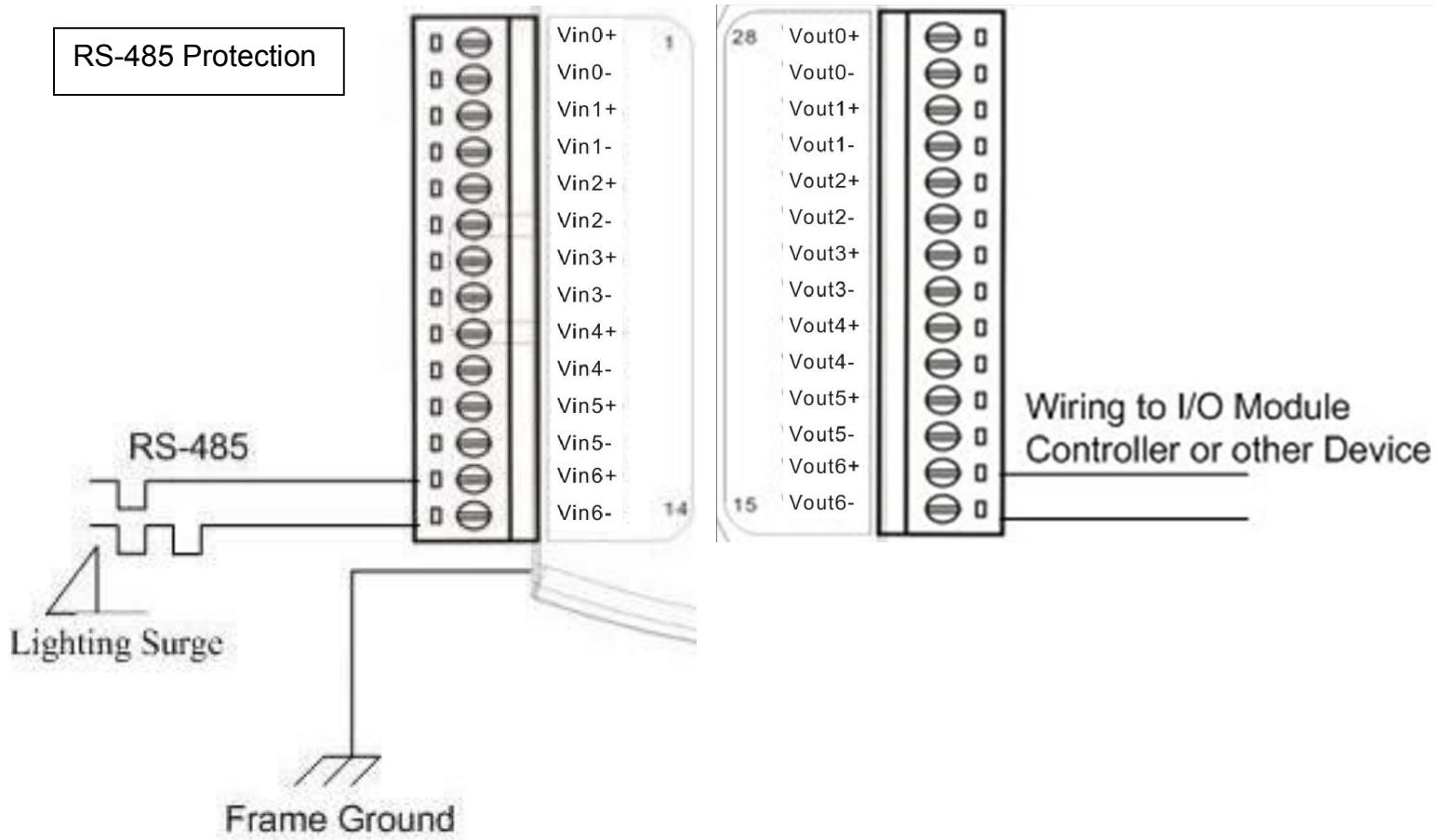
SG-770 Wire Co

Voltage Input Protection

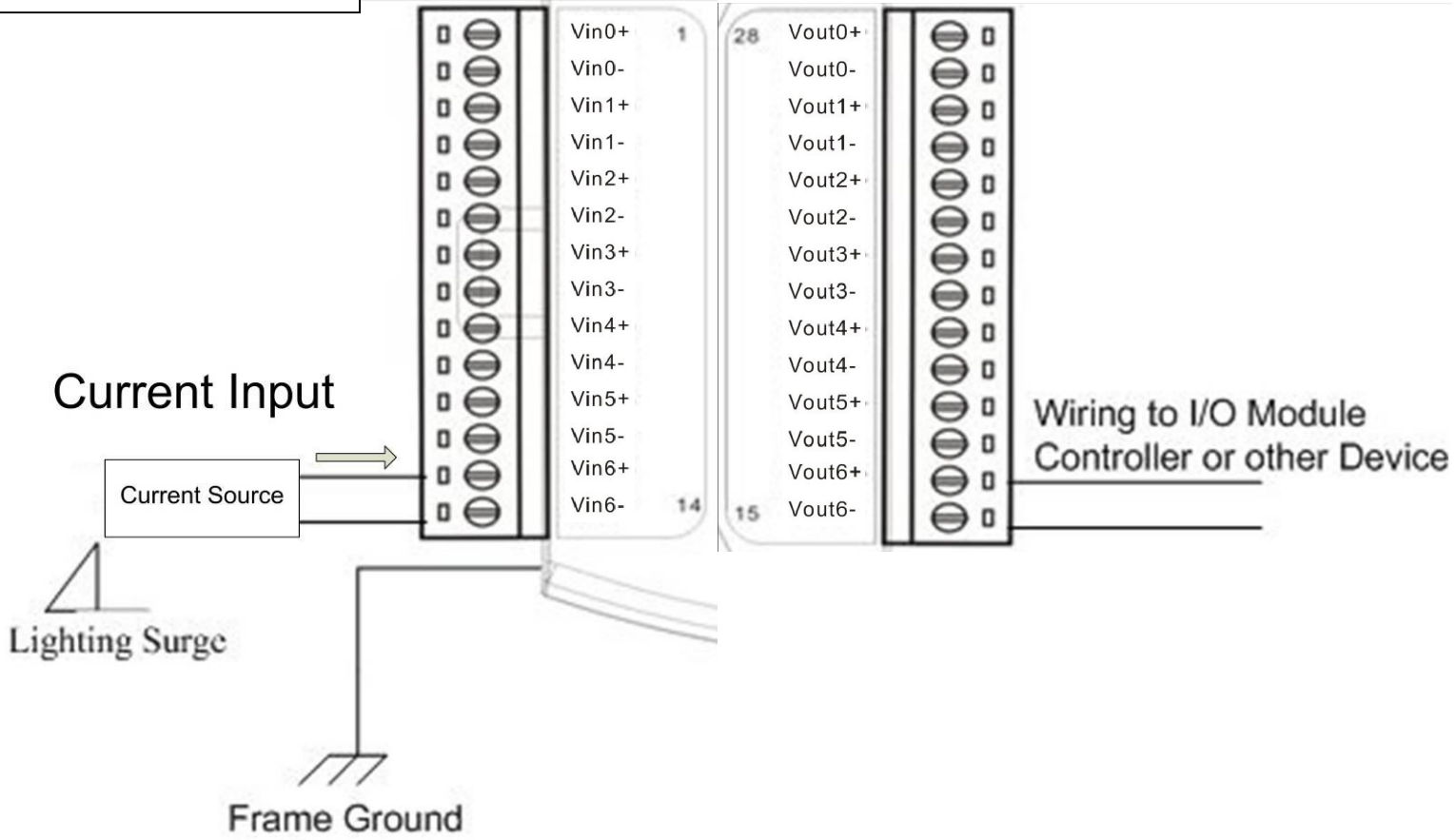


Thermocouple Protection

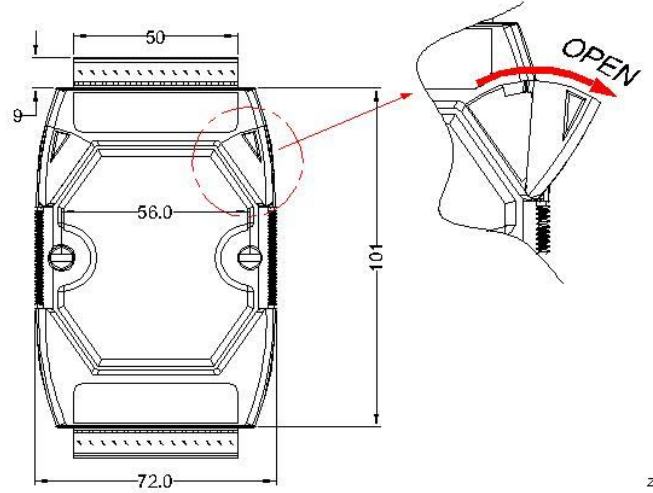
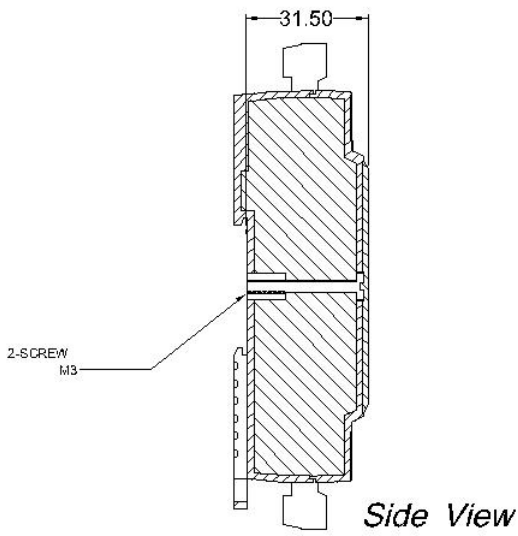




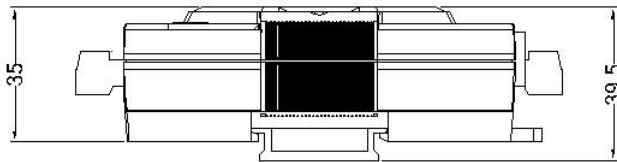
Current Input Protection



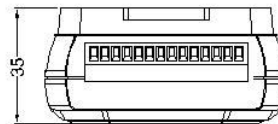
Dimensions



2

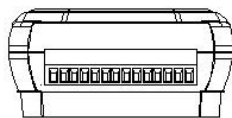


DIN-RAIL MOUNTING
BRACKET

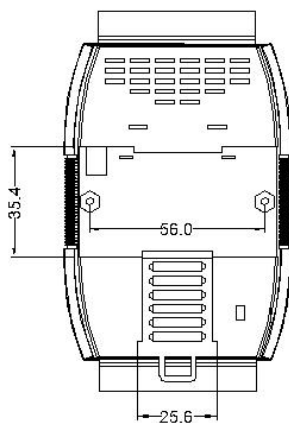


Bottom View

Unit : mm



Top View



Back View