



Introduction

The ZB-2017-T is a 16-bit, 8-ch differential analog inputs ZigBee wireless module that provides programmable input range on all analog channels (+/-100 mV, +/-500 mV, +/-1 V, +/-5 V, +/-10 V) . Each analog channel is allowed to configure an individual range and has 240 V_{rms} high overvoltage protection. Users can be easy to configure the module address, Protocol, Checksum, ZB-PID, ZB-ch and type code by rotary and DIP switch.

I/O Specifications

Analog Input		
Input Channel		8 Differential
Input Type		+/-10 V, +/-5 V, +/-1 8V, +/-500 mV, +/-150 mV, -20 mA ~ +20 mA (Requires Optional External 125 Ω Resistor)
Resolution	Normal Mode	16-bit
	Fast Mode	12-bit
Sampling Rate	Normal Mode	16-bit, 10 Samples/Sec. (Total)
	Fast Mode	12-bit, 60 Sample/Sec. (Total)
Accuracy	Normal Mode	+/-0.1% of FSR
	Fast Mode	+/-0.5% of FSR
-3dB Bandwidth	Normal Mode	15.7 Hz
	Fast Mode	78.7 Hz
Zero Drift		+/-20 μV/°C
Span Drift		+/-25 ppm/°C
Common Mode Rejection		86 dB
Normal Mode Rejection		100 dB
Input Impedance		>2 MΩ
Overvoltage Protection		240 V _{rms}
Individual Channel Configurable		Yes
Intra-module Isolated, Field to Logic		3000 V _{oc}
ESD Protection		+/-4 kV Contact for each channel

Features

- ISM 2.4 GHz Operating Frequency
- Fully Compliant 2.4 G IEEE802.15.4/ZigBee Specifications
- Wireless Transmission Range up to 700 m (ZB-2550P/ZB-2570P)
- Wireless Transmission Range up to 100 m (ZB-2550/ZB-2570)
- GUI Configuration Software (Windows Version)
- 8 Differential AI (mV, V)
- Individual Channel Configuration
- Overvoltage Protection is up to 240 V_{rms}
- EFT and ESD Protection
- DIN-Rail Mount



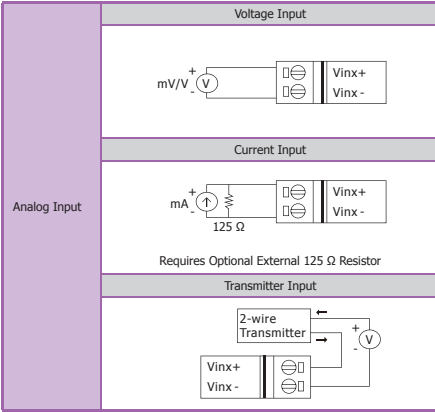
Applications

Building Automation, Factory Automation, Machine Automation, Remote Maintenance, Remote diagnosis, Testing Equipment.

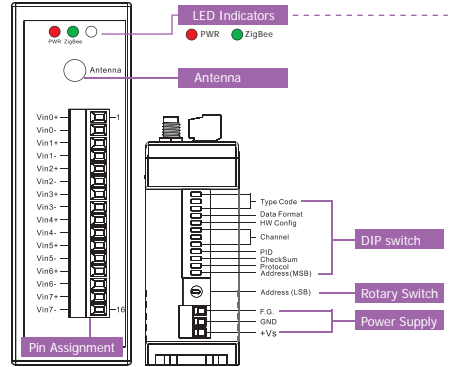
System Specifications

Communication Interface	
Wireless	ZigBee, IEEE 802.15.4 Standard
Antenna	2.4 GHz-3 dBi Omni-Directional antenna
Protocols	Supports DCON and Modbus RTU Protocols
Hot Swap	By Rotary and DIP switch
LED Indicators	
Power	1 LED, red
ZigBee Communication	1 LED, green
Power	
Power Consumption	1.7 W max.
Mechanical	
Flammability	Fire Retardant Materials (UL94-V0 Level)
Dimensions (W x L x H)	33 mm x 87 mm x 107 mm
Installation	DIN-Rail
Environment	
Operating Temperature	-25 °C ~ +75 °C
Storage Temperature	-30 °C ~ +80 °C
Humidity	10 ~ 90% RH, non-condensing

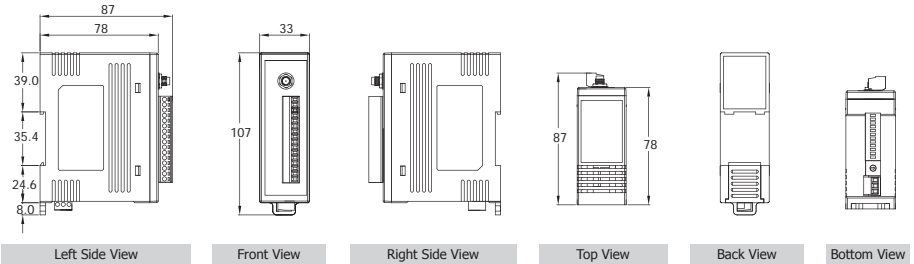
Wiring



Appearance



Dimensions (Unit: mm)



Ordering Information

ZB-2017-T CR	Wireless 8-ch Analog Input Module with High Voltage Protection (RoHS)
Important Note: The ZigBee AIO modules need a ZB-2570 to coordinate the data transmission route, please remember to also order a ZB-2570 when you purchase the ZB DIO products.	

Accessories

MDR-20-24	24 Vdc/1.0 A, 24 W Power Supply with DIN-Rail Mounting
ZB-2510 CR	ZigBee Repeater (RoHS)
ZB-2510P CR	High Power Amplifier ZigBee Repeater (RoHS)
ZB-2550 CR	RS-485/RS-232 to ZigBee Converter (Host) (RoHS)
ZB-2550P CR	RS-485/RS-232 to High Power Amplifier ZigBee Converter (Host) (RoHS)
ZB-2570 CR	Ethernet/RS-485/RS-232 to ZigBee Converter (Host) (RoHS)
ZB-2570P CR	Ethernet/RS-485/RS-232 to High Power Amplifier ZigBee Converter (Host) (RoHS)