

Available soon



## ZB-2026-T

 Wireless 4-ch Voltage Input,  
2-ch Voltage Output and 2-ch Digital Output Module

### Introduction

The ZB-2026-T offers 4-ch differential analog inputs, 2-ch analog output and 2-ch digital output ZigBee wireless module that provides programmable analog input and output range. Each analog input channel is allowed to configure an individual range and has 240 V<sub>rms</sub> high over voltage protection. There are options for power on value and Safe Value for your consideration. Users can be easy to configure the module address, Protocol, Checksum, ZB-PID, ZB-ch and type code by rotary and DIP switch.

### I/O Specifications

Analog Output		
Output Channel	2	
Output Type	0 Vdc ~ +10 Vdc	
Resolution	12-bit	
Accuracy	+/-0.1% of FSR	
Readback Accuracy	+/-1% of FSR	
Zero Drift	+/-30 μV/°C	
Span Drift	+/-25 ppm/°C	
Programmable Output Slope	0.0625 ~ 512 V/Sec.	
Voltage Output Capability	20 mA @ 10 V	
Power-Up and SafeValue	Yes	
Intra-module Isolated, Field to Logic	2500 Vdc	
ESD Protection	+/-4 kV Contact for each channel	
Analog Input		
Input Channel	4 Differential	
Input Type	+/-10 V, +/-5 V, +/-1 V, +/-500 mV, +/-150 mV, -20 mA ~ +20 mA (Requires Optional External 125 Ω Resistor)	
Resolution	Normal Mode	16-bit
	Fast Mode	12-bit
Sampling Rate	Normal Mode	16-bit, 10 Samples/Sec. (Total)
	Fast Mode	12-bit, 60 Sample/Sec. (Total)
Accuracy	Normal Mode	+/-0.1% of FSR
	Fast Mode	+/-0.5% of FSR
-3dB Bandwidth	Normal Mode	15.7 Hz
	Fast Mode	78.7 Hz
Zero Drift	+/-20 μV/°C	
Span Drift	+/-25 ppm/°C	
Common Mode Rejection	86 dB	
Normal Mode Rejection	100 dB	
Input Impedance	>2 MΩ	
Overvoltage Protection	240 V <sub>rms</sub>	
Intra-module Isolated, Field to Logic	3000 Vdc	
ESD Protection	+/-4 kV (Contact for each channel)	

### Features

- ISM 2.4 GHz Operating Frequency
- Fully Compliant 2.4 G IEEE802.15.4/ZigBee Specifications
- Wireless Transmission Range up to 700 m (ZB-2550P/ZB-2570P)
- Wireless Transmission Range up to 100 m (ZB-2550/ZB-2570)
- GUI Configuration Software (Windows Version)
- 4-AI, 2-AO and 2-DO
- Individual Channel Configuration
- Overvoltage Protection is up to 240 V<sub>rms</sub>
- Surge and ESD Protection
- DIN-Rail Mount



### Applications

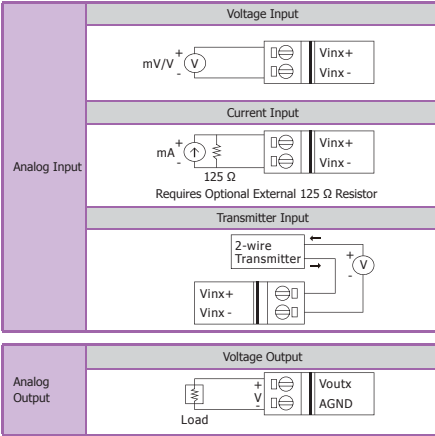
Building Automation, Factory Automation, Machine Automation, Remote Maintenance, Remote diagnosis, Testing Equipment.

Digital Output	
Output Channels	2 (Sink)
Output Type	Isolated Open Collector
Max. Load Current	700 mA/channel
Load Voltage	+5 Vdc ~ +50 Vdc
Intra-module Isolated, Field to Logic	3750 V <sub>rms</sub>
ESD Protection	+/-4 kV Contact for each channel

### System Specifications

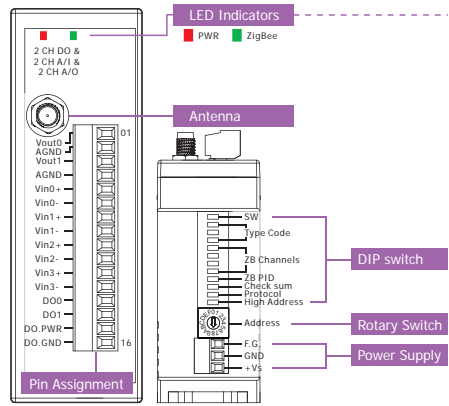
Communication Interface	
Wireless	ZigBee, IEEE 802.15.4 Standard
Antenna	2.4 GHz-3 dBi Omni-Directional antenna
Protocols	Supports DCON and Modbus RTU Protocols
Hot Swap	By Rotary and DIP switch
LED Indicators	
Power	1 LED, red
ZigBee Communication	1 LED, green
Power	
Power Consumption	2 W max.
Mechanical	
Flammability	Fire Retardant Materials (UL94-V0 Level)
Dimensions (W x L x H)	33 mm x 87 mm x 107 mm
Installation	DIN-Rail
Environment	
Operating Temperature	-25 °C ~ +75 °C
Storage Temperature	-30 °C ~ +80 °C
Humidity	10 ~ 90% RH, non-condensing

**Wiring**

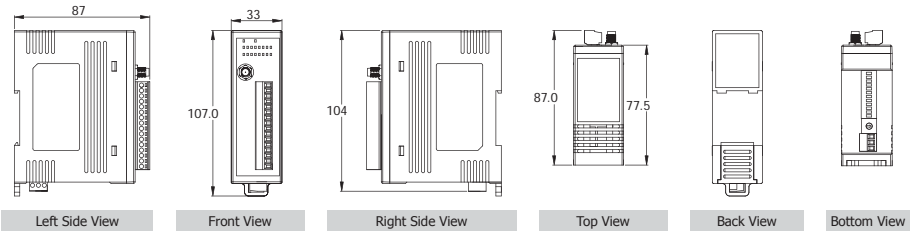


Digital Output	ON State LED ON Readback as 1	OFF State LED OFF Readback as 0
Drive Relay	Relay ON 	Relay OFF 
	DO, PWR DOx DO, GND	DO, PWR DOx DO, GND
Resistance Load	Relay ON 	Relay OFF 
	DO, PWR DOx DO, GND	DO, PWR DOx DO, GND

**Appearance**



**Dimensions (Unit: mm)**



**Ordering Information**

ZB-2026-T CR	Wireless 4-ch Voltage Input, 2-ch Voltage Output and 2-ch Digital Output Module (RoHS)
Important Note: The ZigBee AIO modules need a ZB-2570 to coordinate the data transmission route, please remember to also order a ZB-2570 when you purchase the ZB DIO products.	

**Accessories**

MDR-20-24	24 Voc/1.0 A, 24 W Power Supply with DIN-Rail Mounting
ZB-2510 CR	ZigBee Repeater (RoHS)
ZB-2510P CR	High Power Amplifier ZigBee Repeater (RoHS)
ZB-2550 CR	RS-485/RS-232 to ZigBee Converter (Host) (RoHS)
ZB-2550P CR	RS-485/RS-232 to High Power Amplifier ZigBee Converter (Host) (RoHS)
ZB-2570 CR	Ethernet/RS-485/RS-232 to ZigBee Converter (Host) (RoHS)
ZB-2570P CR	Ethernet/RS-485/RS-232 to High Power Amplifier ZigBee Converter (Host) (RoHS)