



~Available soon~



DS-715

Serial-to-Ethernet Device Servers

Features

- Networkable serial devices
- "Virtual COM" extend COM ports
- Supports Virtual COM on Windows NT 4.0, 2000/XP/2003 and Vista32
- Powerful device server
- Watchdog timer suitable for use in harsh environments
- 10/100 Base-Tx, RJ-45 port (Auto-negotiating, auto MDI/MDI-X, LED indicator)
- Power reverse polarity protection
- Serial port +/-4 kV ESD protection circuit
- Self-tuner ASIC controller on RS-485 port
- RoHS compliant with No Halogen
- Built-in MiniOS7 of ICP DAS
- ODM Wanted



Introduction

DS-700 series is a Serial-to-Ethernet Device Servers designed to meet the most common requirements of Internet/Ethernet applications. Besides the advantage of easy to use on remote control your serial devices through Ethernet network.

DS-700 series is designed for linking RS-232/422/485 devices to Ethernet network. With the help of VxComm utility, the built-in COM port of DS-700 can be virtualized to standard COM port of host-PC. By virtue of its independent operating system, protocol independence, small size and flexibility, Device servers are able to meet the demand of virtually any network-enable application. Most devices don't have network ports. Our Device Servers allow those devices to become connected to the network.

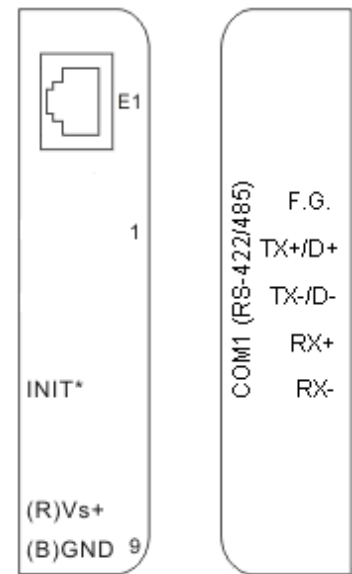
Applications

- Factory Automation
- Building Automation
- Home Automation

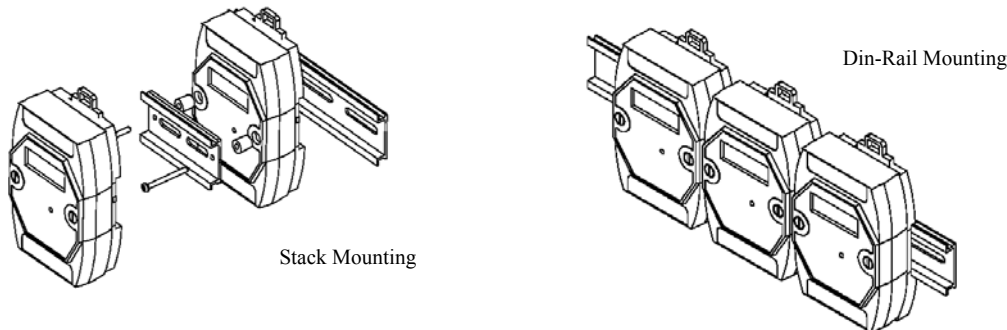
Specifications

CPU	
CPU	80186-80 MHz or compatible
SRAM	512 K bytes
Flash Memory	Flash ROM: 512 K Bytes
EEPROM	16 K byte; Data retention: 40 years.
Built-in Watchdog Timer	Yes
Communication Interface	
COM1	RS-422(TXD+, TXD-, RXD+, RXD-)/RS-485 (D2+, D2-); Isolation
Ethernet Port	10/100 Base-Tx, RJ-45 port (Auto-negotiating, auto MDI/MDI-X, LED indicator)
COM Port Formats	
Data Bit	7, 8: for COM1
Parity	None, Even, Odd, Mark, Space
Stop Bit	1: for COM1
Baud Rate	115200 bps Max.
Mounting	
Din Rail Mount	Yes
Wall Mount	Yes
LED Display	
System LED Indicator	Yes
Mechanism	
Flammability	Fire Retardant Materials (UL94-V0 Level)
Dimension (W x L x H)	123 mm x 72 mm x 33 mm
Operating Environment	
Operating Temperature	-25 ~ +75 °C
Storage Temperature	-40 ~ +80 °C
Power	
Protection	Power Reverse Polarity Protection
Required Supply Voltage	+12 ~ +48 V _{DC} (non-regulated)
Power Consumption	2 W

Pin Assignment



Dimensions



Ordering Information

DS-715 CR Device Server with one RS-422/RS-485 port (RoHS)

Optional Accessories

GPSU06U-6	24 V/0.25 A (max) Power Supply (100 ~ 240 V _{AC} Input)
MDR-20-24 CR	24 V/1 A (max) Industrial DIN Rail Power Supply (Universal AC Input, RoHS)
NS-205 CR	Unmanaged 5-Port Industrial Ethernet Switch



GPSU06U-6



MDR-20-24 CR



NS-205 CR