



~ Will be available ~



PDS-742-IP67

4-port Programmable Device Servers with IP67

Features

- Networkable serial devices
- "Virtual COM" extend COM ports
- Supports Virtual COM on Windows NT 4.0, 2000/XP/2003 and Vista32
- Powerful programmable device server
- Watchdog timer suitable for use in harsh environments
- 10/100Base-TX Ethernet Controller (Auto-negotiating, Auto_MDIX, LED indicator)
- Power reverse polarity protection
- Serial port +/-4KV ESD protection circuit based on "REAL" testing result
- Self-tuner ASIC controller on RS-485 port
- Enables download of programs from PC
- RoHS compliant with No Halogen
- Built-in MiniOS7 of ICP DAS
- ODM Wanted
- Plastic casing with IP67



Introduction

PDS-742-IP67 Programmable Device Server is a special design for the toughest applications. It can be directly mounted to any machine or convenient flat surface. The rugged packaging and IP67 connectors are rated to protect against water, oil, dust, vibration, and much more.

BS EN 60529:1992 defines the degrees of protection provided by enclosures classified under the International Protection (IP) Code and the test conditions are required to meet these classifications.

Applications

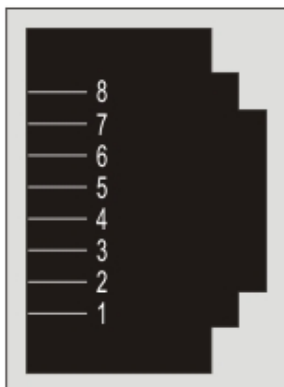
- Factory Automation
- Building Automation
- Home Automation

Specifications

CPU	
CPU	80186-80MHz or compatible
SRAM	512K bytes
Flash Memory	Flash ROM: 512K Bytes ; Erase unit is one sector (64K bytes) ; 100,000 erase/write cycles
EEPROM	16K byte; Data retention: 40 years; 1,000,000 erase/write cycles.
Built-in Watchdog Timer	Yes
Communication Interface	
COM1, COM3, COM4	RS-232(TXD, RXD, RTS, CTS, GND); None-isolation
COM2	RS-485(Data+,Data-); 2500 Vrms Isolation
Ethernet Port	10/100M Base-Tx Ethernet Controller (Auto-negotiating, Auto_MDIX, LED indicator)
COM Port Formats	
Data Bit	7, 8: for COM1,COM2 ; 5, 6, 7: for COM3 ~ COM4
Parity	None, Even, Odd, Mark, Space
Stop Bit	1: for COM1, COM2 ; 1, 2: for COM3 ~ COM4
Baud Rate	115200 bps Max.
Mounting	
Wall Mount	PDS-742-IP67
Din Rail Mount	PDS-742-IP67/DIN CR
LED Display	
System LED Indicator	Yes
Mechanical	
Case	Plastic
Flammability	Fire Retardant Materials (UL94-V0 Level)
Dimension	85mm x 126mm x 75.5mm (W x H x D)
Environmental rating	Protection rating IP67 for Operating Temperature -10 °C~ +60°C Protection rating IP66 for Operating Temperature -40 °C~ +80°C
Operating Environment	
Operating Temperature	-10 °C~ +60°C (Protection rating IP67) -40 °C~ +80°C (Protection rating IP66)
Storage Temperature	-10 ~ +60°C (Protection rating IP67) -40 ~ +85°C (Protection rating IP66)
Ambient Relative Humidity	100% RH for Operating Temperature -10 °C~ +60°C 10% to 90% non-condensing for Operating Temperature -40 °C~ +80°C
Power	
Protection	Power Reverse Polarity Protection
Required Supply Voltage	+12 to +48V/DC (non-regulated)
Power consumption	2W for PDS-742-IP67

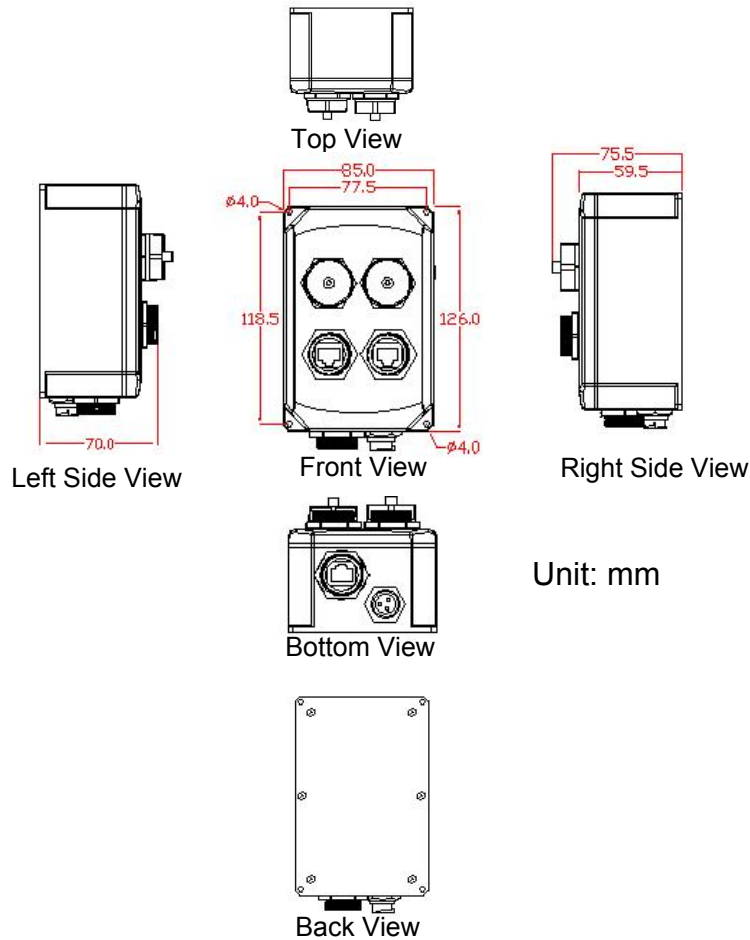
Pin Assignment

8-Pin RJ-45



Pin	5-Wire RS-232 COM1,COM3,COM4	3-Wire RS485 COM2
1	-	-
2	RTS	-
3	GND	GND
4	TxD	-
5	RxD	Data+
6	-	Data -
7	CTS	-
8	-	-

Dimensions



Ordering Information

PDS-742-IP67 CR	Programmable Device Server with three RS-232, one RS-485 ports and IP67 casing. (RoHS)
PDS-742-IP67/DIN CR	Programmable Device Server with three RS-232, one RS-485 ports and IP67 casing. (RoHS) (With DIN-Rail mounting)

Optional Accessories

GPSU06-6	24V/0.25A(Max) Power Supply(100~240VAC Input)
MDR-20-24 CR	24V/1A (max) Industrial DIN Rail Power Supply (Universal AC Input, RoHS)
NS-205 CR	Unmanaged 5-Port Industrial Ethernet Switch



GPSU06-6



MDR-20-24 CR



NS-205 CR