

# PISO-813

---

## User's Manual

### **Warranty**

All products manufactured by ICP DAS are warranted against defective materials for a period of one year from the date of delivery to the original purchaser.

### **Warning**

ICP DAS assume no liability for damages consequent to the use of this product. ICP DAS reserves the right to change this manual at any time without notice. The information furnished by ICP DAS is believed to be accurate and reliable. However, no responsibility is assumed by ICP DAS for its use, nor for any infringements of patents or other rights of third parties resulting from its use.

### **Copyright**

Copyright 1999 by ICP DAS. All rights are reserved.

### **Trademark**

The names used for identification only may be registered trademarks of their respective companies.

# Tables of Contents

<b>1.</b>	<b>INTRODUCTION</b> .....	<b>4</b>
1.1	FEATURES .....	4
1.2	SPECIFICATIONS .....	5
1.3	ORDER DESCRIPTION .....	5
1.3.1	Options .....	5
1.3.2	PCI Data Acquisition Family.....	6
1.4	PRODUCT CHECK LIST .....	6
<b>2.</b>	<b>HARDWARE CONFIGURATION</b> .....	<b>7</b>
2.1	BOARD LAYOUT .....	7
2.2	A/D CONVERTER OPERATION .....	8
2.2.1	A/D Conversion Block Diagram .....	8
2.2.2	JP1: Analog Input Range Selection .....	8
2.2.3	JP2: Analog Input Polarity Selection.....	8
2.2.4	Setting Reference .....	9
2.2.5	A/D Operation Flow .....	9
2.3	PIN ASSIGNMENT .....	10
2.3.1	Analog Input Connector .....	10
2.3.2	JP9 Reserved .....	10
2.4	DAUGHTER BOARDS.....	11
2.4.1	DB-8325 Screw Terminal Board .....	11
2.4.2	DB-37/ DN-37 general purpose screwing .....	11
<b>3.</b>	<b>I/O CONTROL REGISTER</b> .....	<b>12</b>
3.1	HOW TO FIND THE I/O ADDRESS .....	12
3.1.1	PIO_DriverInit .....	13
3.1.2	PIO_GetConfigAddressSpace .....	14
3.1.3	Show_PIO_PISO.....	15
3.2	THE ASSIGNMENT OF I/O ADDRESS .....	16
3.3	THE I/O ADDRESS MAP.....	17
3.3.1	RESET\ Control Register .....	17
3.3.2	A/D Data Register .....	18
3.3.3	Multiplexer Channel Select Register.....	18
3.3.4	PGA Gain Code Register.....	19
3.3.5	A/D Trigger Control Register.....	19

<b>4.</b>	<b>DEMO PROGRAM .....</b>	<b>20</b>
4.1	PIO_PISO.....	21
4.1.1	PIO_PISO.EXE for Windows .....	22
4.2	DEMO1 .....	23

---

# 1. Introduction

The PISO-813 is a bus-type isolated 12-bit A/D board for the PCI bus for IBM or compatible PC. It features a 10KHz data acquisition under DOS and Windows. The PISO-813 provides 32 channels single-ended analog input. The isolation range of PISO-813 is increased to 3000Vdc. It is the most cost-effective isolated A/D board for the PCI bus in the world.

The PISO-813 has one 37-pin D-type connector. It can be installed in a 5V PCI slot and can support truly "Plug & Play".

---

## 1.1 Features

- 32 single-ended analog input channels
- 12 bit A/D convert
- 3000Vdc photo isolation protection
- Analog input range
  - Bipolar:  $\pm 10V$ ,  $\pm 5V$ ,  $\pm 2.5V$ ,  $\pm 1.25V$ ,  $\pm 0.625V$
  - Unipolar:  $0\sim 10V$ ,  $0\sim 5V$ ,  $0\sim 2.5V$ ,  $0\sim 1.25V$ ,  $0\sim 0.625V$
- Programmable gain control: 1, 2, 4, 8, 16
- 3000Vdc Isolation DC/DC converter build-in
- A/D trigger mode: software trigger
- A/D data transfer mode: polling
- PCI Bus
- One 37-pin D-type connector for isolated analog signal input
- SMD, short card
- Automatically detected by Windows 95/98/2000/XP

---

## 1.2 Specifications

### Analog Input Specifications

- No. of Channel: 32 single-ended
- Resolution: 12 bits
- Conversion rate: 10KS/s max.
- Input impedance: 10M $\Omega$
- Overvoltage protection:  $\pm 35V$
- Accuracy: 0.01% of reading  $\pm 1$  bit
- Linearity:  $\pm 1$  bit
- On chip sample & hold
- Zero drift:  $\pm 25$  PPM/ $^{\circ}C$  of FS max.

**Power Requirements: 860mA/+5V max.**

### General Environmental

- Operating temp.: 0~50 $^{\circ}C$
- Storage temp.: -20 $^{\circ}C$  ~ 70 $^{\circ}C$
- Humidity: 0~90% non-condensing
- Dimensions: 180mm $\times$ 105mm

---

## 1.3 Order Description

- PISO-813: 32 channels isolated analog input board with Window driver

---

### 1.3.1 Options

- DB-8325: Daughter board with signal conditioning circuitry
- DN-37: I/O connector block with DIN-Rail mounting and 37-pin D-type connector
- DB-37: 37-pin D-type connector pin to pin screw terminal for any 37 pin D-type connector of I/O board

---

## 1.3.2 PCI Data Acquisition Family

We provide a family of PCI-BUS data acquisition cards. These cards can be divided into three groups as follows:

**1. PCI-series: first generation, isolated or non-isolated cards**

PCI-1002/1202/1800/1802/1602: multi-function family, non-isolated

PCI-P16R16/P16C16/P16POR16/P8R8: D/I/O family, isolated

PCI-TMC12: timer/counter card, non-isolated

**2. PIO-series: cost-effective generation, non-isolated cards**

PIO-823/821: multi-function family

PIO-D156/D144/D96/D64/D56/D48/D24: D/I/O family

PIO-DA16/DA8/DA4: D/A family

**3. PISO-series: cost-effective generation, isolated cards**

PISO-813: A/D card

PISO-P32C32/P32A32/P64/C64/A64: D/I/O family

PISO-P8R8/P8SSR8AC/P8SSR8DC: D/I/O family

PISO-730730A: D/I/O card

PISO-DA2: D/A card

---

## 1.4 Product Check List

In addition to this manual, the package includes the following items:

- one piece of PISO-813 card
- one piece of company floppy diskette or CD
- one piece of release note

**It is recommended to read the release note firstly. All importance information will be given in release note as follows:**

1. where you can find the software driver & utility
2. how to install software & utility
3. where is the diagnostic program
4. FAQ

### **Attention!**

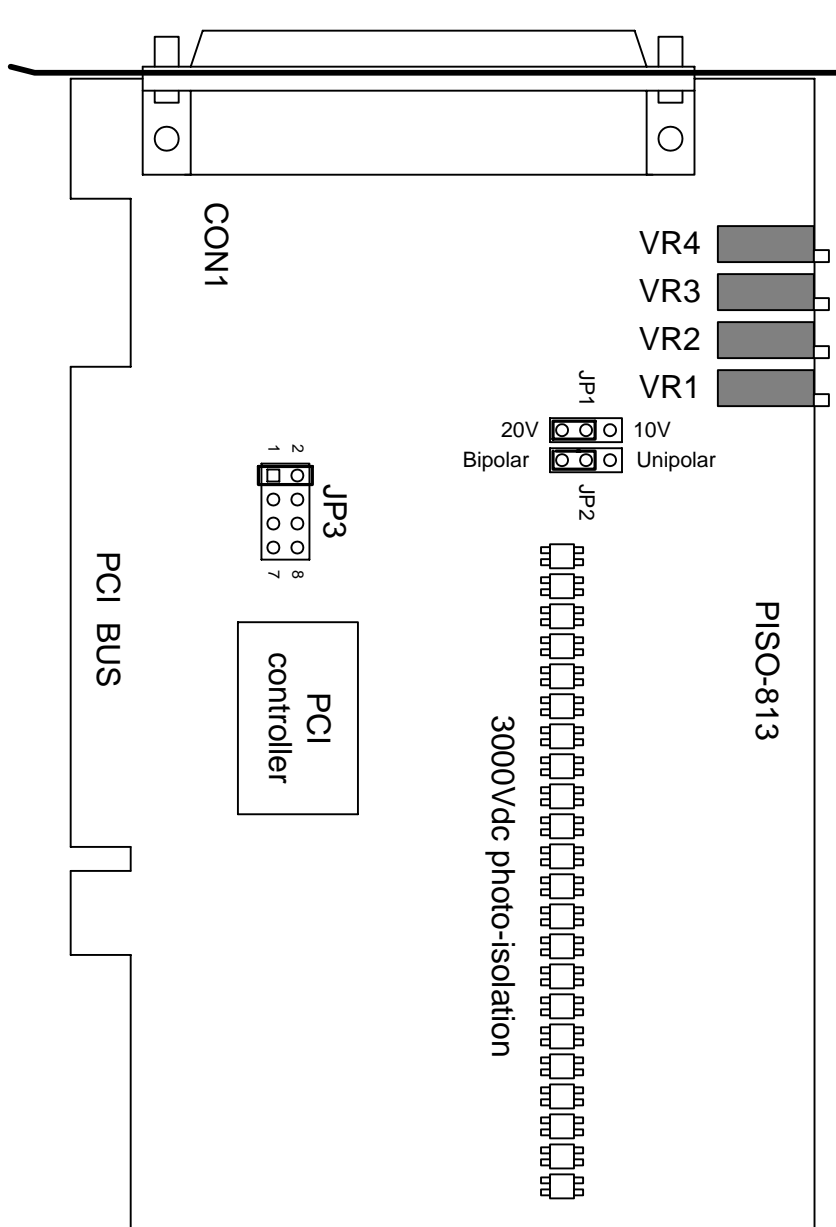
If any of these items is missing or damaged, contact the dealer from whom you purchased the product. Save the shipping materials and carton in case you want to ship or store the product in the future.

---

## 2. Hardware configuration

---

### 2.1 Board Layout



CON1: 32 channels analog input

JP1: Input range setting

JP2: Unipolar/Bipolar setting

JP3: Reserved

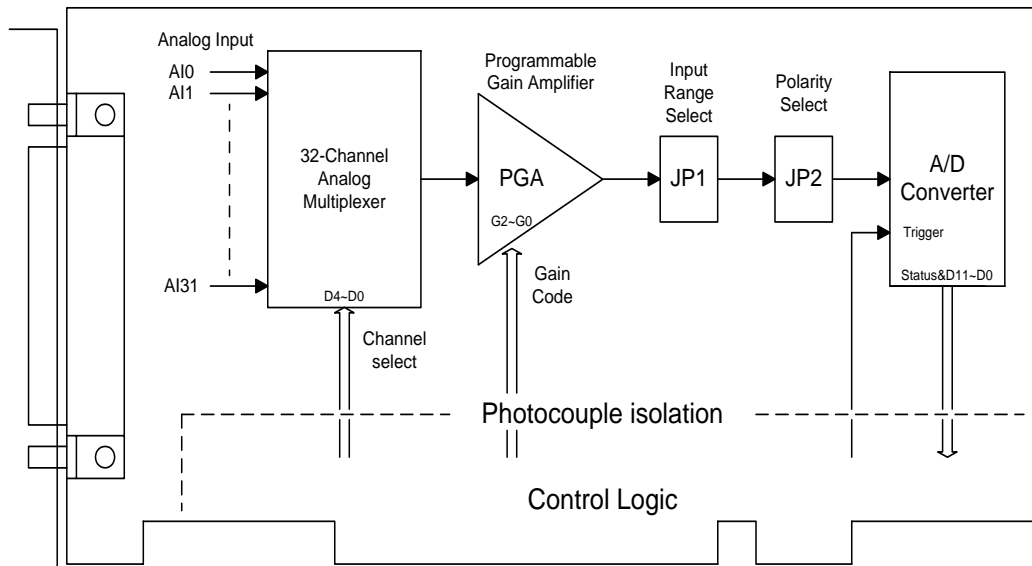
VR1~VR4: For manufacture calibration

---

## 2.2 A/D Converter Operation

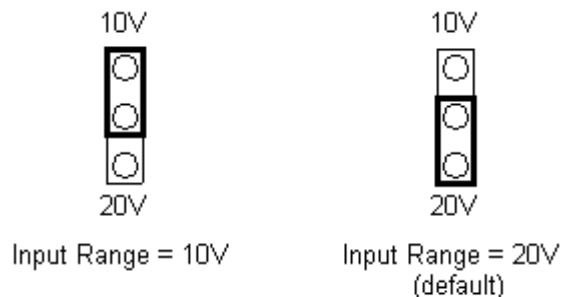
---

### 2.2.1 A/D Conversion Block Diagram



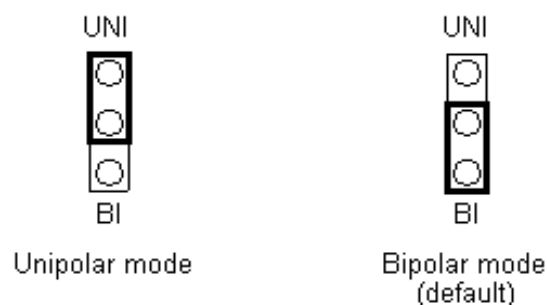
---

### 2.2.2 JP1: Analog Input Range Selection



---

### 2.2.3 JP2: Analog Input Polarity Selection





---

## 2.2.4 Setting Reference

Analog Input	JP2 Polarity Select	JP1 Range Select	Gain
-10V ~ +10V	Bipolar	20V	1
-5V ~ + 5V	Bipolar	20V	2
		10V	1
-2.5V ~ +2.5V	Bipolar	20V	4
		10V	2
-1.25V ~ +1.25V	Bipolar	20V	8
		10V	4
-0.625 ~ +0.625V	Bipolar	20V	16
		10V	8
0 ~10V	Unipolar	10V	1
0 ~ 5V	Unipolar	10V	2
0 ~ 2.5V	Unipolar	10V	4
0 ~ 1.25V	Unipolar	10V	8
0 ~ 0.625V	Unipolar	10V	16

**NOTE: Refer to Sec.3.3.4 for more information about gain setting**

---

## 2.2.5 A/D Operation Flow

- Step 1. Find address-mapping of PISO-813. (Refer to Sec.3.1)
- Step 2. Enable operation of PISO-813. (Refer to Sec.3.3.1)
- Step 3. Make sure the range and polarity of the analog input signal. Select suitable Setting as show in Sec.2.2.4.
- Step 4. Select input channel. (Refer to Sec.3.3.3)
- Step 5. delay 10 $\mu$ S. (for photocouple propagation delay and analog multiplexer settling time)
- Step 6. Trigger A/D converter. (Refer to Sec.3.3.5)
- Step 7. Delay 70 $\mu$ S. (for photocouple propagation delay and A/D conversion time)
- Step 8. Read high byte of A/D conversion data. Check the status of A/D converter until conversion ready. (Refer to Sec.3.3.2)
- Step 9. Read low byte of A/D conversion data. (Refer to Sec.3.3.2)
- Step10. A/D conversion complete.

**Refer to DEMO1.C**

---

## 2.3 Pin Assignment

---

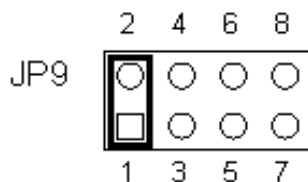
### 2.3.1 Analog Input Connector

CON1: 37-pin D-type female connector

Pin Number	Description	Pin Number	Description
1	AI0	20	AI1
2	AI2	21	AI3
3	AI4	22	AI5
4	AI6	23	AI7
5	AI8	24	AI9
6	AI10	25	AI11
7	AI12	26	AI13
8	AI14	27	AI15
9	AGND	28	AGND
10	AGND	29	AGND
11	AI16	30	AI17
12	AI18	31	AI19
13	AI20	32	AI21
14	AI22	33	AI23
15	AI24	34	AI25
16	AI26	35	AI27
17	AI28	36	AI29
18	AI30	37	AI31
19	AGND		×

---

### 2.3.2 JP9 Reserved



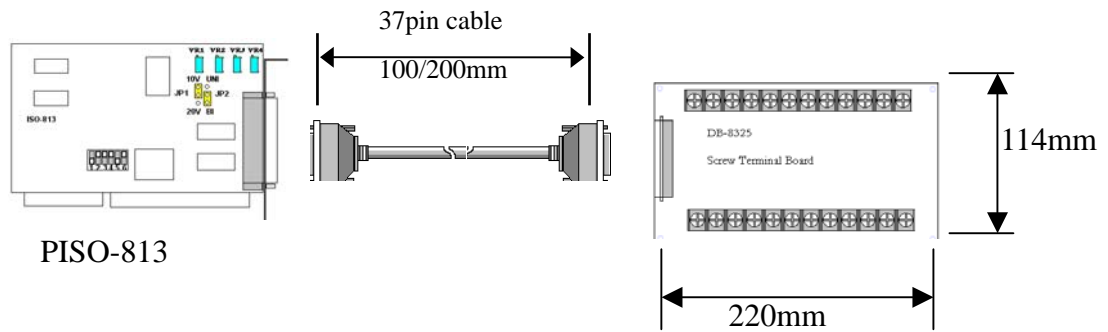
**Note: Reserved**

---

## 2.4 Daughter Boards

---

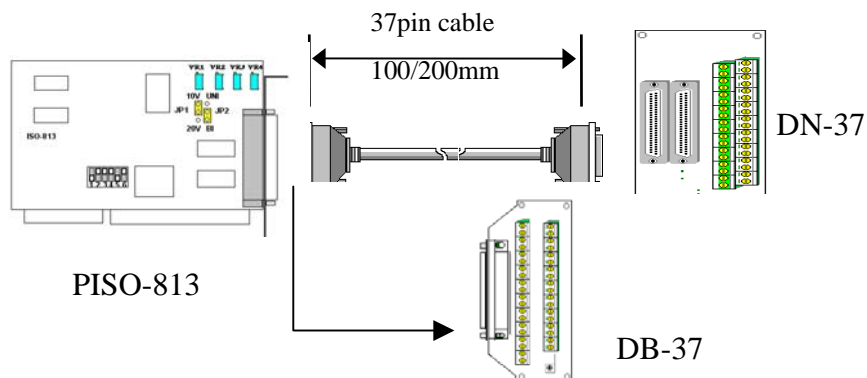
### 2.4.1 DB-8325 Screw Terminal Board



---

### 2.4.2 DB-37/ DN-37 general purpose screwing terminal board

The DB-37/DN-37 is a general purpose terminal board. The DB-37 is direct connect to a 37-pin D-sub connector, the DN-37 via 37-pin D-sub cable connection. It is suitable for easy signal connection and measurement.



---

## 3. I/O Control Register

---

### 3.1 How to Find the I/O Address

The plug & play BIOS will assign a proper I/O address to every PIO/PISO series card in the power-up stage. The fixed IDs of PIO/PISO series card are given as follows:

#### PISO-813

##### <Rev1.0>

- Vendor ID= 0xE159
- Device ID= 0x02
- Sub-Vendor ID= 0x80
- Sub-Device ID= 0x0A
- Sub-Aux ID= 0x00

##### <Rev2.0>

- Vendor ID= 0xE159
- Device ID= 0x01
- Sub-Vendor ID= 0x4280
- Sub-Device ID= 0x02
- Sub-Aux ID= 0x00

We provide all necessary functions as follows:

1. **PIO\_DriverInit(&wBoard, wSubVendor, wSubDevice, wSubAux)**
2. **PIO\_GetConfigAddressSpace(wBoardNo,\*wBase,\*wIrq, \*wSubVendor, \*wSubDevice, \*wSubAux, \*wSlotBus, \*wSlotDevice)**
3. **Show\_PIO\_PISO(wSubVendor, wSubDevice, wSubAux)**

All functions are defined in PIO.H. Refer to Chapter 4 for more information. The important driver information is given as follows:

#### 1. Resource-allocated information:

- wBase : BASE address mapping in this PC
- wIrq: IRQ channel number allocated in this PC

#### 2. PIO/PISO identification information:

- wSubVendor: subVendor ID of this board
- wSubDevice: subDevice ID of this board
- wSubAux: subAux ID of this board

#### 3. PC's physical slot information:

- wSlotBus: hardware slot ID1 in this PC's slot position
- wSlotDevice: hardware slot ID2 in this PC's slot position

The utility program, **PIO\_PISO.EXE**, will detect & show all PIO/PISO cards installed in this PC. Refer to Sec. 4.1 for more information.

---

## 3.1.1 PIO\_DriverInit

### PIO\_DriverInit(&wBoards, wSubVendor,wSubDevice,wSubAux)

- wBoards=0 to N → number of boards found in this PC
- wSubVendor → subVendor ID of board to find
- wSubDevice → subDevice ID of board to find
- wSubAux → subAux ID of board to find

This function can detect all PIO/PISO series card in the system. It is implemented based on the PCI plug & play mechanism-1. It will find all PIO/PISO series cards installed in this system & save all their resource in the library.

Sample program 1: find all PISO-813 in this PC

```
wSubVendor=0x80; wSubDevice=0xa; wSubAux=0x00; /* for PISO-813 */
wRetVal=PIO_DriverInit(&wBoards, wSubVendor,wSubDevice,wSubAux);
printf("Threr are %d PISO-813 Cards in this PC\n",wBoards);
/* step2: save resource of all PISO-813 cards installed in this PC */
for (i=0; i<wBoards; i++)
{
    PIO_GetConfigAddressSpace(i,&wBase,&wIrq,&wID1,&wID2,&wID3,
        &wID4,&wID5);
    printf("\nCard_%d: wBase=%x, wIrq=%x", i,wBase,wIrq);
    wConfigSpace[i][0]=wBaseAddress; /*save all resource of this card */
    wConfigSpace[i][1]=wIrq; /* save all resource of this card */
}
```

Sample program 2: find all PIO/PISO in this PC(refer to Sec. 4.1 for more information)

```
wRetVal=PIO_DriverInit(&wBoards,0xff,0xff,0xff); /*find all PIO_PISO*/
printf("\nThrer are %d PIO_PISO Cards in this PC",wBoards);
if (wBoards==0 ) exit(0);

printf("\n-----");
for(i=0; i<wBoards; i++)
{
    PIO_GetConfigAddressSpace(i, &wBase, &wIrq, &wSubVendor,
        &wSubDevice, &wSubAux, &wSlotBus, &wSlotDevice);

    printf("\nCard_%d:wBase=%x,wIrq=%x,subID=[%x,%x,%x],
        SlotID=[%x,%x]", i,wBase,wIrq,wSubVendor,wSubDevice,
        wSubAux,wSlotBus,wSlotDevice);
    printf(" --> ");
    ShowPioPiso(wSubVendor, wSubDevice, wSubAux);
}
```

---

## 3.1.2 PIO\_GetConfigAddressSpace

**PIO\_GetConfigAddressSpace(wBoardNo,\*wBase,\*wIrq, \*wSubVendor,  
\*wSubDevice, \*wSubAux, \*wSlotBus, \*wSlotDevice)**

- wBoardNo=0 to N → totally N+1 boards found by PIO\_DriveInit(...)
- wBase → base address of the board control word
- wIrq → allocated IRQ channel number of this board
- wSubVendor → subVendor ID of this board
- wSubDevice → subDevice ID of this board
- wSubAux → subAux ID of this board
- wSlotBus → hardware slot ID1 of this board
- wSlotDevice → hardware slot ID2 of this board

The user can use this function to save resource of all PIO/PISO cards installed in this system. Then the application program can control all functions of PIO/PISO series card directly.

The sample program source is given as follows:

```
/* step1: detect all PISO-813 cards first */
wSubVendor=0x80; wSubDevice=0xa; wSubAux=0x0; /* for PISO-813 */
wRetVal=PIO_DriverInit(&wBoards, wSubVendor,wSubDevice,wSubAux);
printf("Threr are %d PISO-813 Cards in this PC\n",wBoards);

/* step2: save resource of all PISO-813 cards installed in this PC */
for (i=0; i<wBoards; i++)
{
    PIO_GetConfigAddressSpace(i,&wBase,&wIrq,&t1,&t2,&t3,&t4,&t5);
    printf("\nCard_%d: wBase=%x, wIrq=%x", i,wBase,wIrq);
    wConfigSpace[i][0]=wBaseAddress; /* save all resource of this card */
    wConfigSpace[i][1]=wIrq; /* save all resource of this card */
}

/* step3: control the PISO-813 directly */
wBase=wConfigSpace[0][0]; /* get base address the card_0 */
output(wBase,1); /* enable all D/I/O operation of card_0 */

wBase=wConfigSpace[1][0]; /* get base address the card_1 */
output(wBase,1); /* enable all D/I/O operation of card_1 */
```

---

### 3.1.3 Show\_PIO\_PISO

#### Show\_PIO\_PISO(wSubVendor,wSubDevice,wSubAux)

- wSubVendor → subVendor ID of board to find
- wSubDevice → subDevice ID of board to find
- wSubAux → subAux ID of board to find

This function will show a text string for this special subIDs. This text string is the same as that defined in PIO.H

The demo program is given as follows:

```
wRetVal=PIO_DriverInit(&wBoards,0xff,0xff,0xff); /*find all PIO_PISO*/
printf("\nThrer are %d PIO_PISO Cards in this PC",wBoards);
if (wBoards==0 ) exit(0);

printf("\n-----");
for(i=0; i<wBoards; i++)
{
    PIO_GetConfigAddressSpace(i,&wBase,&wIrq,&wSubVendor,
        &wSubDevice,&wSubAux,&wSlotBus,&wSlotDevice);

    printf("\nCard_%d:wBase=%x,wIrq=%x,subID=[%x,%x,%x],
        SlotID=[%x,%x]",i,wBase,wIrq,wSubVendor,wSubDevice,
        wSubAux,wSlotBus,wSlotDevice);
    printf(" --> ");
    ShowPioPiso(wSubVendor,wSubDevice,wSubAux);
}
```

---

## 3.2 The Assignment of I/O Address

The plug & play BIOS will assign the proper I/O address to PIO/PISO series card. If there is only one PIO/PISO board, the user can identify the board as card\_0. If there are two PIO/PISO boards in the system, the user will be very difficult to identify which board is card\_0 ? The software driver can support 16 boards max. Therefore the user can install 16 boards of PIO/PSIO series in one PC system. How to find the card\_0 & card\_1 ?

**It is difficult to find the card NO. The simplest way to identify which card is card\_0 is to use wSlotBus & wSlotDevice as follows:**

1. Remove all PISO-813 from this PC
2. Install one PISO-813 into the PC's PCI\_slot1,  
run PIO\_PISO.EXE & record the wSlotBus1 & wSlotDevice1
3. Remove all PISO-813 from this PC
4. Install one PISO-813 into the PC's PCI\_slot2,  
run PIO\_PISO.EXE & record the wSlotBus2 & wSlotDevice2
5. repeat (3) & (4) for all PCI\_slot?, record all wSlotBus? & wSlotDevice?

The records may be as follows:

PC's PCI slot	WslotBus	wSlotDevice
Slot_1	0	0x07
Slot_2	0	0x08
Slot_3	0	0x09
Slot_4	0	0x0A
<b>PCI-BRIDGE</b>		
Slot_5	1	0x0A
Slot_6	1	0x08
Slot_7	1	0x09
Slot_8	1	0x07

The above procedure will record all wSlotBus? & wSlotDevice? in this PC. These values will be mapped to this PC's physical slot. This mapping will not be changed for any PIO/PISO cards. So it can be used to identify the specified PIO/PISO card as follows:

**Step1: Record all wSlotBus? & wSlotDevice?**

**Step2: Use PIO\_GetConfigAddressSpace(...) to get the specified card's wSlotBus & wSlotDevice**

**Step3: The user can identify the specified PIO/PISO card if he compare the wSlotBus & wSlotDevice in step2 to step1.**



---

## 3.3 The I/O Address Map

The I/O address of PIO / PISO series card is automatically assigned by the main board ROM BIOS. The I/O address can also be re-assigned by user. **It is strongly recommended not to change the I/O address by user. The plug&play BIOS will assign proper I/O address to each PIO/PISO series card very well.**

The I/O address of PISO-813 are given as follows:

Address	Read	Write
WBase+0	RESET\ control register	Same
WBase+0xd0	Low byte of A/D Data	×
WBase+0xd4	High byte of A/D Data	×
WBase+0xe0	×	Multiplexer channel select register
WBase+0xe4	×	PGA gain code register
WBase+0xf0	×	A/D trigger control register

**Note. Refer to Sec. 3.1 for more information about wBase.**

---

### 3.3.1 RESET\ Control Register

(Read/Write): wBase+0

Bit 7	Bit 6	Bit 5	Bit 4	Bit 3	Bit 2	Bit 1	Bit 0
Reserved	Reserved	Reserved	Reserved	Reserved	Reserved	Reserved	RESET\

**Note. Refer to Sec. 3.1 for more information about wBase.**

When the PC is first power-up, the RESET\ signal is in Low-state. **This will disable all D/I/O operations.** The user has to set the RESET\ signal to High-state before any D/I/O command.

```
outportb(wBase,1);    /* RESET\ = High → all D/I/O are enable now */
```

```
outportb(wBase,0);    /* RESET\ = Low → all D/I/O are disable now */
```

### 3.3.2 A/D Data Register

(Read): wBase+0xD0 → Low Byte of A/D Conversion Data

Bit 7	Bit 6	Bit 5	Bit 4	Bit 3	Bit 2	Bit 1	Bit 0
D7	D6	D5	D4	D3	D2	D1	D0

(Read): wBase+0xD4 → High Byte of A/D Conversion Data

Bit 7	Bit 6	Bit 5	Bit 4	Bit 3	Bit 2	Bit 1	Bit 0
×	×	×	Status	D11	D10	D9	D8

**Note. Refer to Sec. 3.1 for more information about wBase.**

×: don't care

D11~D0: A/D Conversion Data

Status = 0 : A/D conversion is completed

1 : A/D conversion is not completed

The status bit is used as an indicator for A/D conversion. It is used for software polling.

do

{

HighByte=inportb(wBase+0xd4);

}while(HighByte&0x10); /\* check status until conversion complete \*/

LowByte=inportb(wBase+0xd0);

Data=(HighByte<<8)+LowByte;

### 3.3.3 Multiplexer Channel Select Register

(Write): wBase+0xe0

Bit 7	Bit 6	Bit 5	Bit 4	Bit 3	Bit 2	Bit 1	Bit 0
×	×	×	D4	D3	D2	D1	D0

**Note. Refer to Sec. 3.1 for more information about wBase.**

outportb(wBase+0xe0,0);

/\* Select analog input channel 0 \*/

outportb(wBase+0xe0,1);

/\* Select analog input channel 1 \*/

outportb(wBase+0xe0,31);

/\* Select analog input channel 31 \*/

---

### 3.3.4 PGA Gain Code Register

(Write): wBase+0xe4

Bit 7	Bit 6	Bit 5	Bit 4	Bit 3	Bit 2	Bit 1	Bit 0
×	×	×	×	×	G2	G1	G0

**Note.** Refer to Sec. 3.1 for more information about wBase.

```
outputb(wBase+0xe4,0);          /* Select PGM Gain = × 1 */
outputb(wBase+0xe4,1);          /* Select PGM Gain = × 2 */
outputb(wBase+0xe4,2);          /* Select PGM Gain = × 4 */
outputb(wBase+0xe4,3);          /* Select PGM Gain = × 8 */
outputb(wBase+0xe4,4);          /* Select PGM Gain = × 16 */
```

---

### 3.3.5 A/D Trigger Control Register

(Write): wBase+0xf0

Bit 7	Bit 6	Bit 5	Bit 4	Bit 3	Bit 2	Bit 1	Bit 0
×	×	×	×	×	×	×	×

**Note.** Refer to Sec. 3.1 for more information about wBase.

The PISO-813 A/D data transfer mode is polling. Before read the conversion data, the A/D converter must be trigger by dummy write A/D Trigger Control Register.(Refer to Sec.2.2.5 for more information about A/D converter operation)

```
outputb(wBase+0xf0,0);          /* Trigger A/D converter */
```

---

## 4. Demo Program

It is recommended to read the release note first. All important information will be given in release note as follows:

1. where you can find the software driver & utility
2. **how to install software & utility**
3. where is the diagnostic program
4. FAQ

There are many demo programs given in the company floppy disk or CD. After the software installation, the driver will be installed into disk as follows:

- \TC\\*. \* → for Turbo C 2.xx or above
- \MSC\\*. \* → for MSC 5.xx or above
- \BC\\*. \* → for BC 3.xx or above
  
- \TC\LIB\\*. \* → for TC library
- \TC\DEMO\\*. \* → for TC demo program
- \TC\DIAG\\*. \* → for TC diagnostic program
  
- \TC\LIB\Large\\*. \* → TC large model library
- \TC\LIB\Huge\\*. \* → TC huge model library
- \TC\LIB\Large\PIO.H → TC declaration file
- \TC\LIB\Large\TCPIO\_L.LIB → TC large model library file
- \TC\LIB\Huge\PIO.H → TC declaration file
- \TC\LIB\Huge\TCPIO\_H.LIB → TC huge model library file
  
- \MSC\LIB\Large\PIO.H → MSC declaration file
- \MSC\LIB\Large\MSCPIO\_L.LIB → MSC large model library file
- \MSC\LIB\Huge\PIO.H → MSC declaration file
- \MSC\LIB\Huge\MSCPIO\_H.LIB → MSC huge model library file
  
- \BC\LIB\Large\PIO.H → BC declaration file
- \BC\LIB\Large\BCPIO\_L.LIB → BC large model library file
- \BC\LIB\Huge\PIO.H → BC declaration file
- \BC\LIB\Huge\BCPIO\_H.LIB → BC huge model library file

**NOTE: The library is available for all PIO/PISO series cards.**

---

## 4.1 PIO\_PISO

```
/* ----- */
/* Find all PIO_PISO series cards in this PC system */
/* step 1 : plug all PIO_PISO cards into PC */
/* step 2 : run PIO_PISO.EXE */
/* ----- */

#include "PIO.H"

WORD wBase,wIrq;
WORD wBase2,wIrq2;

int main()
{
int i,j,j1,j2,j3,j4,k,jj,dd,j11,j22,j33,j44;
WORD wBoards,wRetVal;
WORD wSubVendor,wSubDevice,wSubAux,wSlotBus,wSlotDevice;
char c;
float ok,err;

clrscr();
wRetVal=PIO_DriverInit(&wBoards,0xff,0xff,0xff); /*for PIO-PISO */
printf("\nThrer are %d PIO_PISO Cards in this PC",wBoards);
if (wBoards==0 ) exit(0);

printf("\n-----");
for(i=0; i<wBoards; i++)
{
PIO_GetConfigAddressSpace(i,&wBase,&wIrq,&wSubVendor,
&wSubDevice,&wSubAux,&wSlotBus,&wSlotDevice);

printf("\nCard_%d:wBase=%x,wIrq=%x,subID=[ %x, %x, %x],
SlotID=[ %x, %x]", i,wBase,wIrq,wSubVendor,wSubDevice,
wSubAux,wSlotBus,wSlotDevice);
printf(" --> ");
ShowPioPiso(wSubVendor,wSubDevice,wSubAux);
}

PIO_DriverClose();
}
```

**NOTE: the PIO\_PISO.EXE is valid for all PIO/PISO cards.** It can be find in the \TC\DIAG\ directory. The user can execute the PIO\_PISO.EXE to get the following information:

- List all PIO/PISO cards installed in this PC
- List all resources allocated to every PIO/PISO cards
- List the wSlotBus & wSlotDevice for specified PIO/PISO card identification. (refer to Sec. 3.2 for more information)

---

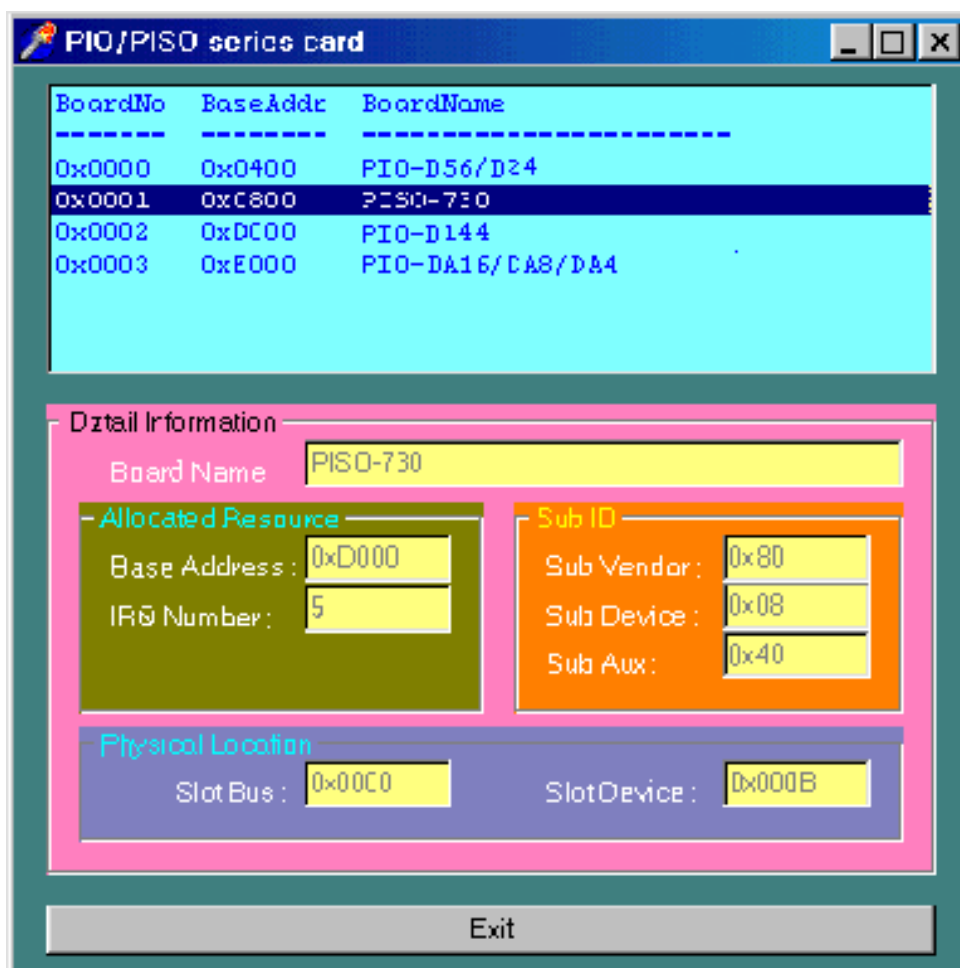
## 4.1.1 PIO\_PISO.EXE for Windows

There has an software utility “PIO\_PISO.EXE” for Windows95/98 for the detailed information about this file, please refer to the “Readme.txt” of development toolkit for Windows95/98. It is useful for all PIO/PIS series card.

The setup steps from the CD-ROM are given as follows:

- Step1: Toolkit( Software)/Manuals
- Step2: PCI Bus DAQ Card
- Step4: PIO-813
- Step5: Install Toolkits for Windows95/98
- Step6: After installation, this program will be extracted in user define directory.

After executing the utility, every detail information for all PIO/PISO cards that installed in the PC will be shown as follows:



---

## 4.2 DEMO1

```
/* ----- */
/* DEMO1.C : PISO-813 */
/* Note : Measure 32-channel A/I.Bipolar range: -10V - +10V */
/* ----- */
#include "PIO.H"
WORD Read_AD_Data(void);
WORD wBase,wIrq;

int main()
{
int i,l,h,x,y;
WORD wBoards,wRetVal,AdResult,t1,t2,t3,t4,t5;
WORD wSubVendor,wSubDevice,wSubAux,wSlotBus,wSlotDevice;
char c;
float ok,err,v,k;

clrscr();
/* step 1: find address-mapping of PIO/PISO cards */
wRetVal=PIO_DriverInit(&wBoards,0x80,0x0a,0x00); /* for PISO-813 */
printf("\nThrer are %d PISO-813 Cards in this PC",wBoards);
if (wBoards==0) exit(0);

printf("\n----- The Configuration Space -----");
for(i=0; i<wBoards; i++)
{
PIO_GetConfigAddressSpace(i,&wBase,&wIrq,&wSubVendor,&wSubDevice,
&wSubAux,&wSlotBus,&wSlotDevice);
printf("\nCard_%d:wBase=%x,wIrq=%x,subID=[%x,%x,%x],
SlotID=[%x,%x]",i,wBase,wIrq,wSubVendor,wSubDevice,
wSubAux,wSlotBus,wSlotDevice);
printf(" --> ");
ShowPioPiso(wSubVendor,wSubDevice,wSubAux);
}
PIO_GetConfigAddressSpace(0,&wBase,&wIrq,&t1,&t2,&t3,&t4,&t5);
/* step 2: enable all D/I/O port */
outportb(wBase+0,1); /* enable D/I/O */

i=0;x=1;y=1;

clrscr();

/* Step 3: gain setting */
/* Delay more than 5.6us for PGA gain change and optocouple */
/* propagation delay 6.0us. (5.6+6.0)us */
outportb(wBase+0xe4,0x00); /* Gain control,G=1 */
delay(1000);

for(;;)
{
gotoxy(x,y);
printf("Channel %2d ",i);

/* step 4: channel select */
outportb(wBase+0xe0,i); /* channel select = i*/
/* step 5: delay 10us */
delay(200);
}
```

```

/* step 6: software trigger */
    outportb(wBase+0xf0,0x00); /* software trigger */
/* step 7: delay 70us */
    delay(200);

    AdResult=Read_AD_Data();

    k=((float)AdResult-2047.0)*10.0/2048.0;

    printf(",value = %2.4f",k);

    i++;
    if (i==0x20) i=0;

    y=i+1;
    x=1;

    if (i>=16)
    {
        x=40;
        y=i-15;
    }

    if (kbhit()!=0)
    {
        c=getch(); if ((c=='q') || (c=='Q')) break;
    }
}
gotoxy(1,20);
PIO_DriverClose();
}

/* ----- */
WORD Read_AD_Data(void)
{
    int LowByte;
    WORD HighByte,Data;
    char c;
/* step 8: read high byte of A/D result */
do
    {
        HighByte=inportb(wBase+0xd4); /* Read high byte of A/D data */
        if (kbhit()!=0) break;
    }
    while(HighByte&0x10);/* Chech status until conversion complete */
/* step 9: read low byte of A/D result */
LowByte=inportb(wBase+0xd0);
Data=((HighByte<<8)+LowByte)&0xffff;
return(Data);
/* step 10: A/D conversion complete */
}

```