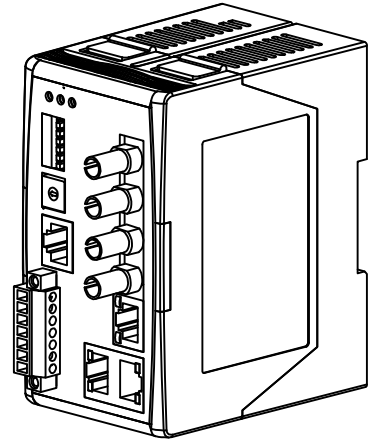
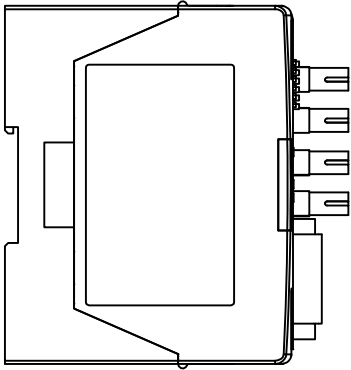


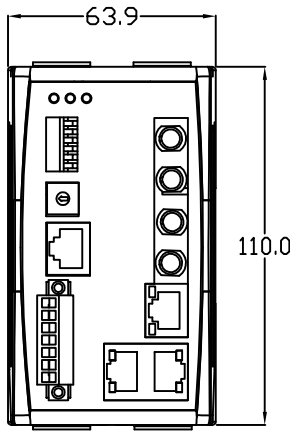
Top View



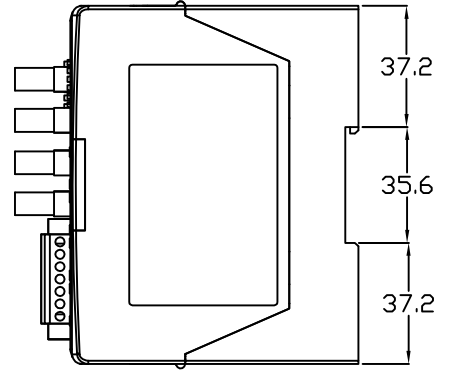
Auxiliary View



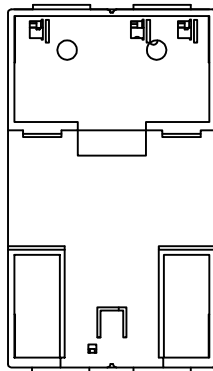
Left Side View



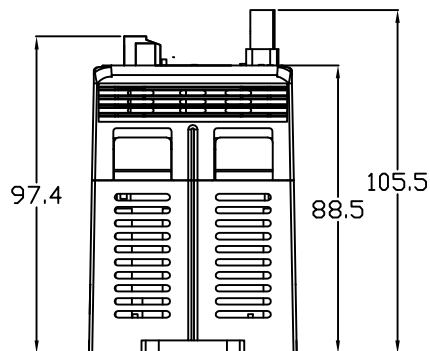
Front View



Right Side View



Back View



Bottom View

Unit : mm