

**KIEN5000**

8 Port Managed Industrial Ethernet Switch

CE, FCC, RoHS,  
Chinese State  
Grid Certification**Overview**

KIEN5000, an 8-port managed DIN-Rail Industrial Ethernet Switch, comes with DT-Ring technology which is developed by Kyland and used to set up a redundant Ethernet ring network. KIEN5000 also supports dual redundant power inputs. KIEN5000 offers 8 10/100Base-T(X) ports. With a web-based configuration interface, KIEN5000 ensures an easy installation and management of the switches.

**Features**

1. Supports 8 10/100Base-T(X) RJ45 ports
2. Supports DT-Ring (recovery time <100ms) and STP
3. Supports QoS, VLAN, SNMP, MIB V1/V2/V3, IGMP, port mirroring, port trunking, static MAC address binding
4. Complies with EMC industrial level 4 regulated in IEC61850-3 standard
5. Supports CLI, TELNET, WEB management functions
6. Broadcast storm control
7. Abundant power supply options and dual redundant DC power inputs
8. Alarm output for the failure of power supply
9. Ribbed aluminum case for heat dissipation (patent), fanless design
10. Operating temperature: -40 to 85°C (-40 to 185°F)
11. DIN-Rail and wall-mounting
12. IP40 protection class

**Technical Specifications****Standard**

IEEE802.3  
IEEE802.3u  
IEEE802.3x  
IEEE802.1p  
IEEE802.1q  
IEEE802.1d  
Store and forward switching mode

**Network**

Ring, chain and star network topology

**Interface**

10/100M Copper Ports: 8 x 10/100Base-T(X) ports, RJ45  
Alarm Contact: 2-Pin 3.81mm-spacing terminal block, 250VAC/350VDC Max; 120mA Max  
LED Indicators: RUN1, RUN2, PWR1, PWR2, LINK/ACT, 10M/100M

**Cable**

Twisted Pair: 0-100m (Standard CAT5, CAT5e network cable)  
Multi Mode Fiber: 1310nm, 0-5km  
Single Mode Fiber: 1310nm, 0-40km; 1550nm, 0-80km

**Power Requirements**

Power input: 12VDC (9-18VDC), 24VDC (18-36VDC), 48VDC (36-72VDC), 110VDC (66-154VDC), 220VDC (220-370VDC), dual redundant power inputs; 110VAC (85-165VAC), 220VAC (165-265VAC), single power input  
Power terminal: 3-Pin 3.81mm-spacing plug-in terminal block  
Power consumption: <6W

**Physical Characteristics**

Casing: Ribbed aluminum case (fanless)  
Protection class: IP40  
Installation: DIN-Rail or wall mounting  
Dimensions (WxHxD): 55.4x139x119.5 mm (2.18x5.47x4.70 in.)  
Weight: 0.6kg (1.323 pound)

**Environmental Limits**

Operating Temperature: -40 to 85°C (-40 to 185°F)  
Storage Temperature: -40 to 85°C (-40 to 185°F)  
Ambient Relative Humidity: 0 to 95% (non-condensing)

**Approvals**

IEC61000-4-2 (ESD): ±4KV contact discharge, ±8KV air discharge  
IEC61000-4-3 (RS): 10V/M (80-1000MHz)  
IEC61000-4-4 (EFT): power line ±2KV, data line ±1KV  
IEC61000-4-5 (Surge): power line ±2KV CM/±1KV DM, data line ±1KV  
IEC61000-4-6 (CS): 3V (10KHZ-150KHZ), 10V (150KHZ-80MHZ)  
IEC61000-4-8 (Power frequency magnetic field): 100A/m cont. 1000A/m, 1s to 3s  
IEC61000-4-12/18 (Damped oscillatory wave): 2.5KV CM, 1KV DM  
IEC61000-4-10 (Damped oscillatory): 30A/m  
IEC61000-4-16 (Common mode conduct): 30V cont. 300V, 1s  
FCC CFR47 Part 15/EN55022: Class A&B  
IEC61000-6-2 (Industrial Standards), EN50121-4 (Railway Applications)

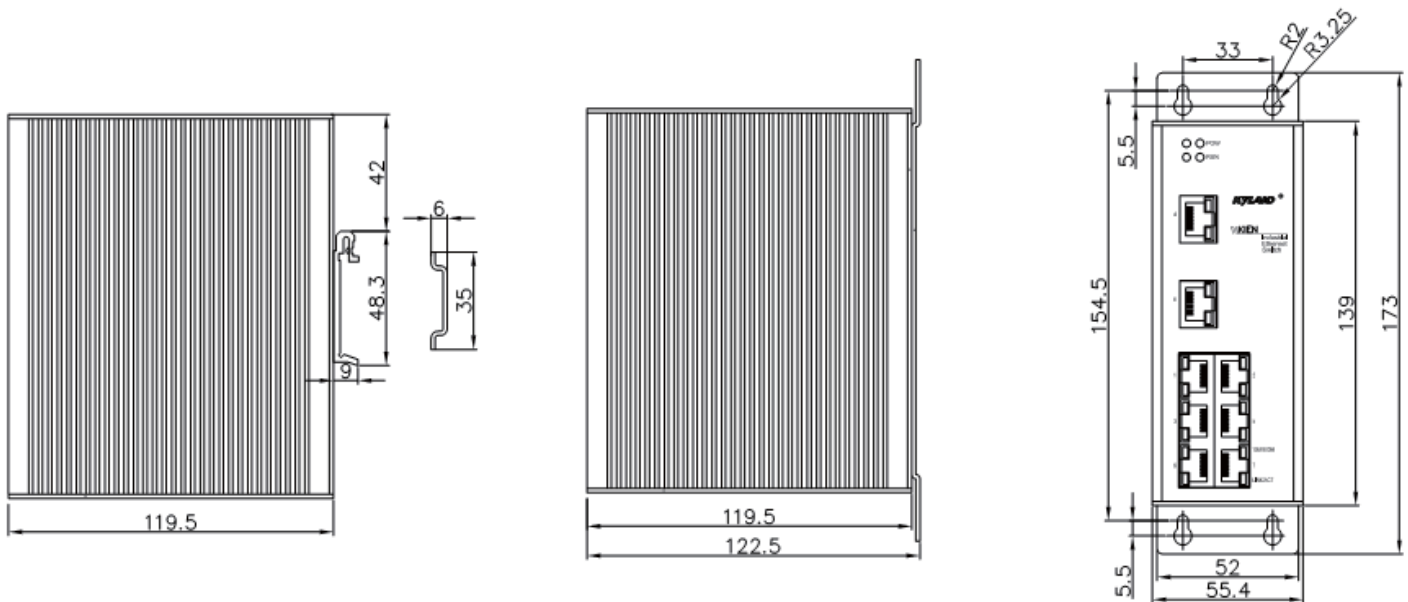
CE, FCC, RoHS, Chinese State Grid Certification

**MTBF**

35 years

**Warranty**

5 years

**Mechanical Drawing****Ordering Information**

Model	Description
KIEN5000-8T	Managed Ethernet switch with 8 10/100Base-T(X) ports, RJ45 connector, DIN-Rail, 12VDC (9-18VDC), 24VDC (18-36VDC), 48VDC (36-72VDC), 110VDC (66-154VDC), 220VDC (220-370VDC), dual redundant power inputs; 110VAC (85-165VAC), 220VAC (165-265VAC), single power input, -40 to 85°C operating temperature

Power supply: 12VDC, 24VDC, 48VDC, 110VDC, 220VDC, dual redundant power inputs  
110VAC, 220VAC, single power input