

KOM600

2 Port Unmanaged Din-Rail Copper to Fiber LFP Media Converter



- Green Ethernet solution with ultra low power consumption design
- As low as 2 watts full load power consumption
- 1 10/100Base-TX port, 1 100Base-FX port
- Supports LFP (Link Fault Pass-Through)
- Redundant AC/DC power inputs with wide voltage range
- EMC performance reaches industrial level 4
- IP40 protection class
- UL508 (pending), Class 1 Div 2 (pending), CE, FCC certificates



Overview

The KOM600 is a new member of Kyland ultra low power consumption Green Ethernet series, its full load power consumption is as low as 2 watts. The KOM600 industrial media convertor has 1 100Base-FX fiber port and 1 10/100Base-TX copper port. It supports wide operating temperature range from -40 to 85°C.

The KOM600 series provide 12VDC (9-36VDC), 24VAC/DC (13-50VAC, 18-72VDC) redundant power inputs and support IP40 protection class and EMC industrial level 4 requirements. These media convertors are specially designed for harsh industrial environments certified by UL508 and UL Class I Div 2 certifications.

Technical Specifications

Standard

IEEE 802.3i, IEEE 802.3u, IEEE 802.3ab, IEEE802.3z

Interface

Fast Ethernet Fiber Port: 1 100Base-FX, SM/MM port, FC/SC/ST connector

Fast Ethernet RJ45 Port: 1 10/100Base-TX RJ45 port

LED

LEDs on Front Panel:

Power LED: PWR1, PWR2

Interface LED: Link/ACT, Speed (RJ45 port)

Transmission Distance

Twisted Pair: 100m (Standard CAT5, CAT5e network cable)

Multi Mode Fiber: 1310nm, 5km (100M)

Single Mode Fiber: 1310nm, 40km/60km (100M)
1550nm, 60km/80km (100M)

Power Requirements

Power Input: 12VDC (9-36VDC), 24VAC/DC (18-50VAC/18-72VDC)

Power Terminal: 5-pin 5.08mm-spacing plug-in terminal block

Power Consumption: 2W (full load)

Overload Protection: Support

Reverse Connection Protection: Support

Redundancy Protection: Support

Physical Characteristics

Housing: Metal, fanless

Protection Class: IP40

Dimensions (W×H×D): 30×115×91.5 mm (1.18×4.53×3.60 in.)

Weight: 0.46kg (1.014 pound)

Mounting: DIN-Rail or Panel mounting

Environmental Limits

Operating Temperature: -40 to 85°C (-40 to 185°F)

Storage Temperature: -40 to 85°C (-40 to 185°F)

Ambient Relative Humidity: 5 to 95% (non-condensing)

MTBF

546,000 hrs

Warranty

5 years

Approvals

UL508 (pending), Class 1 Div 2 (pending), CE, FCC

Industrial Standard

EMI:

FCC CFR47 Part 15, EN55022/CISPR22, Class A

EMS:

IEC61000-4-2 (ESD): ±8kV (contact), ±15kV (air)

IEC61000-4-3 (RS): 10V/m (80MHz-2GHz)

IEC61000-4-4 (EFT): Power Port: ±4kV; Data Port: ±2kV

IEC61000-4-5 (Surge): Power Port: ±2kV/DM, ±4kV/CM; Data Port: ±2kV

IEC61000-4-6 (CS): 3V (10kHz-150kHz); 10V (150kHz-80MHz)

IEC61000-4-16 (Common mode conduction): 30V (cont.), 300V (1s)

Machinery:

- IEC60068-2-6 (Vibration)
- IEC60068-2-27 (Shock)
- IEC60068-2-32 (Free Fall)

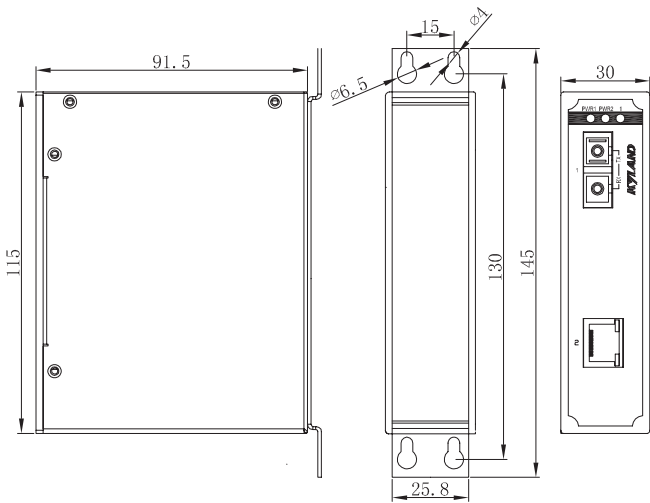
Industry: IEC61000-6-2

Railway: EN50155, EN50121-4

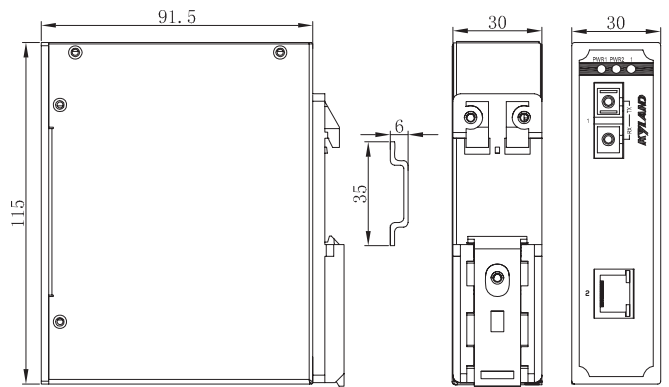
Traffic Control: NEMA TS-2

Mechanical Drawing

Panel Mounting



DIN-Rail Mounting



Ordering Information

Model	Fast Ethernet Port			Fiber Connector			Power Supply	
	100Base-FX Single Mode	100Base-FX Multi Mode	10/100Base-TX	SC	ST	FC	9-36VDC	18-50VAC/18-72VDC
KOM600-1M-1T	-	1	1					
KOM600-1S-1T	1	-	1					

Please Select

Accessories

Model	Description
DT-BGAZ-01	Panel mounting kit
DT-FCZ-RJ45-01	RJ45 dustproof shield

Order Codes

KOM600 - _____ - _____ - _____ - _____ - _____
FX Connector Distance TX PS

FX: Fiber Ports

1M= 1 multi mode fiber ports

1S= 1 single mode fiber ports

Connector: Fiber Connector

FC= FC connector

SC= SC connector

ST= ST connector

SD= single fiber bi-direction, only for single mode, only SC connector (different price)

Distance: Fiber Distance

2= multi mode, 850nm, 2km

5 (or None)= multi mode, 1310nm, 5km (multi mode default)

40 (or None)= single mode, 1310nm, 40km (single mode default)

60= single mode, 1310nm, 60km (different price)

60L= single mode, 1550nm, 60km (different price)

80L= single mode, 1550nm, 80km (different price)

5T3R= single fiber bi-direction, 1550T/1310R, 20km (different price)

5R3T= single fiber bi-direction, 1550R/1310T, 20km (different price)

40/5T3R= single fiber bi-direction, 1550T/1310R, 40km (different price)

40/5R3T= single fiber bi-direction, 1550R/1310T, 40km (different price)

80/5T3R= single fiber bi-direction, 1550T/1310R, 80km (different price)

80/5R3T= single fiber bi-direction, 1550R/1310T, 80km (different price)

TX: Copper Port

1T= 1 10/100Base-T(X) port, RJ45 connector

(Please refer to the order information on available port combinations.)

PS: Power Supply

12W=12VDC/24VDC (9-36VDC), dual power inputs

24A= 24VAC/24VDC/48VDC (18-50VAC/18-72VDC), dual power inputs

Example order codes

KOM600-1M-SC-1T-12W

1 multi mode 1310nm 5km fiber port with SC connector, 1 10/100Base-TX RJ45 port, 12VDC/24VDC (9-36VDC) dual power inputs