



### SICOM1005R-M12

5 Port Unmanaged IP67  
Industrial Ethernet Switch

CE, FCC, RoHS

### Overview

The SICOM1005R-M12 IP67 unmanaged industrial Ethernet switch is specially designed for moving vehicles, rail transportation, and tunnels which circumstances have special requirements on anti vibration, corruption and humidity. It offers 5 10/100Base-T(X) ports with M12 connectors and the operating temperature is -40 to 85°C.

### Features

1. Specially designed for moving vehicles, rail transportation, and tunnels which have special requirements on anti vibration, corruption and humidity
2. Supports 5 10/100Base-T(X) ports with M12 connectors, full/half duplex, MDI/MDI-X adaptive
3. Flexible network topologies: chain and star
4. Broadcast storm control
5. M12 connectors are anti-vibration and offer reliable connection
6. Abundant power supply options
7. IP67 protection class with dustproof and water proof design and aluminium case
8. Operating temperature: -40 to 85°C (-40 to 185°F)
9. Wall mounting installation

### Technical Specifications

#### Standard

IEEE802.3  
IEEE802.3u  
IEEE802.3x  
Store and forward switching mode

#### Network

Chain and star network topology

#### Interface

10/100M Copper Ports: 5 x 10/100Base-T(X) ports with M12 connectors  
LED Indicators: PWR, LINK/ACT (1-5)

#### Cable

Twisted Pair: 100m (Standard CAT5 and CAT5e network cable)

#### Power Requirements

Power input: 24VDC (18-36VDC), 48VDC (36-72VDC), 110VDC (82-185VDC), 110VAC/220VAC/220VDC (85-264VAC, 120-370VDC), single power input  
Input terminals: M12  
Power consumption: <2.5W

#### Physical Characteristics

Casing: Aluminum case (fanless)  
Protection class: IP67  
Installation: Wall mounting  
Dimensions (WxHxD): 62x56x120 mm (2.44x2.20x4.72 in)  
Weight: 0.5kg (1.102 pound)

#### Environmental Limits

Operating Temperature: -40 to 85°C (-40 to 185°F)  
Storage Temperature: -40 to 85°C (-40 to 185°F)  
Ambient Relative Humidity: 0 to 95% (non-condensing)

#### Approvals

IEC61000-4-2 (ESD): ±8KV contact discharge, ±15KV air discharge  
IEC61000-4-3 (RS): 10V/M (80-1000MHz)  
IEC61000-4-4 (EFT): ±4KV power line, ±2KV data line  
IEC61000-4-5 (Surge): power line ±4KV CM/ ±2KV DM, data line ±2KV  
IEC61000-4-6 (CS): 3V (10KHZ-150KHZ), 10V (150KHZ-80MHz)  
IEC61000-4-8 (Power frequency magnetic field): 100A/m cont. 1000A/m, 1s to 3s  
IEC61000-4-12/18 (Damped oscillatory wave): 2.5KV CM, 1KV DM  
IEC61000-4-10 (Damped oscillatory): 30A/m  
IEC61000-4-16 (Common mode conduct): 30V cont. 300V, 1s  
FCC CFR47 Part 15/EN55022: Class A&B  
IEC61000-6-2 (Industrial Standards), IEC61850-3 (Substations), IEEE1613 (Electric Power Substations), EN50121-4 (Railway Applications)  
IEC61373 (Shock and Vibration)

CE, FCC, ROHS

#### MTBF

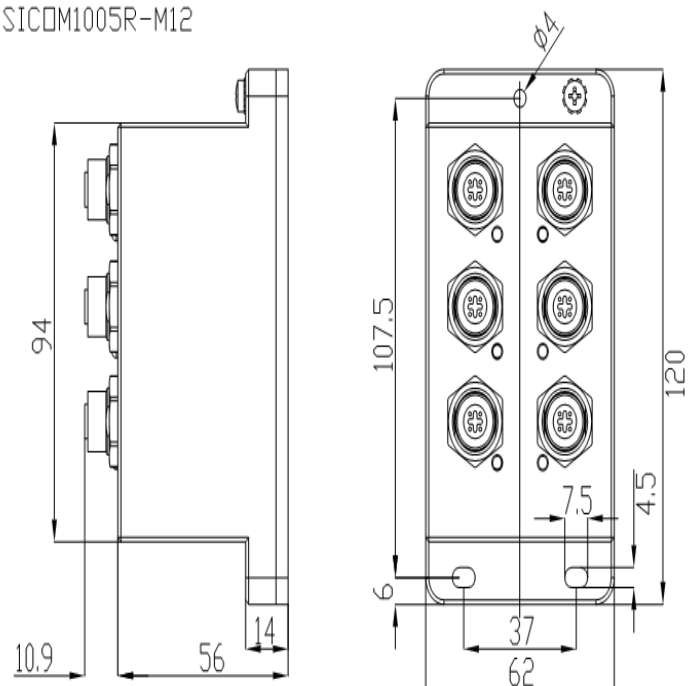
35 years

#### Warranty

5 years

### Mechanical Drawing

SICOM1005R-M12



## Ordering Information

Model	Description
SICOM1005R-5T-M12	IP67 unmanaged Ethernet switch with 5 10/100Base-T(X) ports, M12 connector, -40 to 85°C operating temperature
SICOM1005R-5T-M12-B	IP67 unmanaged Ethernet switch with 5 10/100Base-T(X) ports, M12 connector, -40 to 85°C operating temperature, broadcast storm control

Power supply: 24VDC, 48VDC, 110VDC, 110VAC/220VAC/220VDC, single power input

## Accessories

Connector	Port
M12-4 Pin-99-3729-810-04	10/100Base-T(X) ports,
M12-4 Pin-99-1430-812-04	Power Port

Please visit our website: [www.kyland.cn](http://www.kyland.cn) for the latest updates.