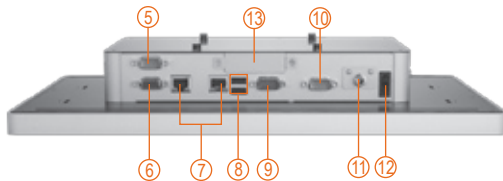


# GOT615-801

15.6" WXGA TFT Wide Screen Fanless Touch Panel Computer

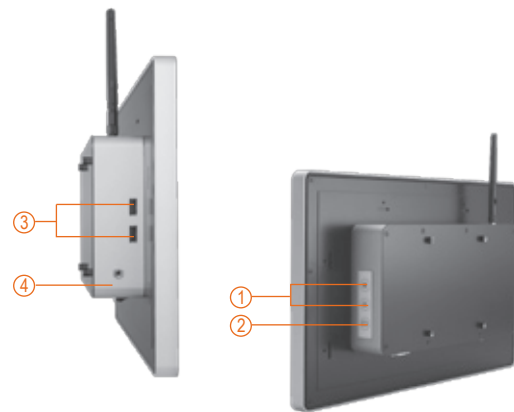


- |                      |                           |                                  |
|----------------------|---------------------------|----------------------------------|
| 1. Brightness adjust | 6. VGA                    | 11. Power connector (Screw type) |
| 2. Backlight switch  | 7. Ethernet x 2           | 12. Power switch (ATX)           |
| 3. USB 2.0 x 2       | 8. USB 2.0 x 2            | 13. CF card slot                 |
| 4. Audio (Line-out)  | 9. COM 1 (RS-232/422/485) |                                  |
| 5. COM 3 (RS-232)    | 10. COM 2 (RS-232)        |                                  |

## Features



- Wide screen all-in-one system with resistive touchscreen
- Intel® Atom™ processor D525 1.8 GHz dual core
- Supports DDR3 SO-DIMM memory up to 4 GB
- Supports VESA mount
- Robust mechanical design & IP65 front panel compliant
- Multiple expansion functions & rich connectivity
- Long-term life support
- Supports Windows® XP and Windows® 7 (optional)



## Introduction

The GOT615-801 is a reliable and fanless industrial-grade solution with fashionable appearance for varied automation and retail applications. It is a PC-based system with 15.6" WXGA (1366 x 768) true color TFT LCD display. This unit adopts a low power consumption Intel® Atom™ D525 processor and supports touchscreen, which is resistive type and is to be accessible even users wear

gloves ideal for human machine interface application. The GOT615-801 has a Mini Card slot and an optional fixed rotational WLAN antenna for wireless network connection. By just plugging in the WLAN Mini Card, customers can have instant access to wireless LAN/GPRS/GSM/3G environments.

## Specifications

|             |                                |                                     |
|-------------|--------------------------------|-------------------------------------|
| Front Bezel | IP65 aluminum front bezel      |                                     |
| LCD Panel   | Display Type                   | 15.6" LCD                           |
|             | Brightness(cd/m <sup>2</sup> ) | 220 nits                            |
|             | Resolution                     | 1366 x 768                          |
|             | Viewing Angle (H/V)            | 90° / 65°                           |
| Main System | CPU                            | Intel® Atom™ processor D525 1.8 GHz |
|             | Chipset                        | Intel® ICH8M                        |

|                  |   |
|------------------|---|
| System Memory    | 1 x 204-pin DDR3 SODIMM max. up to 4 GB |
| BIOS             | AMI                                     |
| Storage          | 1 x 2.5" SATA HDD bay                   |
|                  | 1 x CompactFlash™                       |
| Watchdog Timer   | 255 Levels, 0-255 sec.                  |
| Onboard Graphics | Intel® GMA 3150 graphics core           |

|                     |  |
|---------------------|--|
| I/O Connector       | 2 x RS-232 (COM 2/3)<br>1 x RS-232/422/485 (COM 1)<br>1 x VGA<br>1 x Audio<br>4 x USB 2.0<br>2 x 10/100/1000Mbps Ethernet<br>1 x Power jack<br>1 x Power switch<br>1 x Antenna connector                 |
| Expansion Interface | 1 x PCIe Mini Card   |
| Touchscreen         | Resistive type   |
| Power Supply        | 12V <sub>DC</sub> input  |
| Dimensions          | 390 mm (15.35") (W) x 59 mm (2.32") (D)<br>x 240 mm (9.44") (H)  |
| Packing Dimensions  | TBD  |
| Weight(net/gross)   | 3.38 kg (7.45 lb)  |
| Environment         | Operation Temperature : -5 °C ~ +45 °C<br>Operation Humidity: 10% ~ 95% @ 40 °C; non-condensing<br>Operation vibration:<br>1G, 5 ~ 500Hz, random for 2.5" HDD<br>2G, 5 ~ 500Hz, random for CompactFlash™ |
| Certification       | CE   |

\* W.T.: Wide Temperature. All W.T. supported products have to be sorted by Axiomtek.

## Optional EOS Installation

Windows® XP Embedded

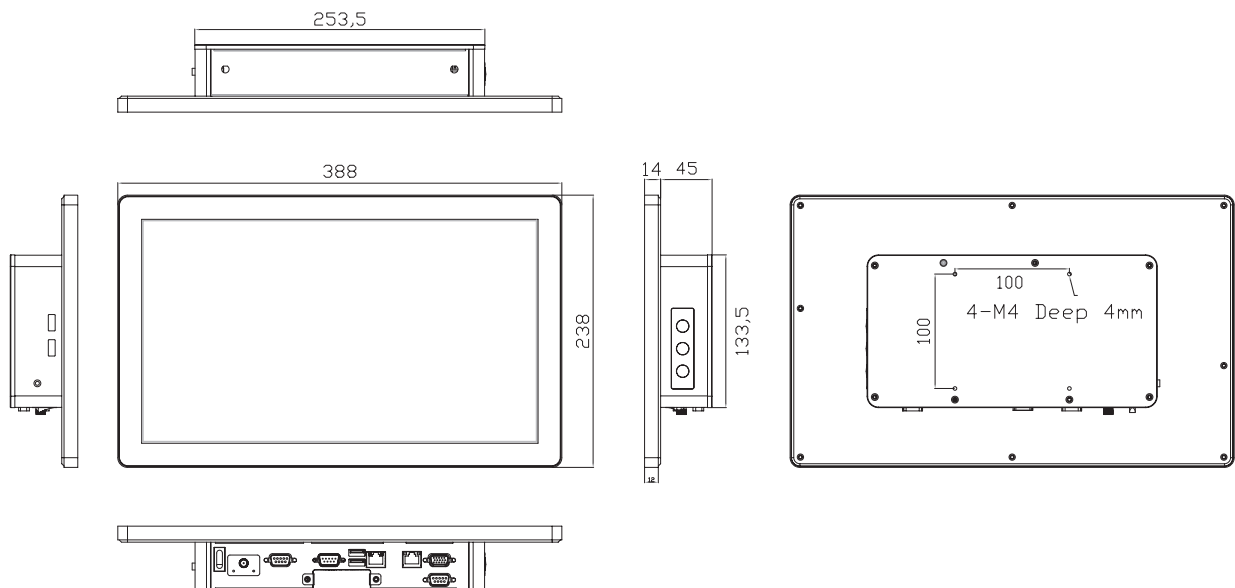
## Optional OS Installation

Windows® 7

Linux Kernel 2.6



## Dimensions



Overview

Industrial Panel Computers & Monitors

Heavy-duty Fanless Touch Panel Computers

Digital Signage Solutions

Healthcare & Medical Solutions

Open Frame Panel Computers

Accessories