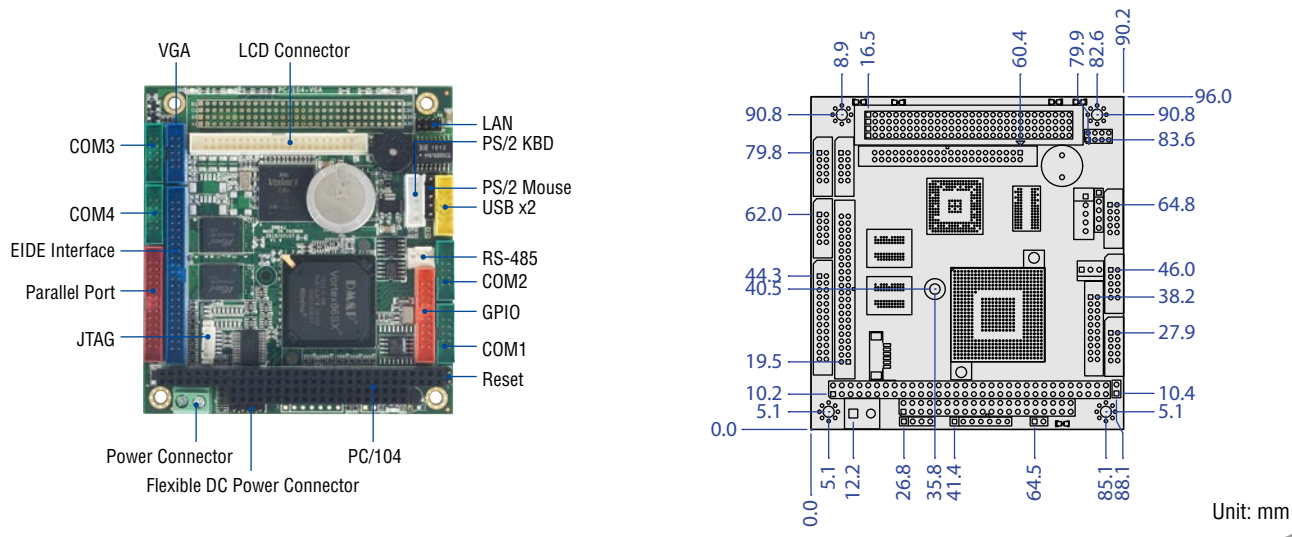


# VSX-6154-V2

128MB/4S/2USB/VGA/LCD/LAN/GPIO



## Specifications

<b>SoC</b>	DM&P SoC CPU Vortex86SX- 300MHz Real Time Clock with Lithium Battery Backup
<b>Cache</b>	L1:16K I-Cache, 16K D-Cache
<b>Bus</b>	PC/104 standard compliant PCI-104 (Optional)
<b>BIOS</b>	AMI BIOS
<b>System Memory</b>	128/256MB DDR2 Onboard
<b>Watchdog Timer 0 &amp; 1 Sets</b>	Software programmable from 30.5μ sec. to 512 sec. x 2 sets (Watchdog 1 fully compatible with M6117D)
<b>VGA</b>	XGI Volari Z9s Chipset VGA and TFT Flat Panel Interface Support Onboard 32MB VGA Memory, support resolution up to 1280 x 1024, 16M colors
<b>LAN</b>	Integrated 10/100Mbps Ethernet
<b>Flash Disk Support</b>	Onboard 2MB SPI Flash Disk MSTI EmbedDisk Module (16MB and above)
<b>I/O Interface</b>	Enhanced IDE port x1 RS-232 port x3 RS-232/422/485 port x1 USB port (Ver2.0) x2 Parallel port x1 16-bit GPIO port x1 10/100Mbps Ethernet port x1
<b>Connectors</b>	2.0mm 44-pin box header for IDE x1 2.0mm 44-pin box header for LCD x1 2.0mm 26-pin box header for Printer x1 2.0mm 20-pin box header for 16-bit GPIO x1 2.0mm 10-pin box header for VGA x1 2.0mm 10-pin box header for USB x1 2.0mm 10-pin box header for RS-232 x4 2.0mm 8-pin header for Ethernet x1 2.54mm 5-pin box header for Keyboard x1 2.54mm 5-pin header for Mouse x1 2.54mm 7-pin header for Redundancy Signal x1 (Optional) 2.54mm 4-pin header for -5V, -12V, +12V, GND, DC-in x1 2.54mm 3-pin header for RS-485 x1 2.54mm 2-pin header for Reset x1 2.54mm 2-pin header for System-Fail-SW x1 (Optional) 1.25mm 6-pin wafer for JTAG x1

<b>Power Requirement</b>	Single Voltage +5V @ 720mA
<b>Weight</b>	83g
<b>Board Size</b>	90 x 96mm (3.54 x 3.77 inches)
<b>Operating Temperature</b>	-20°C ~ +70°C -40°C ~ +85°C (Optional)

## Packing List

- VSX-6154-V2 x1
- CD for User's Manual & Driver x1
- Cable
  - HDD 44P (2.0) x1
  - USB (2.0) x1
  - PRINT (2.0) x1
  - VGA (2.0) x1
  - RS-232 (2.0) x4
  - NET 4x2 (2.0) x1
  - GPIO (2.0) x1
  - PS2 KB White x1
  - PS2 Mouse Black x1
- Screw Kit x1

## Ordering information

- **VSX-6154-V2** Vortex86SX PC/104 CPU Module with 128MB DDR2
- **VSX-6154-V2-PLUS** Vortex86SX PC/104+ CPU Module with 128MB DDR2