

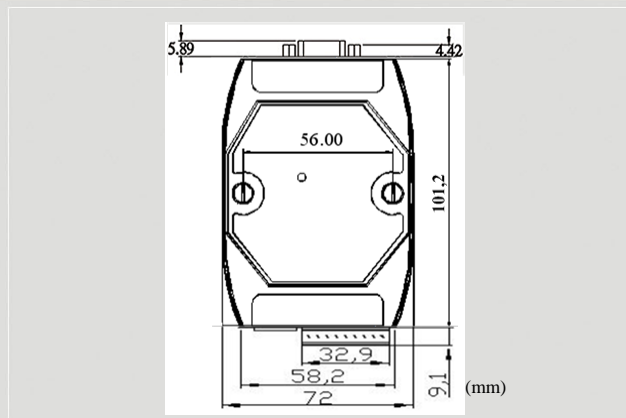


PROFIBUS Series Products

PROFIBUS to Modbus TCP Gateway



GW-7553



Dimensions

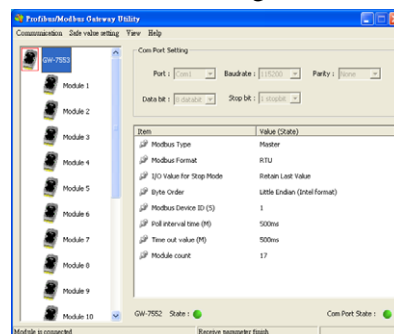
The GW-7553 Gateway is specially designed for the slave device of PROFIBUS DP protocol. It allows the PROFIBUS master to access the Modbus TCP devices. These Modbus devices may be a PLC, a sensor, the ICPDAS I-8KE4-MTCP module and so forth. In addition, we also provide the utility software for users to configure the GW-7553. By using this module, users can put their Modbus TCP devices into PROFIBUS network very easily.

Features

- Protocol & Hierarchy: DP-V0 Slave
- Detect transmission rate (9.6 to 12000 kbps) automatically
- 128 bytes max input data length
- 131 bytes max output data length
- Support Modbus Master and Slave mode
- Support Modbus RTU, ASCII and TCP format
- Address 0~126 set by DIP switch or EEPROM
- Support several kinds of baud rate for COM1 from 2.4 to 115.2 kbps
- Network Isolation Protection: High Speed iCoupler
- 3000 V_{DC} isolation protection on PROFIBUS side
- 4 kV ESD Protection

Utility Features

- Provide GW-7553 safe value setting
- Provide GW-7553 network configuration
- Display module parameters of the GW-7553
- Show module address configuration of the GW-7553

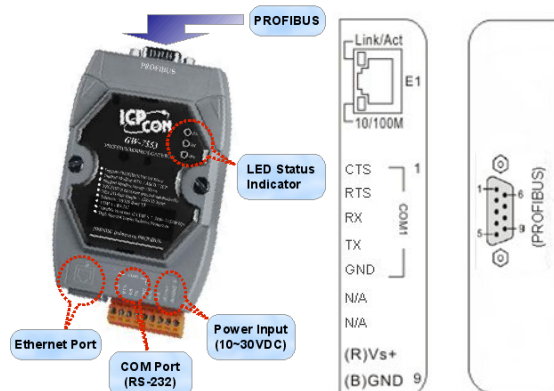


Modbus Support

- Only the following Modbus commands are supported by the gateway.

Code	Name	Description
01	Read Coil Status	Read the ON/OFF status of discrete outputs in the slave
02	Read Input Status	Read the ON/OFF status of discrete inputs in the slave
03	Read Holding Registers	Read the binary contents of holding registers in the slave
04	Read Input Registers	Read the binary contents of input registers in the slave
05	Force Single Coil	Write a single output to either ON or OFF in the slave
06	Preset Single Register	Write an integer value into a single register in the slave
15	Force Multi. Coils	Write each coil in the sequence of coils to either ON or OFF in the slave
16	Preset Multi. Registers	Write a block of contiguous registers in the slave

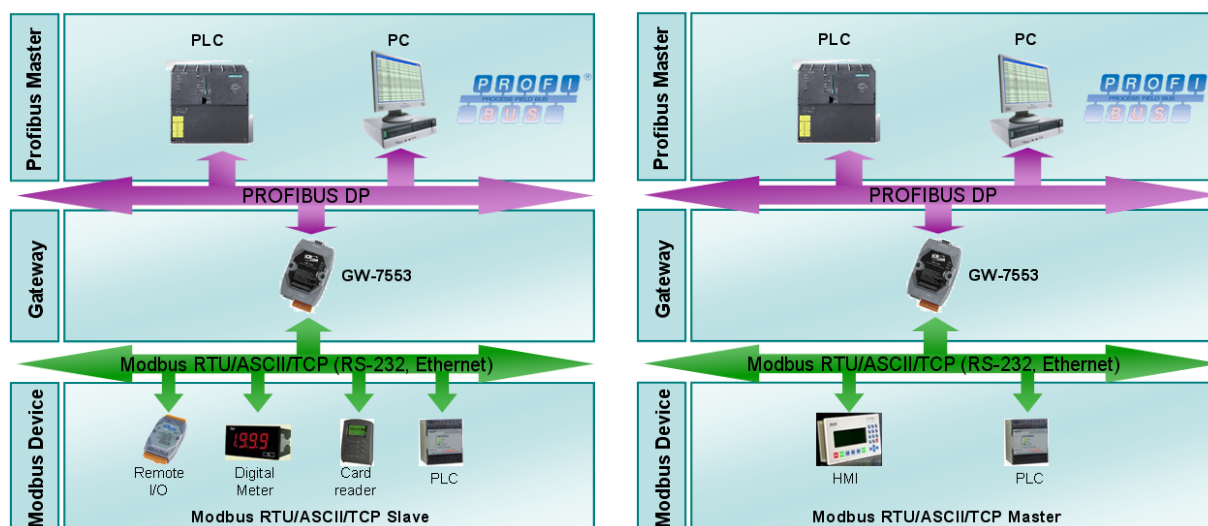
Pin Assignments



Hardware Specifications

Item	GW-7553
CPU	80186, 80 MHz
Flash	512 KB
SRAM	512 KB
EEPROM	16 KB
Watch Dog Timer	CPU Built-in
COM 1	RS-232, Up to 115.2 kbps
Ethernet	10/100Base-TX (Auto-negotiating, Auto_MDIX, LED indicator)
PROFIBUS Interface	9-pin D-Sub(Female)
PROFIBUS Controller	Profichip VPC3+C
PROFIBUS Transceiver	ADI ADM2486 iCoupler Isolated Transceiver
Transmission Rate	Up to 12 Mbps
Power Requirement	10 ~ 30 V _{DC}
Power Consumption	2.5 W
Operating Temp.	-25 ~ +75 °C
Storage Temp.	-30 ~ +85 °C
Humidity	5 ~ 95% RH
Dimensions	72 mm x 33 mm x 119 mm (W x L x H)

Applications



Ordering Information

GW-7553 CR	PROFIBUS/Modbus TCP Gateway
-------------------	-----------------------------