



### Features

- 8 PhotoMos Relay Outputs
- 4 kV ESD Protection
- No Arcing, No Bounce, and No Switching Noise
- Photocouple Isolation
- Embedded Dual Watchdog
- Configurable Power-on Value Settings
- Configurable Safe Value Settings
- Wide Operating Temperature Range: -25 ~ +75°C

### Introduction

Both the I-87069W and the I-87069PW features eight Form A PhotoMOS relay output channels. In comparison to electromechanical relays, the PhotoMOS relays provide a faster response time, greater electrical endurance, higher vibration and shock resistance. There are also no arcing, no bounce, and no switching noise for the PhotoMOS relay. There are options for configuring power-on and safe digital output values, and both the I-87069W and the I-87069PW each include eight LED indicators that are used to display channel status as well as providing 4 kV ESD protection.

### Applications

- All Types of On/Off Control
- Industrial Automation
- Industrial Machinery
- Building Automation
- Food and Beverage Systems
- Semiconductor Fabrication
- Control Systems

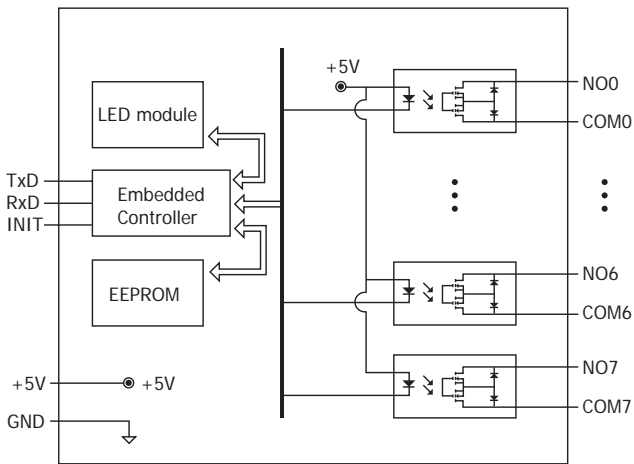
### System Specifications

Models	I-87069W	I-87069PW
<b>Communication</b>		
Interface	RS-485	
Format	(N, 8, 1), (N, 8, 2), (O, 8, 1), (E, 8, 1)	
Baud Rate	1200 ~ 115200 bps	
Protocol	DCON	
Dual Watchdog	Yes, Module (1.6 seconds), Communication (Programmable)	
<b>LED Indicator/Display</b>		
System LED Indicator	1 LED as Power Indicator	
I/O LED Indicator	8 LEDs as PhotoMOS Output Indicators	
<b>Isolation</b>		
Intra-module Isolation, Field-to-Logic	5000 Vdc	2000 Vdc
<b>EMS Protection</b>		
ESD (IEC 61000-4-2)	±4 kV Contact for Each Terminal	
	±8 kV Air for Random Point	
EFT (IEC 61000-4-4)	±4 kV for Power	
<b>Power</b>		
Power Consumption	0.3 W (Max.)	
<b>Mechanical</b>		
Dimensions (W x L x H)	30 mm x 102 mm x 115 mm	
<b>Environment</b>		
Operating Temperature	-25 ~ +75°C	
Storage Temperature	-30 ~ +75°C	
Humidity	10 ~ 95% RH, Non-condensing	

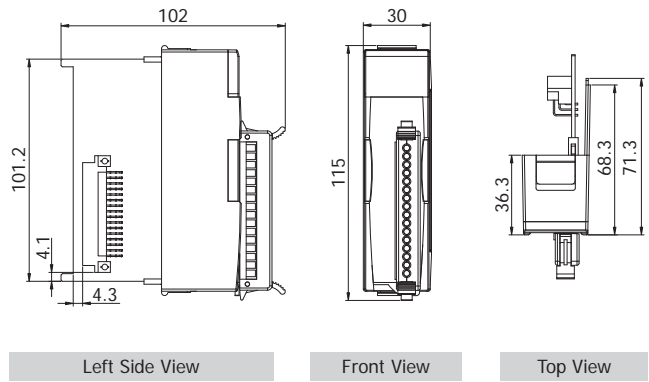
### I/O Specifications

Models	I-87069W	I-87069PW
<b>PhotoMOS Relay Output</b>		
Output Channels	8	
Relay Type	PhotoMOS Relay, Form A	
Operating Load Voltage Range	350 V (AC peak or DC)	80 V (AC peak or DC)
Continuous Load Current	0.13 A	1 A
Peak Load Current	0.4 A	3 A
Output Off State Leakage Current	1 uA	
Operating Time	2 ms (Max.)	5 ms (Max.)
Release Time	1 ms (Max.)	0.5 ms (Max.)
Electrical Endurance	No Arcing, No Bounce, and No Switching Noise	
Power-on Value	Yes	
Safe Value	Yes	

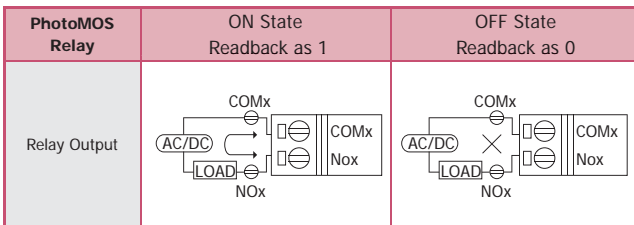
### Internal I/O Structure



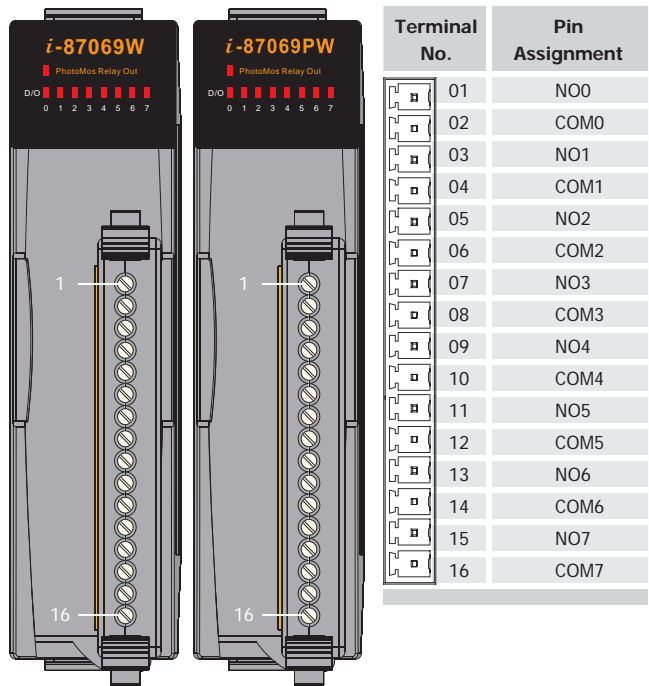
### Dimensions (Units: mm)



### Wire Connections



### Pin Assignments



### Ordering Information

<b>I-87069W-G CR</b>	8-channel PhotoMOS Relay Output Module (Gray Cover) (RoHS)
<b>I-87069PW-G CR</b>	8-channel PhotoMOS Relay Output Module (Gray Cover) (RoHS)

### Accessories

<b>SG-770 CR</b>	7 channel differential or 14 channel single-ended surge protector (RoHS)
------------------	--