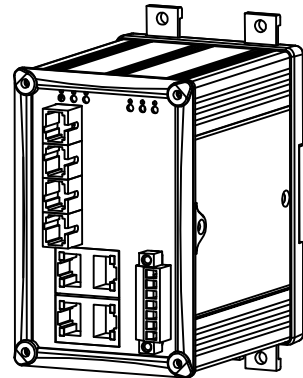
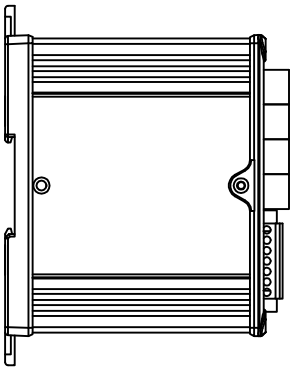


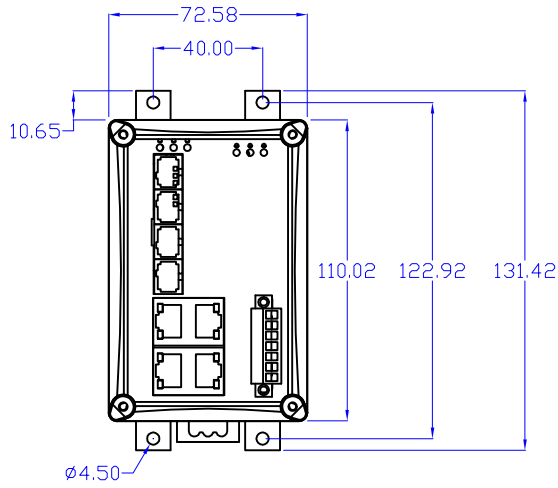
Top View



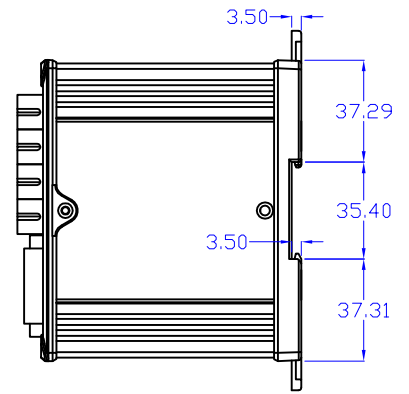
Auxiliary View



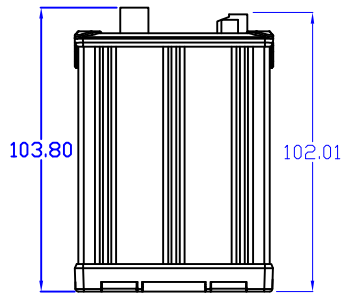
Left Side View



Front View



Right Side View



Bottom View

Unit: mm