



## PDS-734/PDS-734D

Programmable Serial-to-Ethernet Device Servers

### Features

- Networkable serial devices
- "Virtual COM" extend COM ports
- Supports Virtual COM on Windows NT 4.0, 2000/XP/2003 and Vista32
- Powerful programmable device server
- Watchdog timer suitable for use in harsh environments
- 10/100 Base-Tx, RJ-45 port (Auto-negotiating, auto MDI/MDI-X, LED indicator)
- Power reverse polarity protection
- Serial port +/-4 kV ESD protection circuit
- Self-tuner ASIC controller on RS-485 port
- Enables download of programs from PC
- 5-digit display (only for version with display)
- RoHS compliant with No Halogen
- Built-in MiniOS7 of ICP DAS
- ODM Wanted



### Introduction

PDS-700 series is a series of Programmable Serial-to-Ethernet Device Servers designed to meet the most common requirements of Internet/Ethernet applications. Besides the advantage of easy to use on remote control your serial devices through Ethernet network, the PDS-700 comes with a powerful and reliable Xserver programming structure for you to design your robust Ethernet applications in one day.

PDS-700 series is designed for linking RS-232/485/422 devices to Ethernet network. With the help of VxComm utility, the built-in COM port of PDS-700 can be virtualized to standard COM port of host-PC. By virtue of its independent operating system, protocol independence, small size and flexibility, Device servers are able to meet the demand of virtually any network-enable application. Most devices don't have network ports. Our Programmable Device Servers allow those devices to become connected to the network.

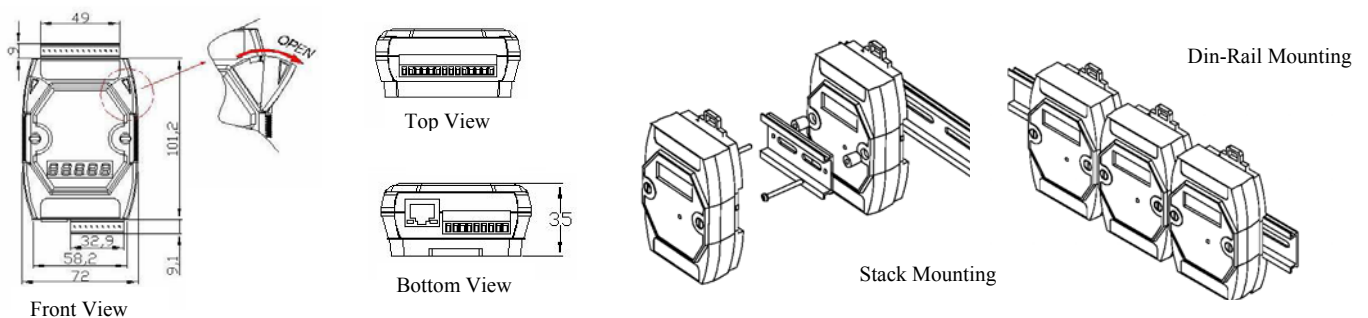
### Applications

- Factory Automation
- Building Automation
- Home Automation

## Specifications

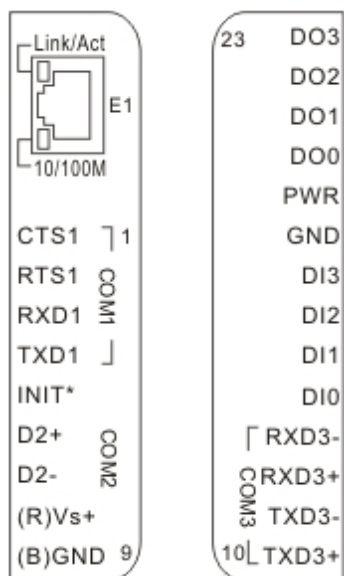
<b>CPU</b>	
CPU	80186-80 MHz or compatible
SRAM	512 K bytes
Flash Memory	Flash ROM: 512 K Bytes ; Erase unit is one sector (64 K bytes) ; 100,000 erase/write cycles
EEPROM	16 K byte; Data retention: 40 years; 1,000,000 erase/write cycles.
Built-in Watchdog Timer	Yes
<b>Communication Interface</b>	
COM1	RS-232(TXD, RXD, RTS, CTS, GND); None-isolation
COM2	RS-485(D2+,D2-); None-isolation Self-tuner ASIC controller on RS-485 port
COM3	RS-422(TXD+, TXD-,RXD+, RXD-); None-isolation
Ethernet Port	10/100 Base-Tx, RJ-45 port (Auto-negotiating, auto MDI/MDI-X, LED indicator)
<b>COM Port Formats</b>	
Data Bit	7, 8: for COM1 and COM2 ; 5, 6, 7, 8: for COM3
Parity	None, Even, Odd, Mark, Space
Stop Bit	1: for COM1, COM2 ; 1, 2: for COM3
Baud Rate	115200 bps Max.
<b>Mounting</b>	
Din Rail Mount	Yes
Wall Mount	Yes
<b>LED Display</b>	
5-Digit 7 Segment LED Display	Yes(for D Version)
System LED Indicator	Yes
<b>Mechanism</b>	
Flammability	Fire Retardant Materials (UL94-V0 Level)
Dimension (W x L x H)	123 mm x 72 mm x 33 mm
<b>Operating Environment</b>	
Operating Temperature	-25 ~ +75 °C
Storage Temperature	-40 ~ +80 °C
<b>Power</b>	
Protection	Power Reverse Polarity Protection
Required Supply Voltage	+10 ~ +30 V <sub>DC</sub> (non-regulated)
Power Consumption	2 W for PDS-734 ; 2.7 W for PDS-734D
<b>Digital Output</b>	
Output Channels	4
Output Type	Open-Collector (Sink/NPN)
Load Voltage	30 V <sub>DC</sub> , max.
Load Current	100 mA, max.
Isolation Voltage	Non-isolation
<b>Digital Input</b>	
Input Channels	4
Input Type	Sink(Dry type), Common Ground
Off Voltage Level	+1 V max.
On Voltage Level	+3.5 ~ +30 V
Isolation Voltage	Non-isolation
Counters	Channels: 4
	Max. Count : 16 bit (65535)
	Max. Input Frequency: 100 Hz
	Min. Pulse Width: 5 ms

## Dimensions



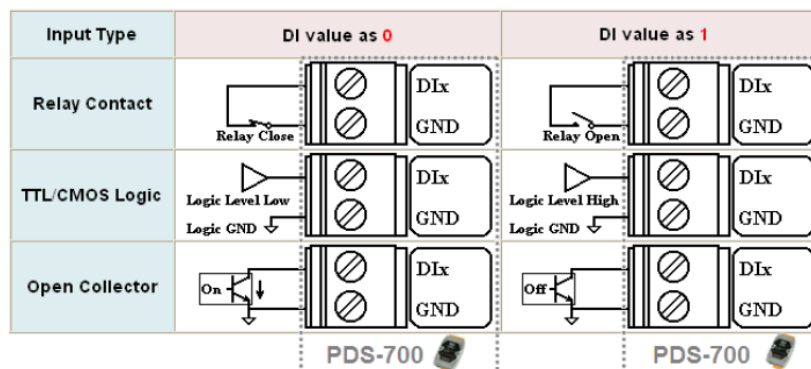


## Pin Assignment

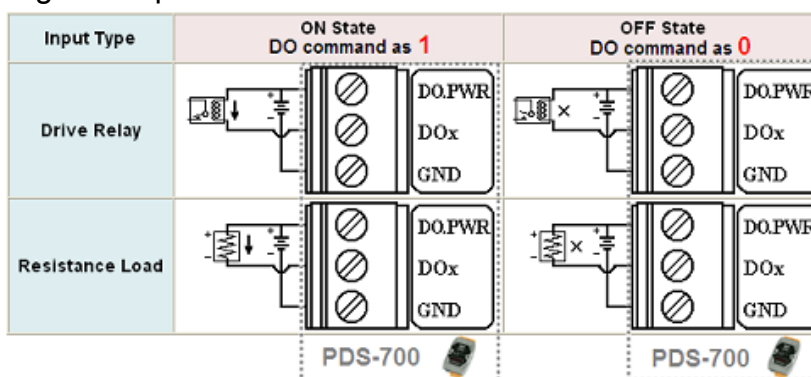


## Wire Connection

### Digital Input



### Digital Output



## Ordering Information

<b>PDS-734 CR</b>	Programmable Device Server with one RS-232, one RS-485, one RS-422, four DI and four DO ports (RoHS): Include one CA-0910 cable
<b>PDS-734D CR</b>	Programmable Device Server with one RS-232, one RS-485, one RS-422, four DI and four DO ports with LED display (RoHS): Include one CA-0910 cable

## Optional Accessories

<b>GPSU06U-6</b>	24 V/0.25 A (max) Power Supply (100 ~ 240 V <sub>AC</sub> Input)
<b>MDR-20-24 CR</b>	24 V/1 A (max) Industrial DIN Rail Power Supply (Universal AC Input, RoHS)
<b>CA-0903</b>	9-Pin Female D-sub & RS-232 connector cable, 30 cm Cable
<b>CA-0910</b>	9-Pin Female D-sub & 3-wire RS-232 cable, 1 M Cable
<b>NS-205 CR</b>	Unmanaged 5-Port Industrial Ethernet Switch



GPSU06U-6



MDR-20-24 CR



CA-0903



CA-0910



NS-205 CR