

---

# PIO-D64/PIO-D64U

---

## User's Manual

### **Warranty**

All products manufactured by ICP DAS are warranted against defective materials for a period of one year from the date of delivery to the original purchaser.

### **Warning**

ICP DAS assume no liability for damages consequent to the use of this product. ICP DAS reserves the right to change this manual at any time without notice. The information furnished by ICP DAS is believed to be accurate and reliable. However, no responsibility is assumed by ICP DAS for its use, nor for any infringements of patents or other rights of third parties resulting from its use.

### **Copyright**

Copyright 2004 by ICP DAS. All rights are reserved.

### **Trademark**

The names used for identification only may be registered trademarks of their respective companies.

---

Tables of Contents

<b>1. Introduction</b>	<b>5</b>
1.1 Features	6
1.2 Specifications	7
1.3 Product Check List	8
1.3.1 Product options	8
<b>2. Hardware configuration</b>	<b>9</b>
2.1 Board Layout	9
2.2 I/O Port Location	10
2.3 Pin Assignments	10
2.4 I/O Operation	12
2.4.1 DO Port Architecture (CN1 & CN3)	12
2.4.2 DI Port Architecture (CN2 & CN4)	13
2.5 Timer/ Counter Architecture	14
2.6 Clock source	16
2.7 Interrupt Operation	17
2.7.1 Interrupt Block Diagram of PIO-D64/PIO-D64U	18
2.7.2 INT_CHAN_0	19
2.7.3 INT_CHAN_1	20
2.7.4 INT_CHAN_2	21
2.8 Daughter Boards	22
2.8.1 DB-16P Isolated Input Board	22
2.8.2 DB-16R Relay Board	23
2.8.3 DB-24PRD, DB-24POR, DB-24C	24
2.8.4 Daughter Board Comparison Table	25
<b>3. I/O Control Register</b>	<b>26</b>
3.1 How to Find the I/O Address	26
3.2 The Assignment of I/O Address	28
3.3 The I/O Address Map	30
3.3.1 RESET\ Control Register	31
3.3.2 AUX Control Register	31
3.3.3 AUX data Register	31
3.3.4 INT Mask Control Register	32
3.3.5 Aux Status Register	33
3.3.6 Interrupt Polarity Control Register	33

---

3.3.7	<i>Read/Write 8254</i> .....	34
3.3.8	<i>Read Card ID</i> .....	34
<b>4.</b>	<b>Software Installation</b> .....	<b>35</b>
4.1	Software Installing Procedure .....	35
4.2	PnP Driver Installation.....	36
<b>5.</b>	<b>DLL Function Description</b> .....	<b>37</b>
5.1	Table of ErrorCode and ErrorString .....	38
5.2	Function Descriptions.....	38
5.3	FUNCTIONS OF TEST .....	39
5.3.1	<i>PIODIO_GetDllVersion</i> .....	39
5.3.2	<i>PIODIO_ShortSub</i> .....	39
5.3.3	<i>PIODIO_FloatSub</i> .....	39
5.4	Digital I/O FUNCTIONS .....	40
5.4.1	<i>PIODIO_OutputByte</i> .....	40
5.4.2	<i>PIODIO_InputByte</i> .....	40
5.4.3	<i>PIODIO_OutputWord</i> .....	41
5.4.4	<i>PIODIO_InputWord</i> .....	41
5.5	Driver Relative Functions .....	42
5.5.1	<i>PIODIO_GetDriverVersion</i> .....	42
5.5.2	<i>PIODIO_DriverInit</i> .....	42
5.5.3	<i>PIODIO_SearchCard</i> .....	43
5.5.4	<i>PIODIO_DriverClose</i> .....	43
5.5.5	<i>PIODIO_GetConfigAddressSpace</i> .....	44
5.6	INTERRUPT FUNCTION .....	45
5.6.1	<i>PIODIO_IntResetCount</i> .....	45
5.6.2	<i>PIODIO_IntGetCount</i> .....	45
5.6.3	<i>PIODIO_IntInstall</i> .....	46
5.6.4	<i>PIODIO_IntRemove</i> .....	46
5.6.5	<i>Architecture of Interrupt mode</i> .....	47
5.7	COUNTER FUNCTION.....	48
5.7.1	<i>PIOD64_SetCounter</i> .....	48
5.7.2	<i>PIOD64_ReadCounter</i> .....	48
5.7.3	<i>PIOD64_SetCounterA</i> .....	49
5.7.4	<i>PIOD64_ReadCounterA</i> .....	49
5.7.5	<i>Program Architecture</i> .....	50
<b>6</b>	<b>Demo Programs for Windows</b> .....	<b>51</b>

---

---

6.1	Digital Input/Output .....	52
6.2	Interrupt of EXTIRQ .....	52
6.3	Counter Function of counter0 .....	53
<b>Appendix</b>	.....	<b>54</b>
Appendix A.	Related DOS Software .....	54
A-1	<i>Where is the related software.</i> .....	54
A-2	<i>DOS LIB Function.</i> .....	55

---

# 1. Introduction

The PIO-D64U card is the new generation product that ICP DAS provides to meet RoHS compliance requirement. The new PIO-D64U card is designed as a drop-in replacement for the PIO-D64, and users can replace the PIO-D64 by the PIO-D64U directly without software/driver modification.

The PIO-D64U universal PCI card supports 3.3 V/5 V PCI bus while the PIO-D64 supports 5 V PCI bus. These cards provide 32-ch digital input and 32-ch digital output that consist of two 16-bit input ports and two 16-bit output ports. The PIO-D64U and PIO-D64 also offer 6-ch counter/timer with four-clock sources, 2 MHz, 1 MHz, 500 kHz and 250 kHz. The user can use the clock source from the soldering pad. 3 of the 6-ch timer/ counter are for general purposes such as frequency measurement, event counting and pulse generation; the other 3 channels are for interrupt function.

The PIO-D64U also adds a Card ID switch and pull-high/ pull-low resistors for DI on-board. Users can set Card ID and recognize the board by the ID via software when using two or more PIO-D64U cards in one computer. The pull-high/ pull-low resistors allow the DI status to be specified when the DI channels are unconnected; the DI status may remain in high or low status other than floating.

The PIO-D64/D64U supports various OS such as Linux, DOS, Windows 98/NT/2000 and Windows 32-bit Windows XP/2003/Vista/7. It also provides the DLL and Active X control, and various language sample program in Turbo C++, Borland c++, Microsoft C++, Visual C++, Borland Delphi, Borland C++ Builder, Visual Basic, C#.NET, Visual Basic.NET and LabVIEW to help users to quickly and easily develop their applications.

---

## 1.1 Features

- Support the +5 V PCI bus for PIO-D64
- Support the +5 V/+3.3 V PCI bus for PIO-D64U
- 32 digital input channels ( strobe control selectable );
- 32 digital output channels;
- Four independent programmable 16-bit timers/counters;
- One 32-bit timer with a 4 MHz clock base;
- Provide clock source: 2 MHz, 1 MHz, 500 KHz, 250 KHz;
- Interrupt source: 3 channels;
- Breadboard area for add-on circuit;
- Five 20-pin flat cable connectors;
- Connect directly to DB-24PR, 24POR, DB-24C, DB-16P, DB-16R;
- SMD, short card, power saving;
- Automatically detected by Windows 95/98/2000/XP.

## 1.2 Specifications

Model Name	PIO-D64	PIO-D64U
<b>Digital Input</b>		
Channels	32	
Compatibility	5 V/TTL	
Input Voltage	Logic 0: 0.8 V max. Logic 1: 2.0 V min.	
Response Speed	1.2 MHz (Typical)	
<b>Digital Output</b>		
Channels	32	
Compatibility	5 V/TTL	
Output Voltage	Logic 0: 0.4 V max. Logic 1: 2.4 V min.	
Output Capability	Sink: 24 mA @ 0.8 V Source: 15 mA @ 2.0 V	
Response Speed	1.2 MHz (Typical)	
<b>Timer/Counter</b>		
Channels	6 (Independent x 3/EVTIRQ x 1/TMRIRQ x 1/EXTIRQ x 1)	
Resolution	16-bit	
Compatibility	5 V/TTL	
Input Frequency	10 MHz max.	
Reference Clock	Internal: 4 MHz	
<b>General</b>		
Bus Type	5 V PCI, 32-bit, 33 MHz	3.3 V/5 V Universal PCI, 32-bit, 33 MHz
Data Bus	8-bit	
Card ID	No	Yes (4-bit)
I/O Connector	20-pin box header x 5	
Dimensions (L x W x D)	156 mm x 110 mm x 22 mm	
Power Consumption	580 mA @ +5 V	
Operating Temperature	0 ~ 60 °C	
Storage Temperature	-20 ~ 70 °C	
Humidity	5 ~ 85% RH, non-condensing	

---

## 1.3 Product Check List

Your package includes the following items:

- One PIO-D64/PIO-D64U card
- One company CD
- One Quick Start Guide

It is recommended to read the Quick Start Guide first. All the necessary and essential information are given in the Quick Start Guide as follows:

- Where to get the software driver, demo programs and other resources.
- How to install the software.
- How to test the card.

### **Attention!**

If any of these items is missed or damaged, contact the dealer from whom you purchased the product. Save the shipping materials and carton in case you want to ship or store the product in the future.

---

#### **1.3.1 Product options**

- DB-24PR, DB-24PRD: 24 channels power relay board;
- DB-24POR: 24 channels PhotoMos output board;
- DB-24C: 24 channels open-collector output board;
- DB-16P: 16 channels isolated D/I board;
- DB-16R: 16 channels relay board.



---

## 2. Hardware configuration

---

### 2.1 Board Layout

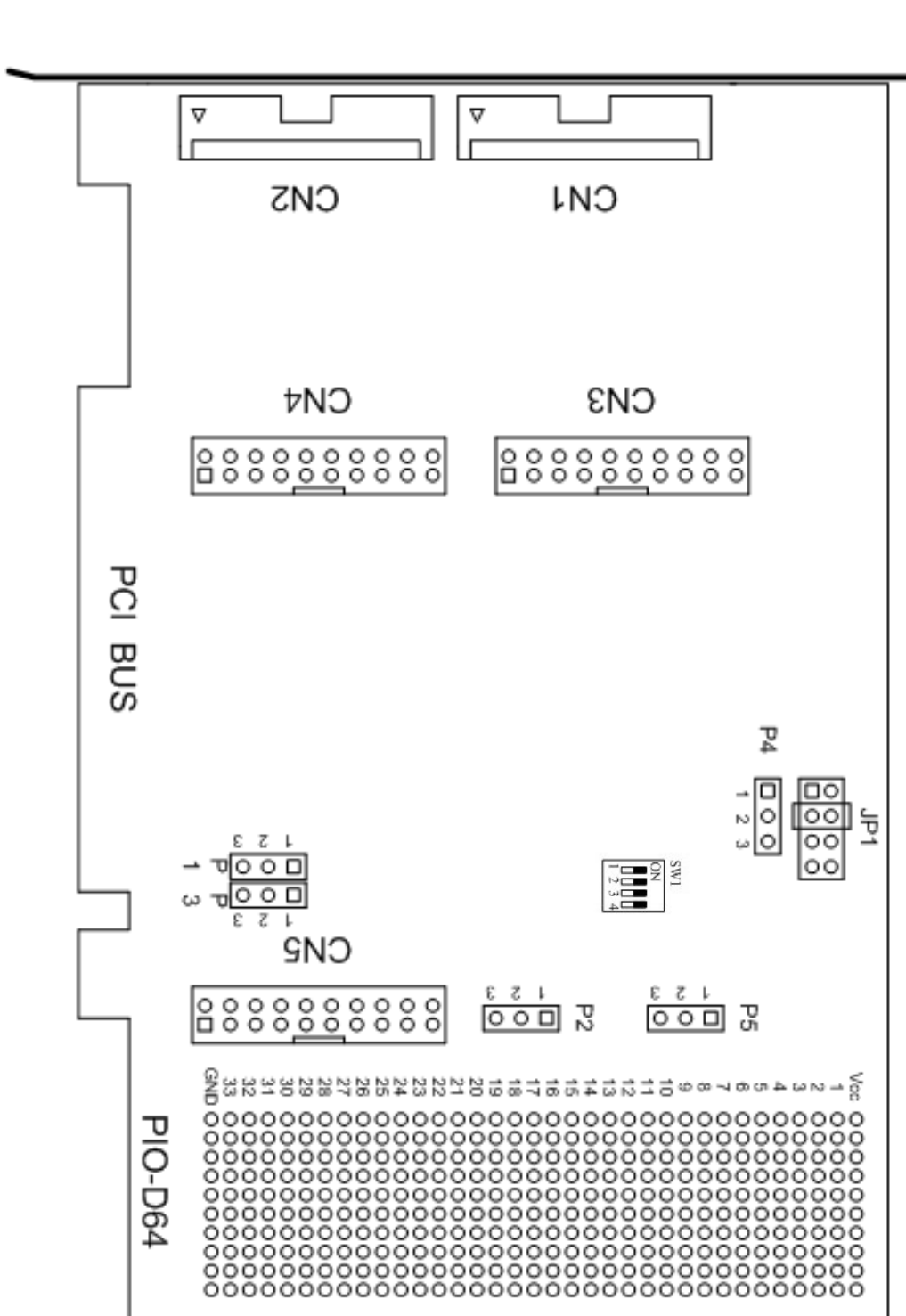


Figure 2.1

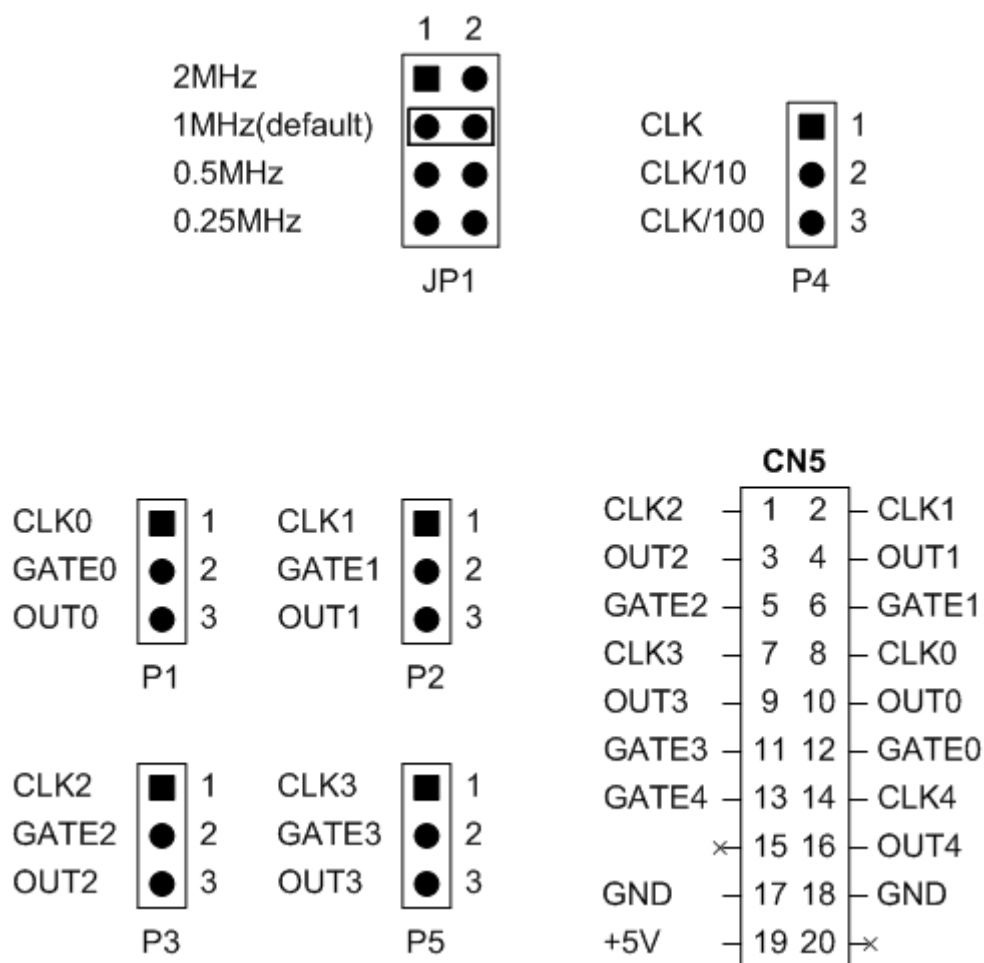
## 2.2 I/O Port Location

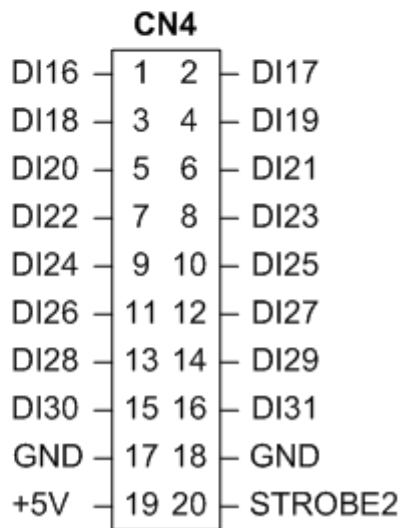
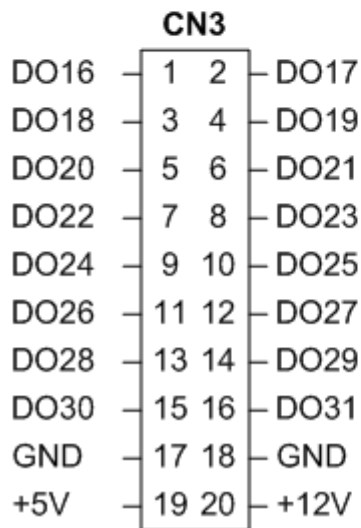
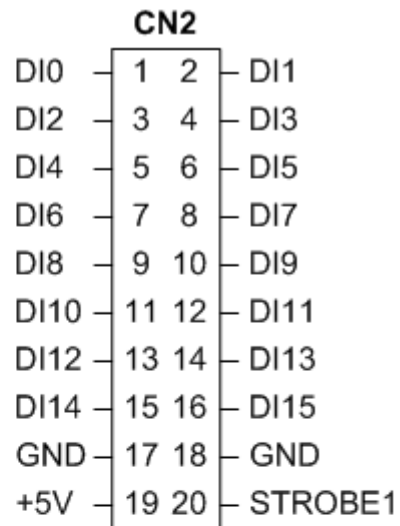
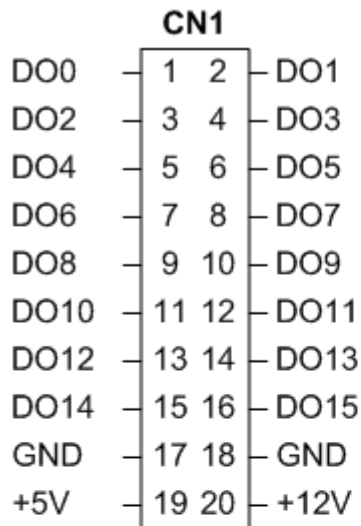
There are two 16-bit digital input ports and two 16-bit digital output ports on the PIO-D64/PIO-D64U. These I/O port locations are given as below and illustrated in Figure 2.1.

Connector of PIO-D64/PIO-D64U	Description
CN1	DO0~DO15
CN2	DI0~DI15
CN3	DO16~DO31
CN4	DI16~DI31

Besides, there is also a connector interface (CN5) for timer and counter function, as shown in Figure 2.1.

## 2.3 Pin Assignments





**All signals are TTL compatible.**

---

## 2.4 I/O Operation

---

### 2.4.1 DO Port Architecture (CN1 & CN3)

When the PC is power-up, all of DO states are clear to low-state by the RESET\ signal. For more information about RESET\ signal, please refer to Sec. 3.1.1. Note that the RESET\ is in Low-state in order to clear all DO states to low level signal. The detail block diagram of DO function is represented as Figure 2.2.

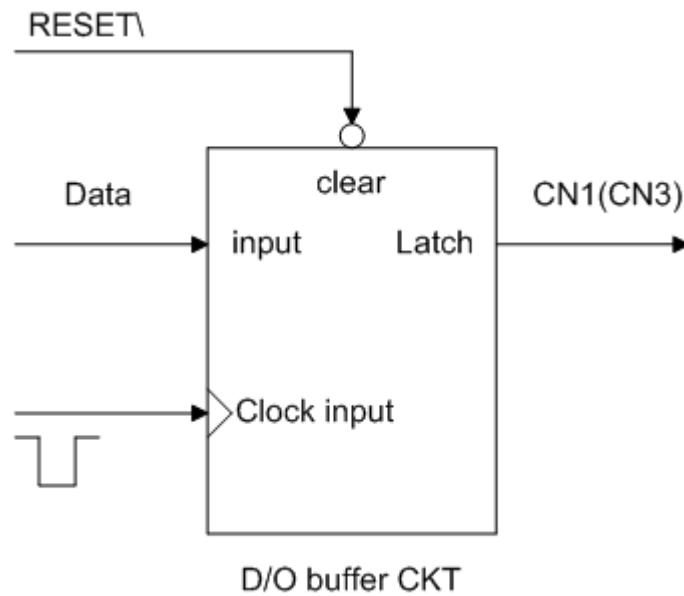


Figure 2.2: Block diagram of DO function

## 2.4.2 DI Port Architecture (CN2 & CN4)

The enable/disable of DI port is controlled by the RESET\ signal, as depicted as below:

- The RESET\ is in Low-state → all DI operation is disable
- The RESET\ is in High-state → all DI operation is enable

Note that when the PC is power-up, all operation of DI port is disabled because RESET\ is in low level. Besides, user may need to latch input data by external strobe single in some application. We provide the following architecture, as shown in Figure 2.3, to allow user to apply the STROBE pin to latch D/I input signal. **If no signal is connected to strobe pin, the input data is transparent.**

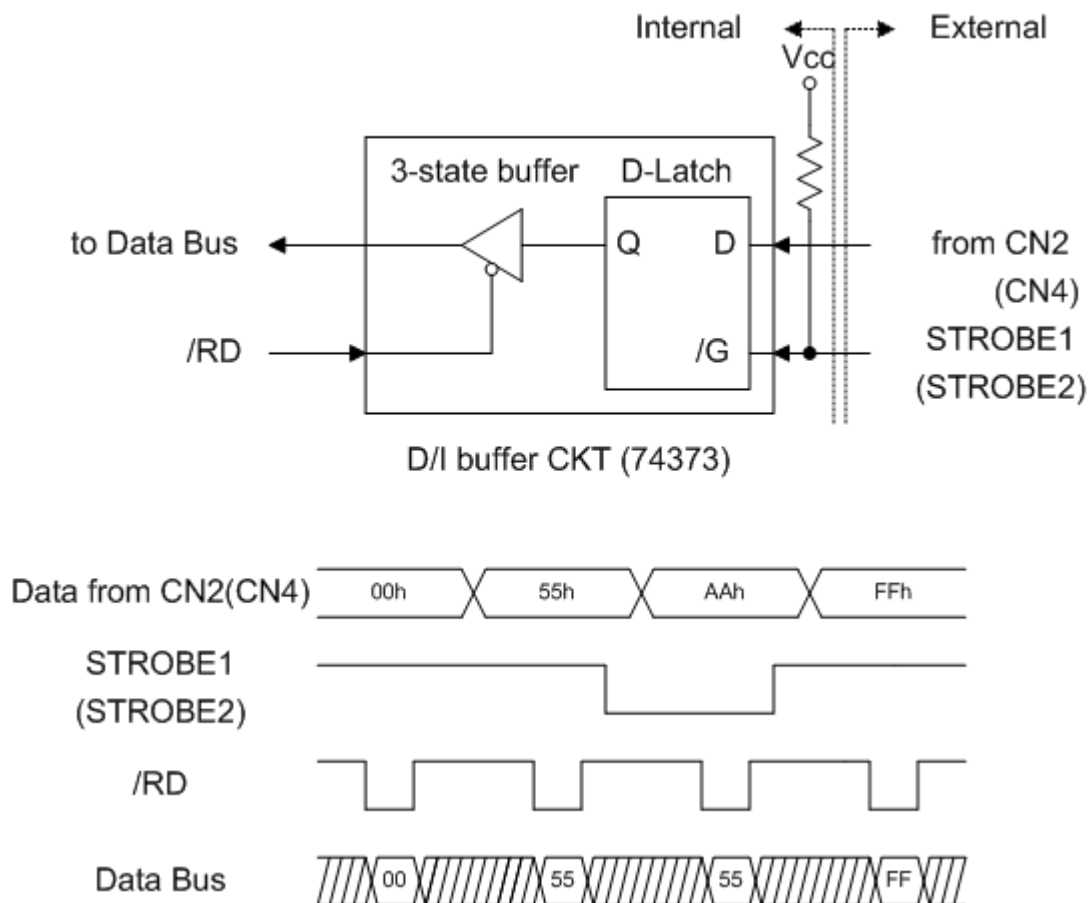


Figure 2.3

---

## 2.5 Timer/ Counter Architecture

PIO-D64/PIO-D64U has two timer/counter chips, 8254. The first 8254 chip is used as general purpose timer/counter, as shown in Figure 2.4. The pin assignment is presented in Sec.2.3.

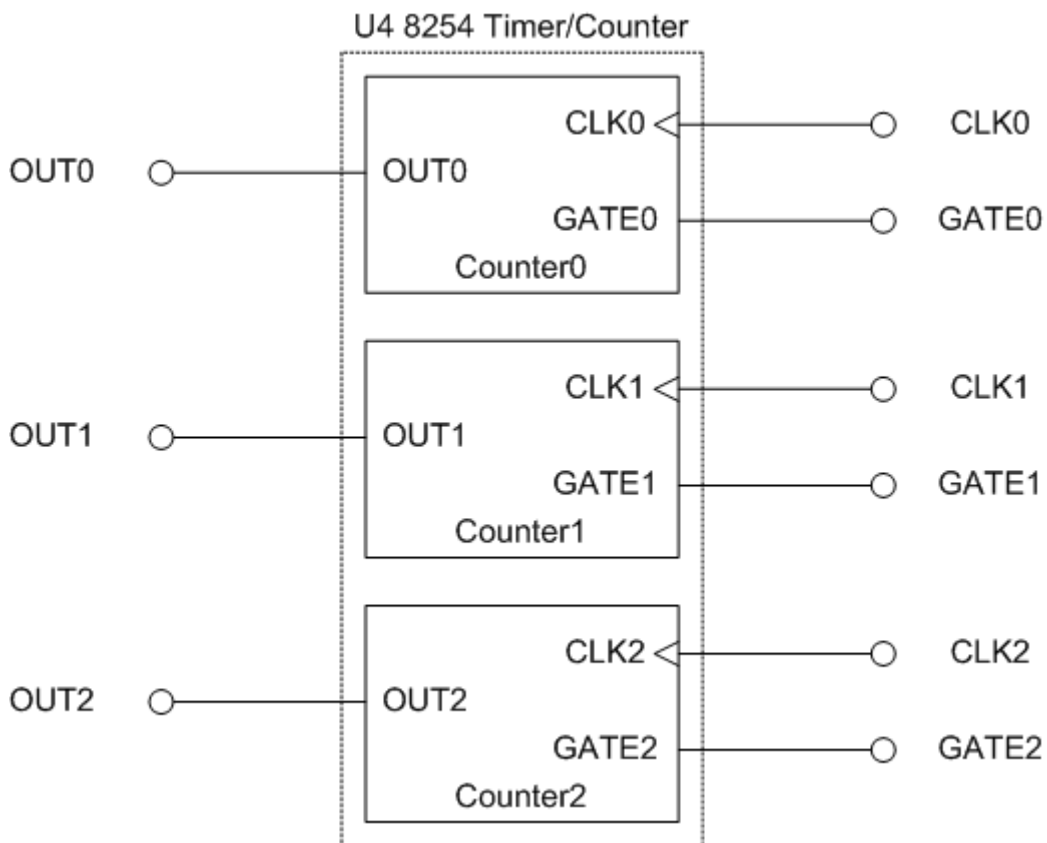


Figure 2.4

The second 8254 chip is used to generate interrupt trigger signals, as shown in Figure 2.5. The Counter3 accept event signal and will generate trigger signal of the interrupt. And the Counter4 and Counter5 are cascaded together, which has clock source 4 MHz. It is used to generate pacer timer trigger of the interrupt.

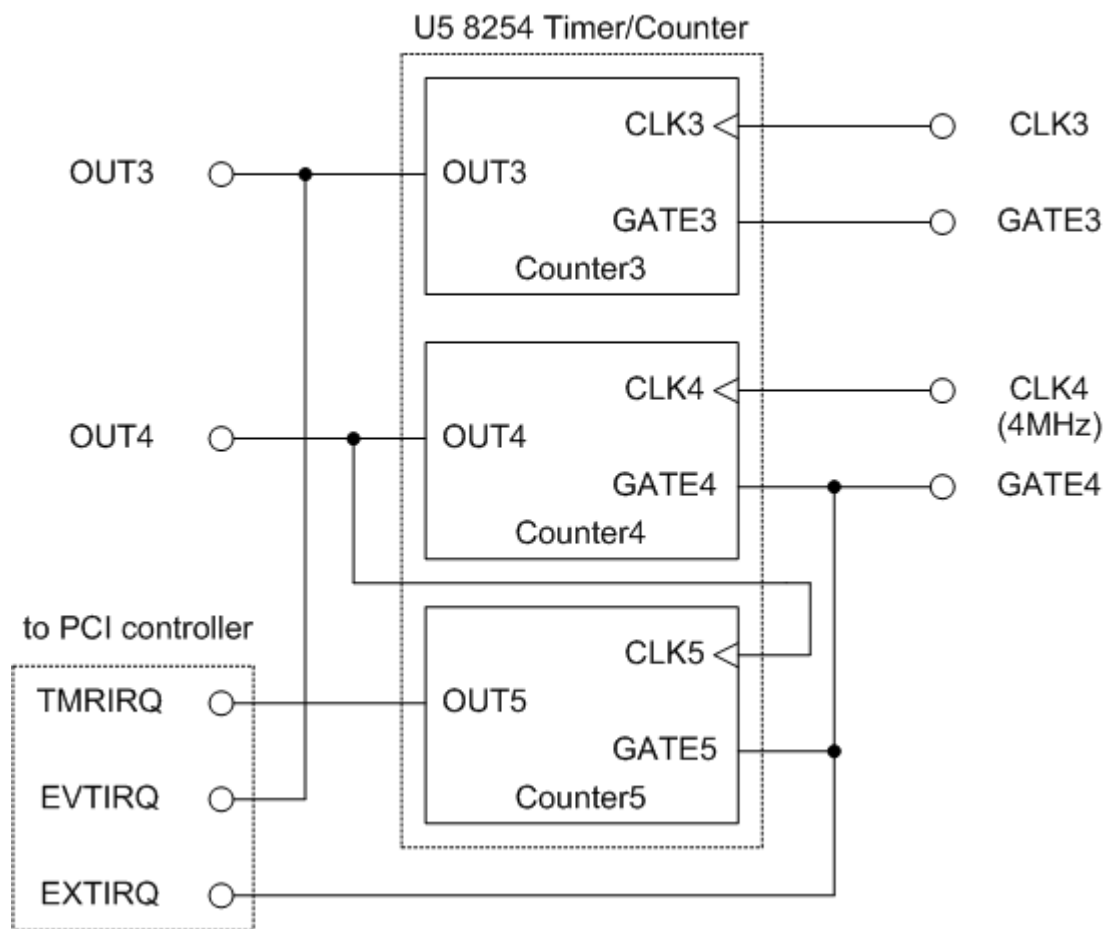
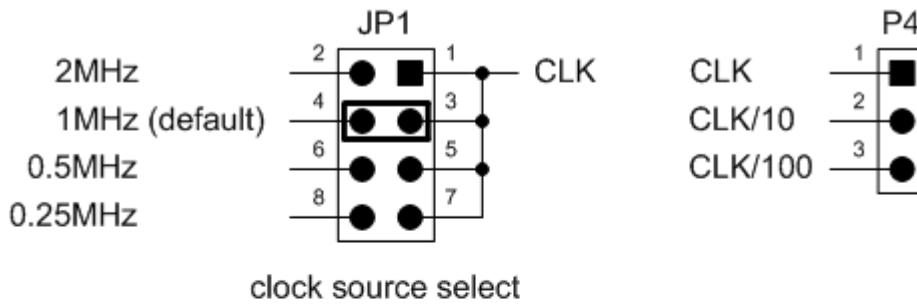


Figure 2.5

**Note: Refer to Sec.2.3 for more information about pin assignment.  
Refer to Sec.2.7 for more information about operation of interrupt.**

## 2.6 Clock source

The PIO-D64 / PIO-D64U provides wide range clock source as below table. By jumper setting of JP1, user can select suitable clock output from the corresponding P4 soldering pad.



JP1 setting	P4 soldering pad clock output		
	P4.1	P4.2	P4.3
1-2	2MHz	200KHz	20KHz
3-4 (default)	1MHz	100KHz	10KHz
5-6	500KHz	50KHz	5KHz
7-8	250KHz	25KHz	2.5KHz



---

## 2.7 Interrupt Operation

There are three interrupt sources in PIO-D64/PIO-D64U. These three signals are named as INT\_CHAN\_0, INT\_CHAN\_1 and INT\_CHAN\_2. Their signal sources are given as follows: **(Refer to Sec. 2.5 for the source of interrupt signal)**

INT\_CHAN\_0: EXTIRQ

INT\_CHAN\_1: EVTIRQ

INT\_CHAN\_2: TMRIRQ

If only one interrupt signal source is used, the interrupt service routine does not have to identify the interrupt source. Refer to DEMO3.C, DEMO4.C and DEMO5.C of DOS operating system for more information.

If there are more than one interrupt source, the interrupt service routine has to identify the active signals as follows: (refer to DEMO6.C of DOS operation system)

1. Read the new status of all interrupt signal sources(refer to Sec 3.1.5)
2. Compare the new status with the old status to identify the active signals
3. If INT\_CHAN\_0 is active, service it
4. If INT\_CHAN\_1 is active, service it
5. If INT\_CHAN\_2 is active, service it
6. Update interrupt status

Note that if the interrupt signal is too short, the new status may be as same as old status. In that condition the interrupt service routine can not identify which interrupt source is active. So the interrupt signal must be hold\_active long enough until the interrupt service routine is executed. This hold\_time is different for different operating system. The hold\_time can be as short as micro-second or as long as second. In general, 20 ms is enough for all operating system.

---

### 2.7.1 Interrupt Block Diagram of PIO-D64/PIO-D64U

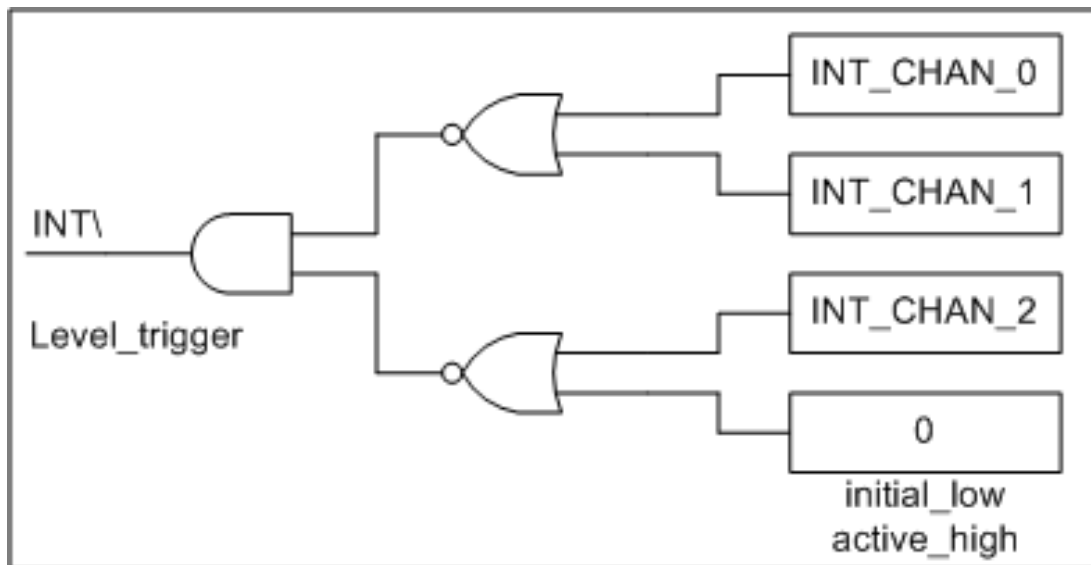


Figure 2.6

The interrupt output signal of PIO-D64/PIO-D64U, `INT\`, is **level-trigger & Active\_Low**. If the `INT\` generates a low-pulse, the PIO-D64/PIO-D64U will interrupt the PC once a time. If the `INT\` is fixed in low level, the PIO-D64/PIO-D64U will interrupt the PC continuously. Therefore, for the normal application, the `INT_CHAN_0/1/2` must be controlled in a **pulse\_type** signals. That is, **they must be fixed in low level state normally and generate a high\_pulse to interrupt the PC.**

The priority of `INT_CHAN_0/1/2` is the same. If all these three signals are active at the same time, then `INT\` will be active only once a time. So the interrupt service routine has to read the status of all interrupt channels for multi-channel interrupt. Refer to `DEMO6.C` in DOS operating system for demonstrate the application under the condition of both `INT_CHAN_1` and `INT_CHAN_2`.

If only one interrupt source is used, the interrupt service routine doesn't have to read the status of interrupt source. The demo programs, `DEMO3.C`, `DEMO4.C` and `DEMO5.C` in DOS operating system, are designed for single-channel interrupt application as follows:

`DEMO3.C` → for `INT_CHAN_0` only

`DEMO4.C` → for `INT_CHAN_1` only

`DEMO5.C` → for `INT_CHAN_2` only

---

## 2.7.2 INT\_CHAN\_0

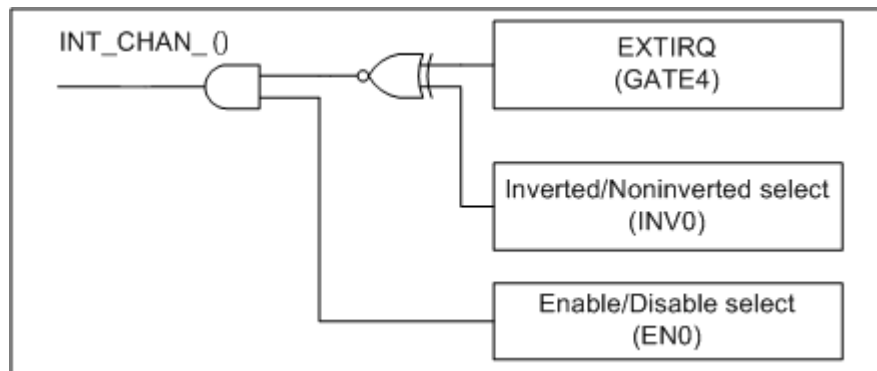


Figure 2.7

Figure 2.7 illustrates the control method of external interrupt. Note that the signal source comes from GATE4. The INV0 is used to invert/non-invert the trigger signal source and EN0 is used to disable/enable the timer interrupt (Pin13 of CN5) (Refer to Sec. 2.5 for the source of interrupt signal). **The INT\_CHAN\_0 must be fixed in low level state normally and generated a high\_pulse to interrupt the PC.**

1. The EN0 can be used to enable/disable the INT\_CHAN\_0 as follows: (refer to Figure 2.7 and Sec. 3.1.4)
  - EN0=0 → INT\_CHAN\_0=disable
  - EN0=1 → INT\_CHAN\_0=enable
2. The INV0 can be used to invert/non-invert the EXTIRQ as follows: (Refer to Figure 2.7 and Sec. 3.1.6)
  - INV0=0 → INT\_CHAN\_0=inverted state of EXTIRQ
  - INV0=1 → INT\_CHAN\_0=non-inverted state of EXTIRQ

**NOTE: Refer to DEMO3.C in DOS operating system for more information.**

---

### 2.7.3 INT\_CHAN\_1

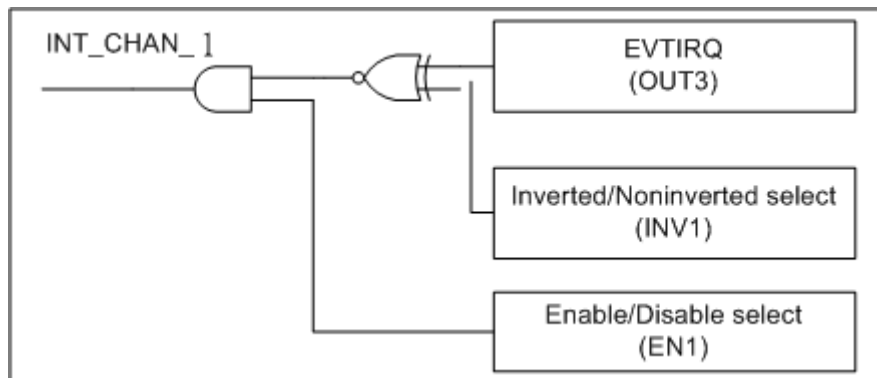


Figure 2.8

Figure 2.8 illustrates the control method of event interrupt. Note that the signal source comes from OUT3. The INV1 is used to invert/non-invert the trigger signal source and EN1 is used to disable/enable the timer interrupt (Refer to Sec. 2.5 for the source of interrupt signal). User can use Counter3 as event counter to count the event signal that comes from Pin7 of CN5. When the amount of event is the same as counter3 setting, the interrupt of INT\_CHAN\_1 will be trigger. **The INT\_CHAN\_1 must be fixed in low level state normally and generated a high\_pulse to interrupt the PC.**

1. The EN1 can be used to enable/disable the INT\_CHAN\_1 as follows: (refer to Figure 2.8 and Sec. 3.1.4)
  - EN1=0 → INT\_CHAN\_1=disable
  - EN1=1 → INT\_CHAN\_1=enable
2. The INV1 can be used to invert/non-invert the EVTIRQ as follows: (Refer to Figure 2.8 and Sec. 3.1.6)
  - INV1=0 → INT\_CHAN\_1=inverted state of EVTIRQ
  - INV1=1 → INT\_CHAN\_1=non-inverted state of EVTIRQ

**NOTE: Refer to DEMO4.C in DOS operating system for more information.**

---

## 2.7.4 INT\_CHAN\_2

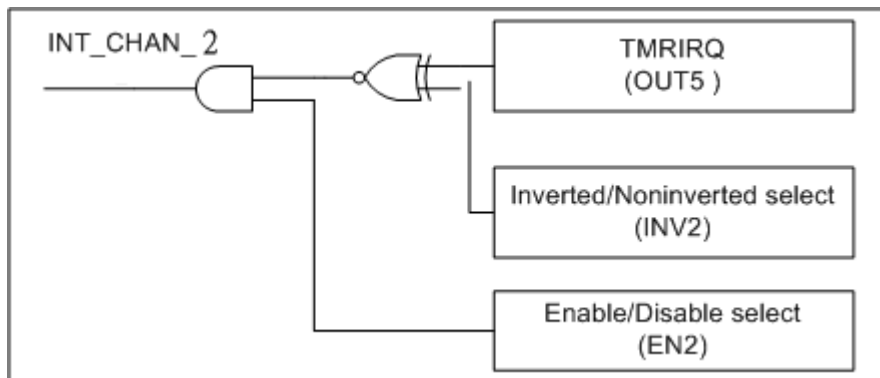


Figure 2.9

Figure 2.9 illustrates the control method of timer interrupt. Note that the signal source comes from OUT5. The INV2 can be used to invert/non-invert the Trigger signal source and EN2 is used to disable/enable the timer interrupt (Refer to Sec.2.5 for the source of interrupt signal). **Note that the INT\_CHAN\_2 must be fixed in low level state normally and generated a high\_pulse to interrupt the PC.** Because Counter4 and Counter5 are cascaded together, it can be used as 32-bit timer base on 4 MHz clock source.

1. The EN2 can be used to enable/disable the INT\_CHAN\_2 as follows: (refer to Figure 2.9 and Sec. 3.1.4)
  - EN2=0 → INT\_CHAN\_2=disable
  - EN2=1 → INT\_CHAN\_2=enable
2. The INV2 can be used to invert/non-invert the TMRIRQ as follow2: (Refer to Figure 2.9 and Sec. 3.1.6)
  - INV2=0 → INT\_CHAN\_2=inverted state of TMRIRQ
  - INV2=1 → INT\_CHAN\_2=non-inverted state of TMRIRQ

**NOTE: Refer to DEMO5.C in DOS operating system for more information.**

---

## 2.8 Daughter Boards

---

### 2.8.1 DB-16P Isolated Input Board

The DB-16P is a 16-channel isolated digital input daughter board. The optically isolated inputs of the DB-16P consist of a bi-directional photo-coupler with a resistor for current limiting. You can use the DB-16P to sense DC signal from TTL levels up to 24 V or use the DB-16P to sense a wide range of AC signals. You can use this board to isolate the computer from large common-mode voltage, ground loops and transient voltage spike that often occur in industrial environments. The detail function block diagram is shown as Figure 2.10.

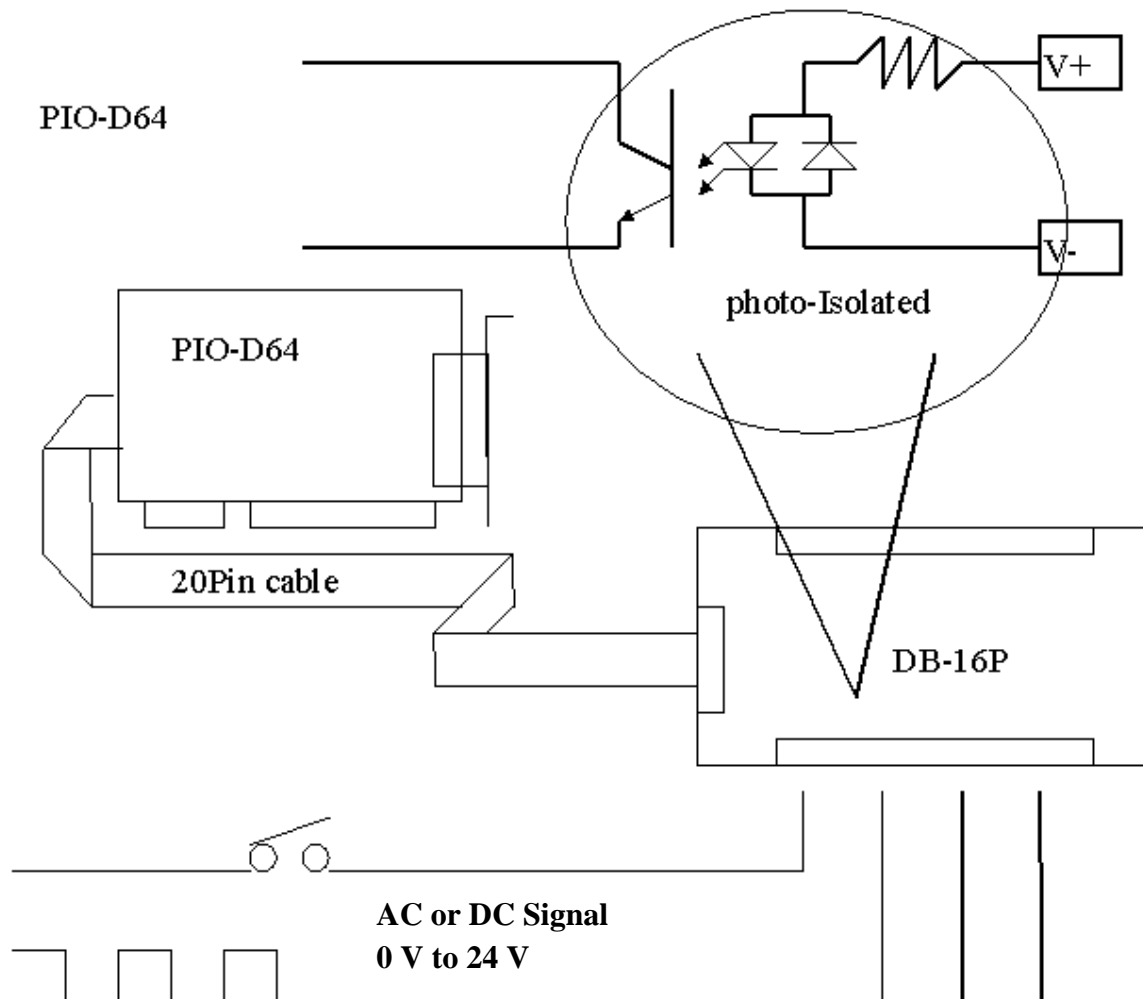


Figure 2.10

---

## 2.8.2 DB-16R Relay Board

The DB-16R is a 16-channels relay output board, which consists of 16 form C relays for efficient switch of load by programmable control. The relay are energized by applying 12 V/24 V voltage signal to the appropriated relay channel on the 20-pin flat connector. There are 16 enunciator LED's on the relay daughter board. The LED's light when their associated relay is activated. The detail function block diagram is shown as Figure 2.11.

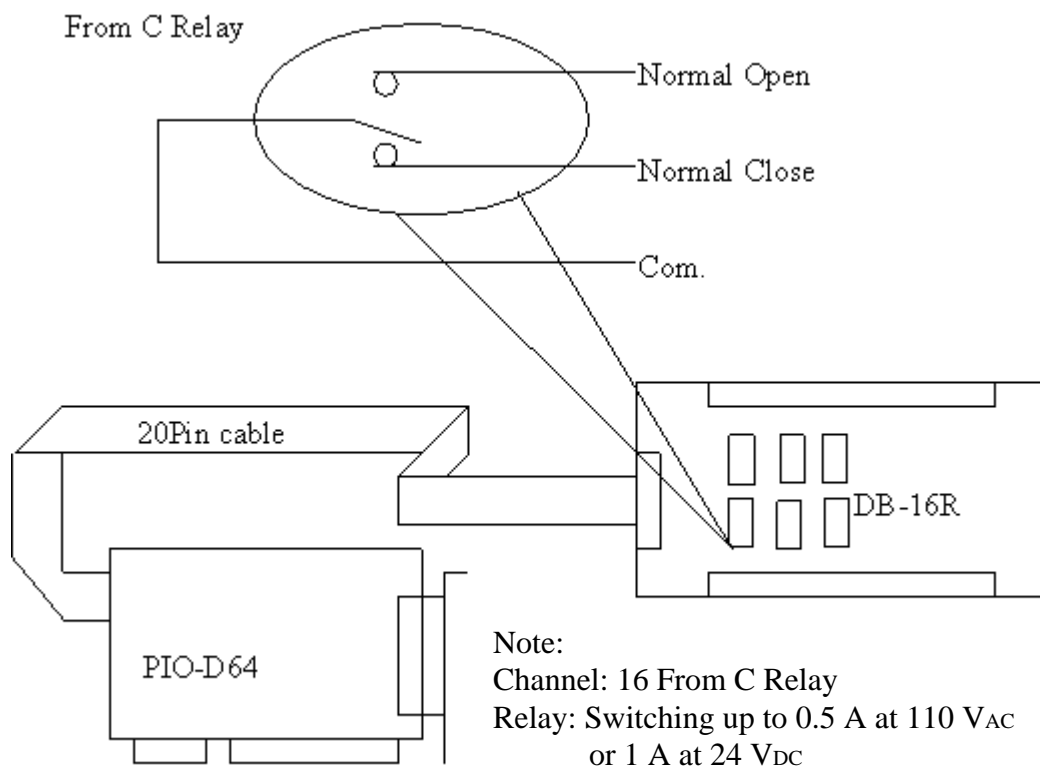


Figure 2.11

### 2.8.3 DB-24PRD, DB-24POR, DB-24C

DB-24PR	24*power relay, 5 A/250 V
DB-24POR	24*photoMOS relay, 0.1 A/350 V <sub>AC</sub>
DB-24C	24*open collector, 100 mA per channel, 30 V max.

The DB-24PR, is a 24-channel power relay output board, which consists of 8 form C and 16 form A electromechanical relays for efficient switching of load programmable control. The contact of each relay can control a 5 A load at 250 V<sub>AC</sub>/30 V<sub>DC</sub>. The relay is energized by applying a 5 voltage signal to the appropriate relay channel on the 20-pin flat cable connector (just used 16 relays) or 50-pin flat cable connector (OPTO-22 compatible, for DIO-24 series). There are 24 enunciator LED's on the relay daughter board. The LED's light when their associated relay is activated. To avoid overloading your PC's power supply, this board needs a +12 V<sub>DC</sub> or +24 V<sub>DC</sub> external power supply. The detail function block diagram is shown as Figure 2.12.

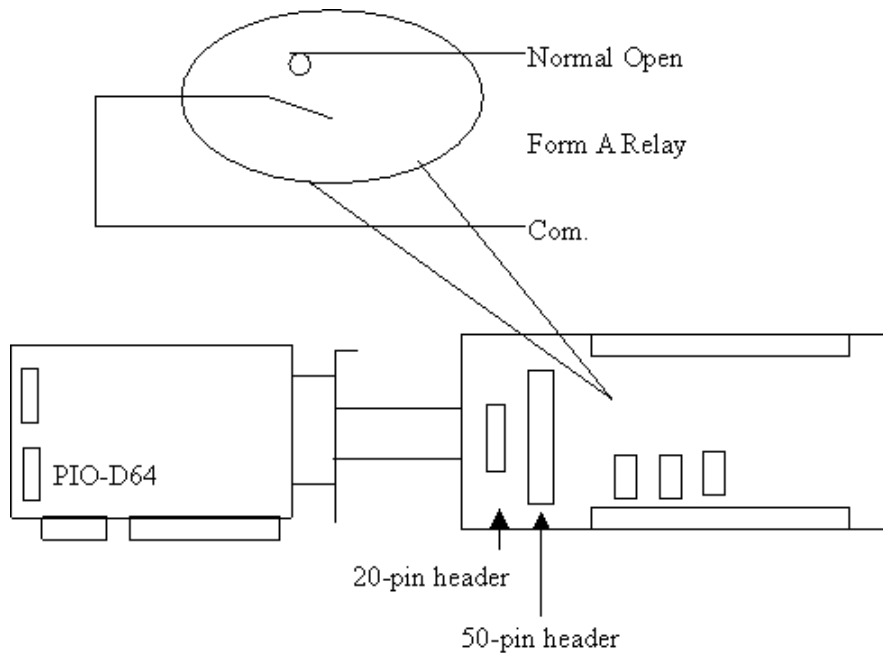


Figure 2.12

Note:

50-Pin connector (OPTO-22 compatible), for DIO-24, DIO-48, DIO-144,  
PIO-D144, PIO-D96, PIO-D56, PIO-D48, PIO-D24, PIO-D168(A)

Channel: 16 Form A Relays, 8 Form C Relay

Relay: switching up to 5 A at 110 V<sub>AC</sub> / 5 A at 30 V<sub>DC</sub>



---

## 2.8.4 Daughter Board Comparison Table

	20-pin flat-cable header	50-pin flat-cable header	DB-37 header
DB-37	No	No	Yes
DN-37	No	No	Yes
ADP-37/PCI	No	Yes	Yes
ADP-50/PCI	No	Yes	No
DB-24P	No	Yes	No
DB-24PD	No	Yes	Yes
DB-16P8R	No	Yes	Yes
DB-24R	No	Yes	No
DB-24RD	No	Yes	Yes
DB-24C	Yes	Yes	Yes
DB-24PR	Yes	Yes	No
Db-24PRD	No	Yes	Yes
DB-24POR	Yes	Yes	Yes
DB-24SSR	No	Yes	Yes

NOTE: The PIO-D64/PIO-D64U only has 20-pin flat-cable header.

---

## 3. I/O Control Register

---

### 3.1 How to Find the I/O Address

The plug & play BIOS will assign a proper I/O address to every PIO/PISO series card in the power-up stage. The IDs of PIO-D64 card are given as follows:

**< REV 1.0 > :**

- Vendor ID = 0xE159
- Device ID = 0x0002
- Sub-vendor ID = 0x80
- Sub-device ID = 0x01
- Sub-aux ID = 0x20

**< REV 2.0 > :**

- Vendor ID = 0xE159
- Device ID = 0x0001
- Sub-vendor ID = 0x4080
- Sub-device ID = 0x01
- Sub-aux ID = 0x20

The utility program, PIO\_PISO.EXE, will detect and present all information of PIO/PISO cards installed in this PC, as shown in following figure. Besides, how to identify the PIO series cards of ICPDAS data acquisition board by the sub-vender, sub-device and sub-Aux ID is given in table 3-1.

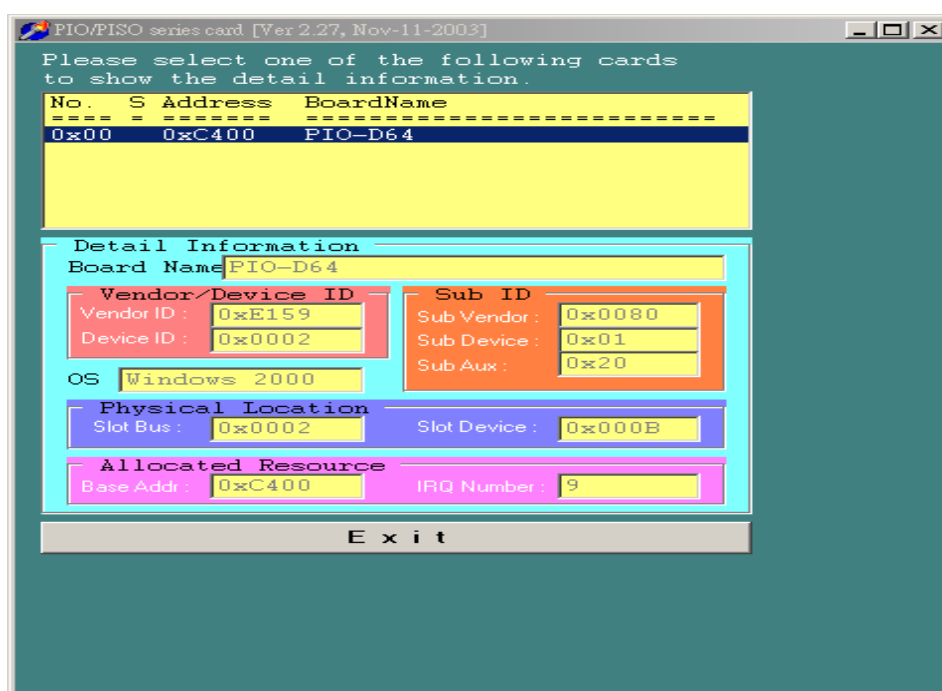


Figure 3.1

The Sub-IDs of PIO/PISO series card are given as follows:

Table 3.1

PIO/PISO series card	Description	Sub_vendor	Sub_Device	Sub_AUX
PIO-D168	168 * DIO	9880	01	50
PIO-D168A	168 * DIO	80	01	50
PIO-D144(REV4.0)	144 * D/I/O	80(5C80)	01	00
PIO-D96	96 * D/I/O	80	01	10
PIO-D64(REV 2.0)	64 * D/I/O	80 (4080)	01	20
PIO-D56	24 * D/I/O + 16 * D/I+16*D/O	80	01	40
PIO-D48	48 * D/I/O	80	01	30
PIO-D24	24 * D/I/O	80	01	40
PIO-823	Multi-function	80	03	00
PIO-821	Multi-function	80	03	10
PIO-DA16	16 * D/A	80	04	00
PIO-DA8	8 * D/A	80	04	00
PIO-DA4	4 * D/A	80	04	00
PISO-C64	64 * isolated D/O ( <b>Current sinking</b> )	80	08	00
PISO-A64	64 * isolated D/O ( <b>Current sourcing</b> )	80	08	50
PISO-P64	64 * isolated D/I	80	08	10
PISO-P32C32	32* isolated D/O ( <b>Current sinking</b> ) + 32* isolated D/I	80	08	20
PISO-P32A32	32*isolated DO ( <b>Current sourcing</b> ) + 32* isolated D/I	80	08	70
PISO-P8R8	8* isolated D/I + 8 * 220 V relay	80	08	30
PISO-P8SSR8AC	8* isolated D/I + 8 * SSR /AC	80	08	30
PISO-P8SSR8DC	8* isolated D/I + 8 * SSR /DC	80	08	30
PISO-730	16*DI + 16*D/O + 16* isolated D/I + 16*isolated D/O ( <b>Current sinking</b> )	80	08	40
PISO-730A	16*DI + 16*D/O + 16* isolated D/I + 16*isolated D/O ( <b>Current sourcing</b> )	80	08	80
PISO-813	32 * isolated A/D	80	0A	00
PISO-DA2	2 * isolated D/A	80	0B	00

**Note: If the board has different version, it may has different Sub IDs. But no matter which version of the board you select, we offer the same function calls.**

---

## 3.2 The Assignment of I/O Address

The Plug & Play BIOS will assign the proper I/O address to PIO/PISO series card. If there is only one PIO/PISO board, the user can identify the board as card\_0. If there are two PIO/PISO boards in the system, it is very difficult to identify which board is card\_0. The software driver can support the maximum 16 boards. Therefore, the user can install 16 boards of PIO/PSIO series cards in one PC system. For how to find and identify the card\_0, card\_1 and the others is demonstrated as below:

**The simplest way to identify which card is card\_0 is to use wSlotBus & wSlotDevice as follows:**

1. Remove all PIO-D64/PIO-D64U from this PC
2. Install one PIO-D64/PIO-D64U into the PC's PCI\_slot1, run PIO\_PISO.EXE and record the wSlotBus1 & wSlotDevice1
3. Remove all PIO-D64/PIO-D64U from this PC
4. Install one PIO-D64/PIO-D64U into the PC's PCI\_slot2, run PIO\_PISO.EXE and record the wSlotBus2 & wSlotDevice2
5. Repeat (3) & (4) for all PCI\_slot?, record all wSlotBus? & wSlotDevice?

The records may be as follows:

Table 3-2

PC's PCI slot	WslotBus	WslotDevice
Slot_1	0	0x07
Slot_2	0	0x08
Slot_3	0	0x09
Slot_4	0	0x0A
PCI-BRIDGE		
Slot_5	1	0x0A
Slot_6	1	0x08
Slot_7	1	0x09
Slot_8	1	0x07

---

The above procedure records all information of wSlotBus and wSlotDevice in this PC. These values will be mapped to this PC's physical slot. And this mapping will not be changed for any PIO/PISO cards. Therefore, this information can be used to identify the specified PIO/PISO card by following steps:

**Step1: Using the information of wSlotBus and wSlotDevice in table 3-2**

**Step2: Input board number into function PIO\_GetConfigAddressSpace(...) to get the specified card's information, especially wSlotBus and wSlotDevice**

**Step3: The user can identify the specified PIO/PISO card by comparing the data of the wSlotBus & wSlotDevice in step1 and step2.**

Note that normally the card installed in slot 0 is the card0 and card installed in slot1 is the card1 for PIO/PISO series cards.

### 3.3 The I/O Address Map

The I/O address of PIO/PISO series card is automatically assigned by the main board ROM BIOS. The I/O address can also be re-assigned by user. **It is strongly recommended not to change the I/O address by user. The Plug & Play BIOS will assign proper I/O address to each PIO/PISO series card very well.** The I/O addresses of PIO-D64/PIO-D64U are given as follows, which are based on the base address of each card.

Table 3-3

Address	Read	Write
wBase+0	RESET\ control register	Same
wBase+2	Aux control register	Same
wBase+3	Aux data register	Same
wBase+5	INT mask control register	Same
wBase+7	Aux pin status register	Same
wBase+0x2a	INT polarity control register	Same
wBase+0xc0	DI0~DI7	DO0~DO7
wBase+0xc4	DI8~DI15	DO8~DO15
wBase+0xc8	DI16~DI23	DO16~DO23
wBase+0xcc	DI24~DI31	DO24~DO31
wBase+0xd0	Read U4 8254-counter0	Write U4 8254-counter0
wBase+0xd4	Read U4 8254-counter1	Write U4 8254-counter1
wBase+0xd8	Read U4 8254-counter2	Write U4 8254-counter2
wBase+0xdc	Read U4 8254 control word	Write U4 8254 control word
wBase+0xe0	Read U5 8254-counter3	Write U5 8254-counter3
wBase+0xe4	Read U5 8254-counter4	Write U5 8254-counter4
wBase+0xe8	Read U5 8254-counter5	Write U5 8254-counter5
wBase+0xec	Read U5 8254 control word	Write U5 8254 control word
wBase+0xf4	Read Card ID	

**Note. Refer to Sec. 3.1 for more information about wBase.**

---

---

### 3.3.1 RESET\ Control Register

(Read/Write): wBase+0

Bit 7	Bit 6	Bit 5	Bit 4	Bit 3	Bit 2	Bit 1	Bit 0
Reserved	Reserved	Reserved	Reserved	Reserved	Reserved	Reserved	RESET\

**Note. Refer to Sec. 3.1 for more information about wBase.**

When the PC is first power-up, the RESET\ signal is in Low-state. **This will disable all D/I/O operations.** The user has to set the RESET\ signal to High-state before any D/I/O command.

```
outportb(wBase,1);      /* RESET\ = High → all D/I/O are enable now */
outportb(wBase,0);      /* RESET\ = Low → all D/I/O are disable now */
```

---

---

### 3.3.2 AUX Control Register

(Read/Write): wBase+2

Bit 7	Bit 6	Bit 5	Bit 4	Bit 3	Bit 2	Bit 1	Bit 0
Aux7	Aux6	Aux5	Aux4	Aux3	Aux2	Aux1	Aux0

**Note. Refer to Sec. 3.1 for more information about wBase.**

Aux?=0 → this Aux is used as a D/I

Aux?=1 → this Aux is used as a D/O

When the PC is first power-on, All Aux? signal are in Low-state. All Aux? are designed as D/I for all PIO/PISO series. Please set all Aux? in D/I state.

---

---

### 3.3.3 AUX data Register

(Read/Write): wBase+3

Bit 7	Bit 6	Bit 5	Bit 4	Bit 3	Bit 2	Bit 1	Bit 0
Aux7	Aux6	Aux5	Aux4	Aux3	Aux2	Aux1	Aux0

**Note. Refer to Sec. 3.1 for more information about wBase.**

When the Aux? is used as D/O, the output state is controlled by this register.

This register is designed for feature extension, so don't control this register now.

---

---

### 3.3.4 INT Mask Control Register

(Read/Write): wBase+5

Bit 7	Bit 6	Bit 5	Bit 4	Bit 3	Bit 2	Bit 1	Bit 0
0	0	0	0	EN3	EN2	EN1	EN0

**Note. Refer to Sec. 3.1 for more information about wBase.**

EN0=0 → disable INT\_CHAN\_0 as a interrupt signal (default)

EN0=1 → enable INT\_CHAN\_0 as a interrupt signal

EN1=0 → disable INT\_CHAN\_1 as a interrupt signal (default)

EN1=1 → enable INT\_CHAN\_1 as a interrupt signal

EN2=0 → disable INT\_CHAN\_2 as a interrupt signal (default)

EN2=1 → enable INT\_CHAN\_2 as a interrupt signal

EN3=0 → disable INT\_CHAN\_3 as a interrupt signal (default)

EN3=1 → enable INT\_CHAN\_3 as a interrupt signal

```
outportb(wBase+5,0);      /* disable all interrupts          */
outportb(wBase+5,1);      /* enable interrupt of INT_CHAN_0  */
outportb(wBase+5,2);      /* enable interrupt of INT_CHAN_1  */
outportb(wBase+5,4);      /* enable interrupt of INT_CHAN_2  */
outportb(wBase+5,7);      /* enable all four channels of interrupt */
```

Refer to the following demo program for more information:

DEMO3.C of DOS → for INT\_CHAN\_0 only

DEMO4.C of DOS → for INT\_CHAN\_1 only

DEMO5.C of DOS → for INT\_CHAN\_2 only

DEMO6.C of DOS → for INT\_CHAN\_1 and INT\_CHAN\_2



---

### 3.3.5 Aux Status Register

(Read/Write): wBase+7

Bit 7	Bit 6	Bit 5	Bit 4	Bit 3	Bit 2	Bit 1	Bit 0
Aux7	Aux6	Aux5	Aux4	Aux3	Aux2	Aux1	Aux0

**Note. Refer to Sec. 3.1 for more information about wBase.**

Aux0=INT\_CHAN\_0, Aux1=INT\_CHAN\_1, Aux2=INT\_CHAN\_2,  
Aux3=INT\_CHAN\_3, Aux7~4=Aux-ID. The Aux 0~3 are used as interrupt sources.  
The interrupt service routine has to read this register for interrupt source  
identification. Refer to Sec. 2.7 for more information.

---

### 3.3.6 Interrupt Polarity Control Register

(Read/Write): wBase+0x2A

Bit 7	Bit 6	Bit 5	Bit 4	Bit 3	Bit 2	Bit 1	Bit 0
0	0	0	0	0	INV2	INV1	INV0

**Note. Refer to Sec. 3.1 for more information about wBase.**

INV0/1/2=0→ select the invert signal from INT\_CHAN\_0/1/2

INV0/1/2=1→ select the non-invert signal from INT\_CHAN\_0/1/2

```
outportb(wBase+0x2a,0); /* select the invert input from all 3 channels */
```

```
outportb(wBase+0x2a,0x0f); /* select the non-invert input from all 3 channels */
```

```
outportb(wBase+0x2a,0x0e); /* select the inverted input of INT_CHAN_0 */
```

```
/* select the non-inverted input from the others */
```

```
outportb(wBase+0x2a,0x0c); /* select the inverted input of INT_CHAN_0 & */
```

```
/* INT_CHAN_1 */
```

```
/* select the non-inverted input from the others */
```

**Refer to DEMO6.C of DOS for more information.**

---

### 3.3.7 Read/Write 8254

#### 8254 control word

SC1	SC0	RL1	RL0	M2	M1	M0	BCD
-----	-----	-----	-----	----	----	----	-----

**SC1,SC0:** 00: counter0  
01: counter1  
10: counter2  
11: read -back command

**RL1,RL0:** 00: counter latch instruction  
01: read/write low counter byte only  
10: read/write high counter byte only  
11: read/write low counter byte first, then high counter byte

**M2,M1,M0:** 000: mode0 interrupt on terminal count  
001: mode1 programmable one-shot  
010: mode2 rate generator  
011: mode3 square-wave generator  
100: mode4 software triggered pulse  
101: mode5 hardware triggered pulse

**BCD:** 0: binary count  
1: BCD count

---

### 3.3.8 Read Card ID

(Read): wBase+0xf4

Bit 7	Bit 6	Bit 5	Bit 4	Bit 3	Bit 2	Bit 1	Bit 0
0	0	0	0	ID3	ID2	ID1	ID0

```
wCardID = inportb(wBase+0xF4);          /* read Card ID
```

<p><b>Note: The Card ID function supports the model: PIO-D64U (Ver1.0 or above)</b></p>
---

---

## 4. Software Installation

The PIO-D64 / PIO-D64U can be used in DOS and Windows 98/Me/NT/2K and 32-bit Windows XP/2003/Vista/7. For Windows operating system, the recommended installation steps are given in Sec 4.1 ~ 4.2

---

### 4.1 Software Installing Procedure

- Step 1: Insert the companion CD into the CD-ROM driver and wait a few seconds until the installation program starts automatically. If it cannot be started automatically for some reasons, please double-click the file \NAPDOS\AUTO32.EXE in this CD.
- Step 2: Click the item: Install Toolkits (Software) / Manuals.
- Step 3: Click the item: PCI Bus DAQ Card.
- Step 4: Click PIO-DIO.
- Step 5: Click "install Toolkit for Windows 98 (Or Me/NT/2K/XP/2003/Vista/7)".

Then, the InstallShield will start the driver installation process to copy the related material to the indicated directory and register the driver on your computer. The driver target directory is as below for different system.

#### **Windows NT/2K and 32-bit Windows XP/2003/Vista/7 :**

The PIODIO.DLL will be copied into C:\WINNT\SYSTEM32

The NAPWNT.SYS and PIO.SYS will be copied into

C:\WINNT\SYSTEM32\DRIVERS

#### **Windows 98/Me :**

The PIODIO.DLL, and PIODIO.Vxd will be copied into C:\Windows\SYSTEM

---

## 4.2 PnP Driver Installation

After installing the hardware (PIO-D64/PIO-D64U) and power on your PC, Windows 98/Me/2K and 32-bit Windows XP/2003/Vista/7 can find a PCI card device and ask user to provide a PIODIO.inf to install hardware driver on the computer. If user has trouble in the process, please refer to PnPinstall.pdf for more information.

---

## 5. DLL Function Description

The DLL driver is the collection of function calls of the PIO-DIO cards for Windows 98/Me/NT/2K and 32-bit Windows XP/2003/Vista/7 system. The application structure is presented as following figure. The user application program developed by designate tools like VB, Delphi and Borland C++ Builder can call PIODIO.DLL driver in user mode. And then DLL driver will call the PIO.sys to access the hardware system.

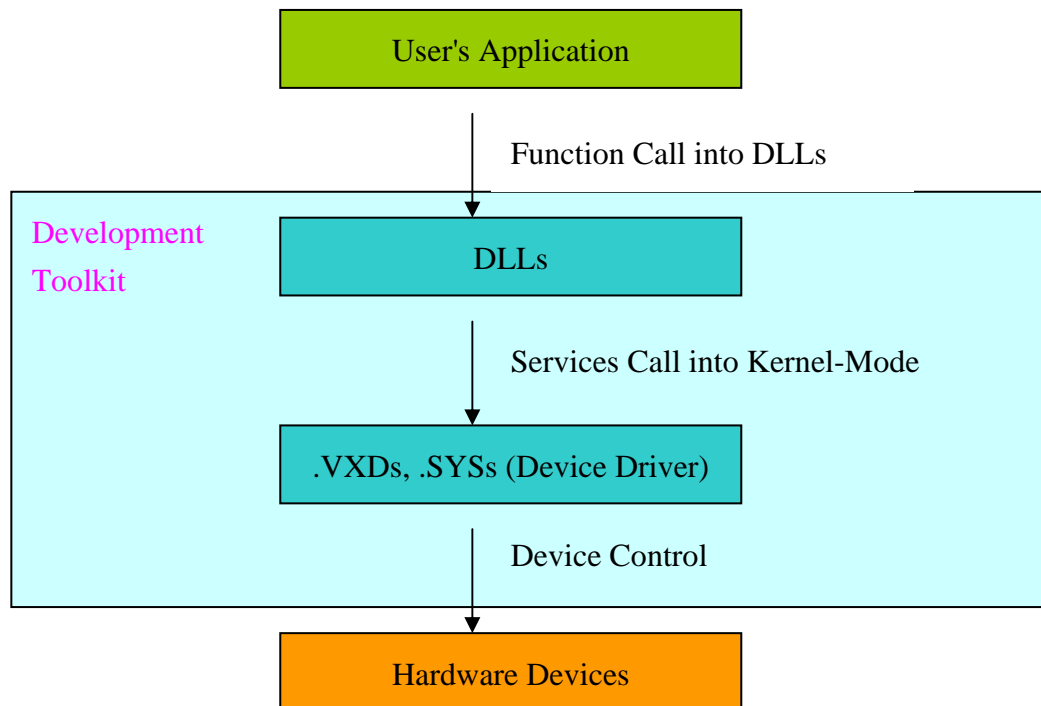


Figure 5.1

## 5.1 Table of ErrorCode and ErrorString

Table 5.1

Error Code	Error ID	Error String
0	PIODIO_NoError	OK ( No error !)
1	PIODIO_DriverOpenError	Device driver can't be opened
2	PIODIO_DriverNoOpen	Users have to call the DriverInit function firstly
3	PIODIO_GetDriverVersionError	Get driver version error
4	PIODIO_InstallIrqError	Install IRQ Error
5	PIODIO_ClearIntCountError	Clear counter value Error
6	PIODIO_GetIntCountError	Get counter of interrupt error
7	PIODIO_RemoveIrqError	Remove IRQ Error
8	PIODIO_FindBoardError	Can not find board
9	PIODIO_ExceedBoardNumber	The Max. boards is: 8
10	PIODIO_ResetError	Can't reset interrupt count
11	PIODIO_IrqMaskError	Irq-Mask is 1,2,4,8 or 1 to 0xF
12	PIODIO_ActiveModeError	Active-Mode is 1,2 or 1 to 3
13	PIODIO_GetActiveFlagError	Can't get interrupt active flag
14	PIODIO_ActiveFlagEndOfQueue	The flag queue is empty

## 5.2 Function Descriptions

All of the functions provided for PIO-D64/PIO-D64U are listed as below and the detail information for every function will be presented in the following section. However, in order to make the description simplify and clearly, the attribute of the input and output parameter of the function are indicated as [input] and [output] respectively, as shown in following table.

Table 5.2

Keyword	Setting parameter by user before calling this function ?	Get the data/value from this parameter after calling this function ?
[Input]	Yes	No
[Output]	No	Yes
[Input, Output]	Yes	Yes

---

## 5.3 FUNCTIONS OF TEST

---

### 5.3.1 *PIODIO\_GetDIIVersion*

- **Description:**  
To get the version number of PIODIO.DLL driver
- **Syntax:**  
WORD PIODIO\_GetDIIVersion(Void)
- **Parameter:**  
None
- **Return:**  
200(hex) for version 2.00

---

### 5.3.2 *PIODIO\_ShortSub*

- **Description:**  
To perform the subtraction as  $nA - nB$  in short data type. This function is provided for testing DLL linkage purpose.
- **Syntax:**  
short PIODIO\_ShortSub(short nA, short nB)
- **Parameter:**  
nA : [Input] 2 bytes short data type value  
nB : [Input] 2 bytes short data type value
- **Return:**  
The value of  $nA - nB$

---

### 5.3.3 *PIODIO\_FloatSub*

- **Description:**  
To perform the subtraction as  $fA - fB$  in float data type. This function is provided for testing DLL linkage purpose.
- **Syntax:**  
float PIODIO\_FloatSub(float fA, float fB)
- **Parameter:**  
fA : [Input] 4 bytes floating point value  
fB : [Input] 4 bytes floating point value
- **Return:** The value of  $fA - fB$

---

## 5.4 Digital I/O FUNCTIONS

---

### 5.4.1 PIODIO\_OutputByte

- **Description :**  
Send the 8 bits data to the specified I/O port.
- **Syntax :**  
void PIODIO\_OutputByte(DWORD wPortAddr, WORD bOutputVal);
- **Parameter :**  
wPortAddr : [Input] I/O port addresses, please refer to function PIODIO\_GetConfigAddressSpace. Only the low WORD is valid.  
bOutputVal: [Input] 8 bit data send to I/O port.  
Only the low BYTE is valid.
- **Return:**  
None

---

### 5.4.2 PIODIO\_InputByte

- **Description :**  
Read the 8 bits data from the specified I/O port.
- **Syntax :**  
WORD PIODIO\_InputByte(DWORD wPortAddr);
- **Parameter :**  
wPortAddr: [Input] I/O port addresses, please refer to function PIODIO\_GetConfigAddressSpace().  
Only the low WORD is valid.
- **Return:**  
16 bits data with the leading 8 bits are all 0.  
(Only the low BYTE is valid.)



---

### 5.4.3 *PIODIO\_OutputWord*

- **Description :**  
Send the 16 bits data to the specified I/O port.
- **Syntax :**  

```
void PIODIO_OutputWord(DWORD wPortAddr, DWORD  
wOutputVal);
```
- **Parameter :**  
WPortAddr : [Input] I/O port addresses, please refer to function  
PIODIO\_GetConfigAddressSpace().  
Only the low WORD is valid.  
WOutputVal : [Input] 16-bit data send to I/O port.  
Only the low WORD is valid.
- **Return:**  
None

---

### 5.4.4 *PIODIO\_InputWord*

- **Description :**  
Obtain the 16 bits data from the specified I/O port.
- **Syntax :**  

```
DWORD PIODIO_InputWord(DWORD wPortAddr);
```
- **Parameter :**  
wPortAddr : [Input] I/O port addresses, please refer to function  
PIODIO\_GetConfigAddressSpace().  
Only the low WORD is valid.
- **Return:**  
16-bit data. Only the low WORD is valid.

---

## 5.5 Driver Relative Functions

---

### 5.5.1 *PIODIO\_GetDriverVersion*

- **Description :**  
Obtain the version number information from PIODIO driver.
- **Syntax :**  
WORD PIODIO\_GetDriverVersion(WORD \*wDriverVersion);
- **Parameter :**  
wDriverVersion : [Output] address of wDriverVersion
- **Return:**  
Please refer to "Section 5.1 Error Code".

---

### 5.5.2 *PIODIO\_DriverInit*

- **Description :**  
This subroutine opens the PIODIO driver and allocates the computer resource for the device. This function must be called once before applying other PIODIO functions.
- **Syntax :**  
WORD PIODIO\_DriverInit();
- **Parameter :**  
None
- **Return:**  
Please refer to "Section 5.1 Error Code".

---

### 5.5.3 PIODIO\_SearchCard

- **Description :**

This subroutine will search the card and get total boards. This function must be called once before applying other PIODIO functions.

- **Syntax :**

```
WORD PIODIO_SearchCard(WORD *wBoards, DWORD  
dwPIOCardID);
```

- **Parameter :**

wBoards :[Output] Number of boards found in this PC  
DwPIOCardID :[Input] Sub vendor, sub device and sub aux id of  
the board to find. Please refer to chapter 3.1.

**NOTE :**

Different version PIO-D64/PIO-D64U boards may have different Sub IDs. This function will find the total board of PIO-D64/PIO-D64U including all versions, no matter what version Sub ID you input. Following is the example demonstration:

```
wRtn=PIODIO_SearchCard(&wBoards, 0x800120);
```

you will get the total numbers of PIO-D64/PIO-D64U boards including REV 1.0 and REV 2.0 in PC.

- **Return:**

Please refer to "Section 5.1 Error Code"

---

### 5.5.4 PIODIO\_DriverClose

- **Description :**

This subroutine closes the PIODIO Driver and releases the resource from computer device resource. This function must be called once before exiting the user's application.

- **Syntax :**

```
void PIODIO_DriverClose();
```

- **Parameter :**

None

- **Return:**

None

---

### 5.5.5 *PIODIO\_GetConfigAddressSpace*

- **Description :**

Obtain the I/O address and other information of PIODIO board.

- **Syntax :**

```
WORD PIODIO_GetConfigAddressSpace( WORD wBoardNo,  
    DWORD *wAddrBase, WORD *wIrqNo,  WORD *wSubVendor,  
    WORD *wSubDevice, WORD *wSubAux, WORD *wSlotBus,  
    WORD *wSlotDevice);
```

- **Parameter :**

wBoardNo : [Input] PIODIO board number

wAddrBase : [Output] The base address of PIODIO board.  
Only the low WORD is valid.

wIrqNo : [Output] The IRQ number that the board using.

wSubVendor : [Output] Sub Vendor ID.

wSubDevice : [Output] Sub Device ID.

wSubAux : [Output] Sub Aux ID.

wSlotBus : [Output] Slot Bus number.

wSlotDevice : [Output] Slot Device ID.

- **Return:**

Please refer to "Section 5.1 Error Code".

---

## 5.6 INTERRUPT FUNCTION

---

### 5.6.1 *PIODIO\_IntResetCount*

- **Description:**

This function will clear the counter value on the device driver for the interrupt.
- **Syntax:**

```
WORD PIODIO_IntResetCount(void);
```
- **Parameter:**

None
- **Return:**

Please refer to "Section 5.1 Error Code".

---

### 5.6.2 *PIODIO\_IntGetCount*

- **Description:**

This subroutine will read the counter value of the interrupt defined in device driver.
- **Syntax :**

```
WORD PIODIO_IntGetCount(DWORD *dwIntCount);
```
- **Parameter:**

dwIntCount : [Output] Address of dwIntCount, which will stores the counter value of interrupt.
- **Return:**

Please refer to "Section 5.1 Error Code".

---

### 5.6.3 PIODIO\_IntInstall

- **Description:**

This subroutine installs the IRQ service routine.

- **Syntax:**

WORD PIODIO\_IntInstall(WORD wBoardNo, HANDLE \*hEvent,  
WORD wInterruptSource, WORD wActiveMode);

- **Parameter:**

wBoardNo : [Input] Which board to be used.  
hEvent : [Input] Address of a Event handle. The user's  
program must call the Windows API function  
"CreateEvent()" to create the event-object.  
wInterruptSource : [Input] What the Interrupt-Source to be used ?  
Please refer to the following table.

Table 5.3

wInterruptSource	Description
0	EXTIRQ
1	EVTIRQ
2	TMRIRQ

wActiveMode : [Input] When to trigger the interrupt ?  
0 → PIODIO\_ActiveLow  
1 → PIODIO\_ActiveHigh

- **Return:**

Please refer to "Section 5.1 Error Code".

---

### 5.6.4 PIODIO\_IntRemove

- **Description:**

This subroutine removes the IRQ service routine.

- **Syntax:**

WORD PIODIO\_IntRemove( void );

- **Parameter:**

None

- **Return:**

Please refer to "Section 5.1 Error Code".

---

### 5.6.5 Architecture of Interrupt mode

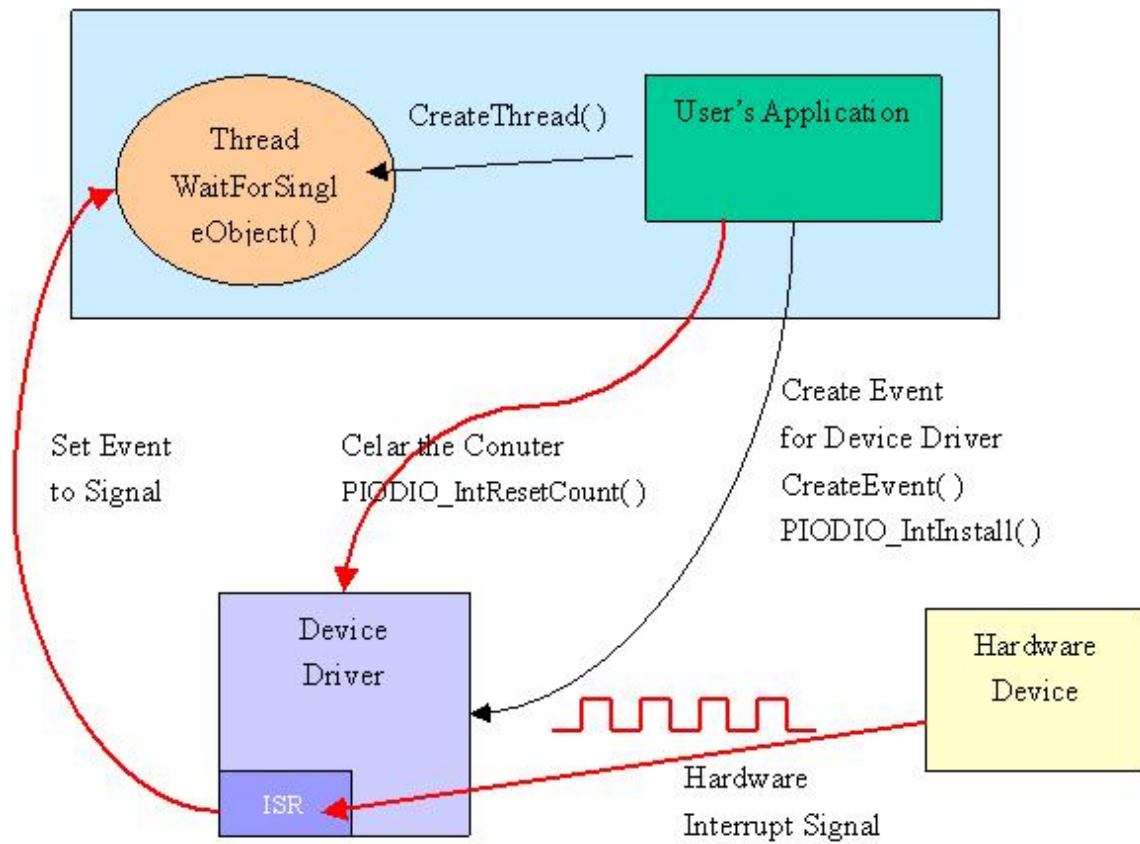


Figure 5.2

---

## 5.7 COUNTER FUNCTION

---

### 5.7.1 *PIOD64\_SetCounter*

- **Description :**  
This subroutine is used to set the 8254 counter's mode and value.
- **Syntax :**  
void PIOD64\_SetCounter(DWORD dwBase, WORD wCounterNo,  
WORD bCounterMode, DWORD wCounterValue);
- **Parameter :**  
dwBase : [Input] I/O port addresses, please refer to  
function PIODIO\_GetConfigAddressSpace.  
Only the low WORD is valid.  
wCounterNo : [Input] The 8254 Counter-Number: 0 to 5.  
(0 to 2: Chip-0, 3 to 5: Chip-1)  
wCounterMode : [Input] The 8254 Counter-Mode: 0 to 5.  
wCounterValue : [Input] The 16 bits value for the counter to  
count. Only the lower WORD is valid.
- **Return:** None

---

### 5.7.2 *PIOD64\_ReadCounter*

- **Description :**  
This subroutine is used to obtain the 8254 counter's value.
- **Syntax :**  
DWORD PIOD64\_ReadCounter (DWORD dwBase, WORD  
wCounterNo, WORD bCounterMode);
- **Parameter :**  
dwBase : [Input] I/O port addresses, please refer to function  
PIODIO\_GetConfigAddressSpace.  
Only the low WORD is valid.  
wCounterNo : [Input] The 8254 Counter-Number: 0 to 5.  
(0 to 2: Chip-0, 3 to 5: Chip-1)  
wCounterMode: [Input]The 8254 Counter-Mode: 0 to 5.
- **Return:**  
16 bits counter's value. (Only the lower WORD is valid.)



---

### 5.7.3 *PIOD64\_SetCounterA*

- **Description :**

This subroutine is used to set the 8254 counter's mode and value. Users have to call the `PIODIO_ActiveBoard()` function before calling this function.

- **Syntax :**

```
void PIOD64_SetCounterA(WORD wCounterNo, WORD  
                        bCounterMode, DWORD wCounterValue);
```

- **Parameter :**

wCounterNo : [Input] The 8254 Counter-Number: 0 to 5.  
(0 to 2: Chip-0, 3 to 5: Chip-1)

wCounterMode : [Input] The 8254 Counter-Mode: 0 to 5.

wCounterValue : [Input] The 16 bits value for the counter to count. Only the lower WORD is valid.

- **Return:**

None

---

### 5.7.4 *PIOD64\_ReadCounterA*

- **Description :**

This subroutine is used to obtain the 8254 counter's value. Users have to call the `PIODIO_ActiveBoard()` function before calling this function.

- **Syntax :**

```
DWORD PIOD64_ReadCounterA(WORD wCounterNo,  
                           WORD bCounterMode);
```

- **Parameter :**

wCounterNo : [Input] The 8254 Counter-Number: 0 to 5.  
(0 to 2: Chip-0, 3 to 5: Chip-1)

wCounterMode : [Input] The 8254 Counter-Mode: 0 to 5.

- **Return:**

Returns the 16 bits counter's value. (Only the lower WORD is valid.)

---

## 5.7.5 Program Architecture

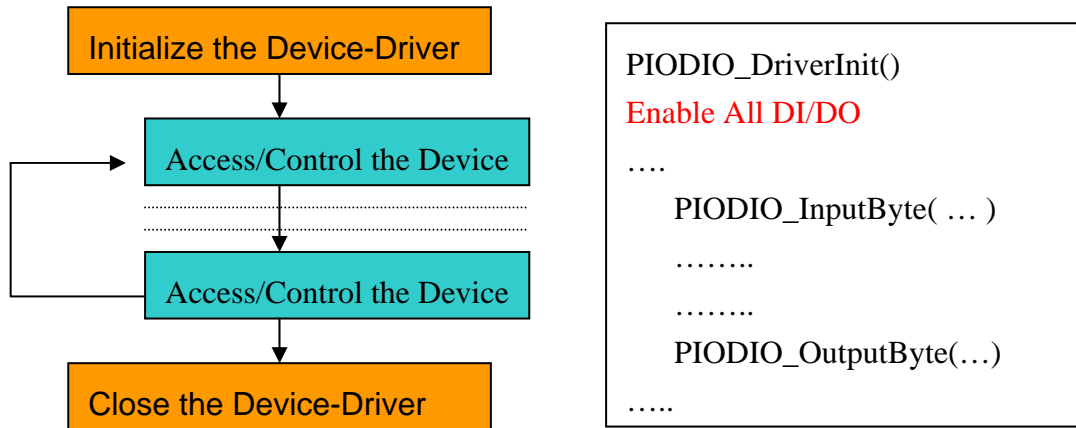


Figure 5.3

---

## 6 Demo Programs for Windows

All of demo programs will not work normally if DLL driver would not be installed correctly. During the installation process of DLL driver, the install-shields will register the correct kernel driver to the operation system and copy the DLL driver and demo programs to the correct position based on the driver software package you have selected (Win98/Me/NT/2K and 32-bit Win XP/2003/Vista/7). After driver installation, the related demo programs and development library and declaration header files for different development environments are presented as follows.

--\Demo	→ demo program
--\BCB3	→ for Borland C++ Builder 3
--\PIODIO.H	→ Header file
\PIODIO.LIB	→ Linkage library for BCB only
--\Delphi3	→ for Delphi3
--\PIODIO.PAS	→ Declaration file
--\VB5	→ for Visual Basic 6
--\PIODIO.BAS	→ Declaration file
--\VC6	→ for Visual C++ 6
--\PIODIO.H	→ Header file
\PIODIO.LIB	→ Linkage library for VC

### The list of demo programs :

Dio : Digital Input / Output.  
INT : Interrupt of EXTIRQ.  
Counter : Counter0.

---

## 6.1 Digital Input/Output

This demo program is used to check the digital input and output status of CN2/CN4 and CN1/CN3.

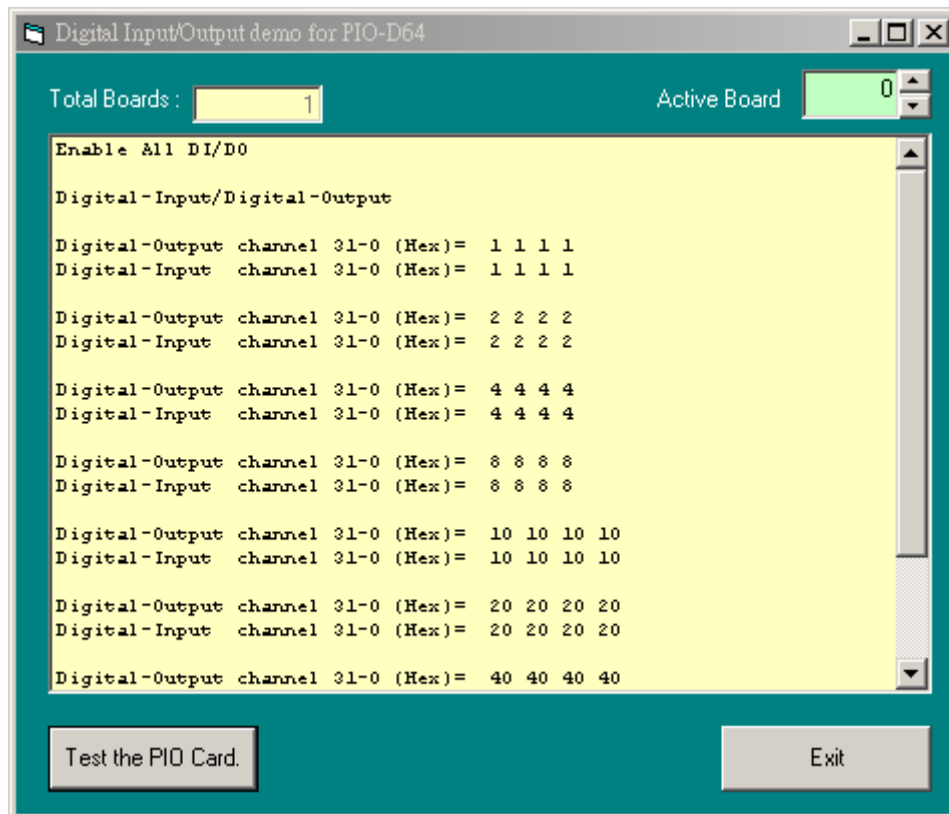


Figure 6.1

---

## 6.2 Interrupt of EXTIRQ

This demo program uses EXTIRQ as interrupt source. Then DO0 output a high and low signal repeatedly to trigger the interrupt source.

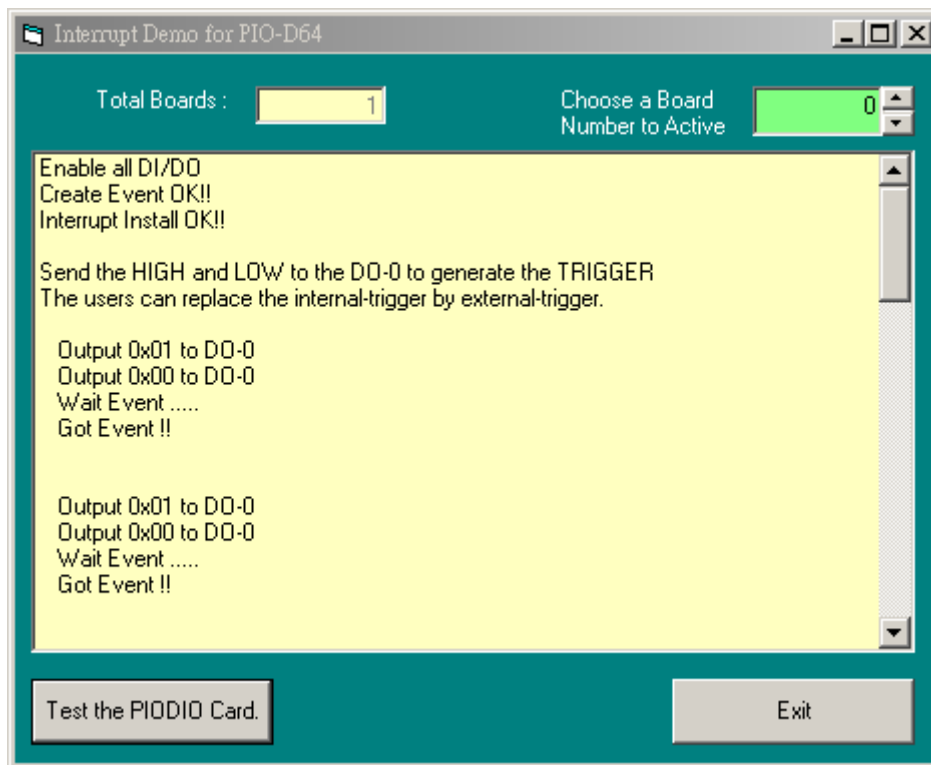


Figure 6.2

### 6.3 Counter Function of counter0

This demo program uses internal clock to test counter0 function. User can select clock suitable clock output from the corresponding P4 soldering pad.

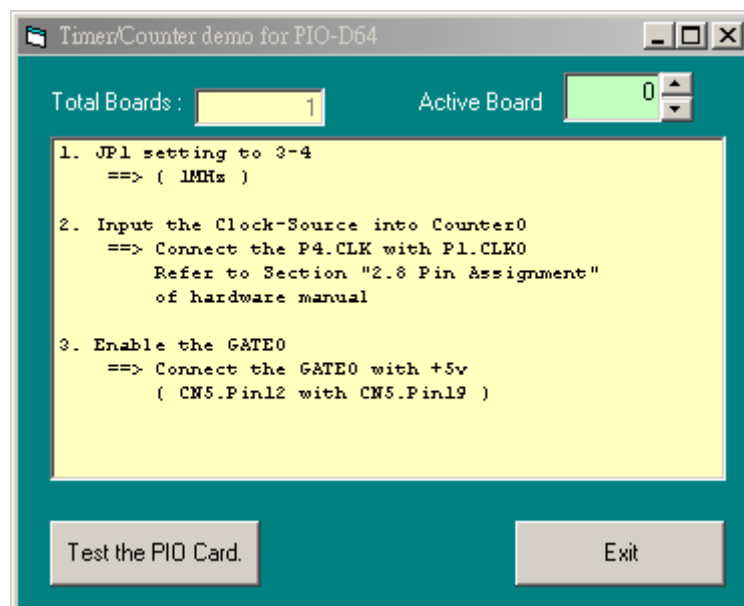


Figure 6.3

---

# Appendix

## **Appendix A. Related DOS Software**

### **A-1 Where is the related software**

The related DOS software and demos in the CD is given as following:

- \TC\\*. \* → for Turbo C 2.xx or above
- \MSC\\*. \* → for MSC 5.xx or above
- \BC\\*. \* → for BC 3.xx or above
  
- \TC\LIB\\*. \* → for TC library
- \TC\DEMO\\*. \* → for TC demo program
- \TC\DIAG\\*. \* → for TC diagnostic program
  
- \TC\LIB\PIO.H → TC declaration file
- \TC\LIB\TCPIO\_L.LIB → TC large model library file
- \TC\LIB\TCPIO\_H.LIB → TC huge model library file
  
- \MSC\LIB\PIO.H → MSC declaration file
- \MSC\LIB\MSCPIO\_L.LIB → MSC large model library file
- \MSC\LIB\MSCPIO\_H.LIB → MSC huge model library file
  
- \BC\LIB\PIO.H → BC declaration file
- \BC\LIB\BCPIO\_L.LIB → BC large model library file
- \BC\LIB\BCPIO\_H.LIB → BC huge model library file

#### **The list of demo programs :**

DEMO1.C : D/O demo

DEMO2.C : D/I/O demo

DEMO3.C : Use external int. to measure pulse width(high level)

DEMO4.C : Use EVTIRQ to count event

DEMO5.C : Use TMRIRQ to generate 0.5 Hz squa.

DEMO6.C : Use TMRIRQ to generate 0.5 Hz squa. EVTIRQ to count

---

## A-2 DOS LIB Function

---

### A-2-1 Table of ErrorCode and ErrorString

Table A.1 ErrorCode and ErrorString

Error Code	Error ID	Error String
0	NoError	OK ! No Error!
1	DriverHandleError	Device driver opened error
2	DriverCallError	Got the error while calling the driver functions
3	FindBoardError	Can't find the board on the system
4	TimeOut	Timeout
5	ExceedBoardNumber	Invalidate board number (Valid range: 0 to TotalBoards -1)
6	NotFoundBoard	Can't detect the board on the system

---

### A-2-2 PIO\_DriverInit

- **Description :**

This function can detect all PIO/PISO series card in the system. It is implemented based on the PCI Plug & Play mechanism-1. It will find all PIO/PISO series cards installed in this system and save all their resource in the library.

- **Syntax :**

WORD PIO\_DriverInit(WORD \*wBoards, WORD wSubVendorID,  
WORD wSubDeviceID,WORD wSubAuxID)

- **Parameter :**

WBoards : [Output] Number of boards found in this PC  
wSubVendor : [Input] SubVendor ID of the board  
wSubDevice : [Input] SubDevice ID of the board  
wSubAux : [Input] SubAux ID of the board

- **Return:**

Please refer to " Table A.1".

---

### A-2-3 *PIO\_DriverClose*

- **Description :**

This subroutine closes the PIODIO Driver and releases the resource from computer device resource. This function must be called once before exiting the user's application.
- **Syntax :**

WORD PIO\_DriverClose ()
- **Parameter :**

None
- **Return:**

Please refer to " Table A.1".

---

### A-2-4 *PIO\_GetConfigAddressSpace*

- **Description :**

The user can use this function to save resource of all PIO/PISO cards installed in this system. Then the application program can control all functions of PIO/PISO series card directly.
- **Syntax :**

WORD PIO\_GetConfigAddressSpace(wBoardNo,\*wBase,\*wIrq,  
wSubVendor, \*wSubDevice,\*wSubAux,\*wSlotBus,\*wSlotDevice)
- **Parameter :**

wBoardNo : [Input] Board number  
wBase : [Output] The base address of the board  
wIrq : [Output] The IRQ number that the board using.  
wSubVendor : [Output] Sub Vendor ID.  
wSubDevice : [Output] Sub Device ID.  
wSubAux : [Output] Sub Aux ID.  
wSlotBus : [Output] Slot Bus number.  
wSlotDevice : [Output] Slot Device ID.
- **Return:**

Please refer to " Table A.1".



---

### A-2-5 *PIO\_GetDriverVersion*

- **Description :**  
This subroutine obtains the version number of PIODIO driver.
- **Syntax :**  
WORD PIO\_GetDriverVersion(WORD \*wDriverVersion)
- **Parameter :**  
wDriverVersion : [Output] Address of wDriverVersion
- **Return:**  
Please refer to " Table A.1".

---

### A-2-6 *ShowPIOPISO*

- **Description :**  
This function will show a text string for this special Sub\_ID. This text string is the same as that defined in PIO.H.
- **Syntax :**  
WORD ShowPIOPISO(wSubVendor, wSubDevice, wSubAux)
- **Parameter :**  
wSubVendor : [Input] SubVendor ID of the board  
wSubDevice : [Input] SubDevice ID of the board  
wSubAux : [Input] SubAux ID of the board.
- **Return:**  
Please refer to " Table A.1".