

# PM-150N / KM-170N / KM-190N

## Open Frame Touch LCD Panel



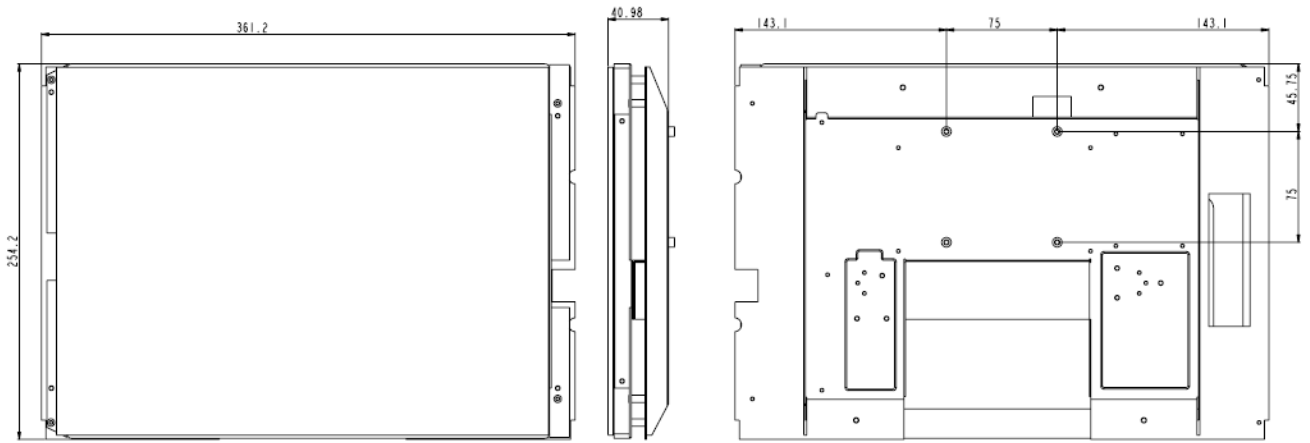
### Display

	PM-15N	KM-17N	KM-19N
Display Type	Active Matrix TFT LCD		
LCD Size	15"	17"	19"
Dimension	361.2 x 40.98 x 254.2 ( W x D x H ) mm	388.6 x 49.48 x 333.6 ( W x D x H ) mm	429.6 x 48.02 x 348.3 ( W x D x H ) mm
Resolution	1024 x 768	1280 x 1024	1280 x 1024
Color	16.7 million		
Brightness	250cd/m <sup>2</sup>	300cd/m <sup>2</sup>	300cd/m <sup>2</sup>
Contrast Ratio	550 : 1	800 : 1	800 : 1
Input Signal	RGB Analog		
Input Connector	D-Sub 15 Pin		

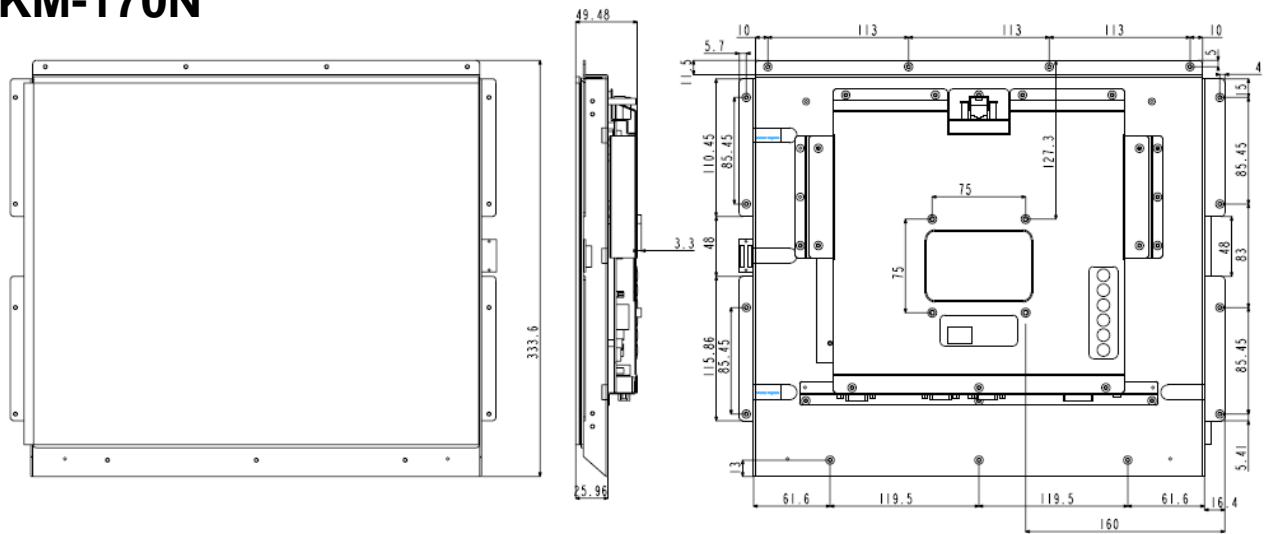
### Mechanical

Touch	Default Taiwan 5wire resistive touch		
Bezel	Stainless		
Power Supply	24W	36W	48W
	ADAPTER 12V (S-JACK-4) (RoHS)		
Operating Temperature	0°~40 ° C		
Relative Humidity	10%~90%@50 C , non-condensing		
Optional Ordering	1.USB or RS232Interface 2. MSR		
Humidity	10%~90%@50 C , non-condensing		
Vibration	5~17,0.1"double amplitude displacement 17~640Hz,1.5G acceleration perk to perk		
Shock	10-25Hz(X,Y,Z direction 2G,30 minutes)		

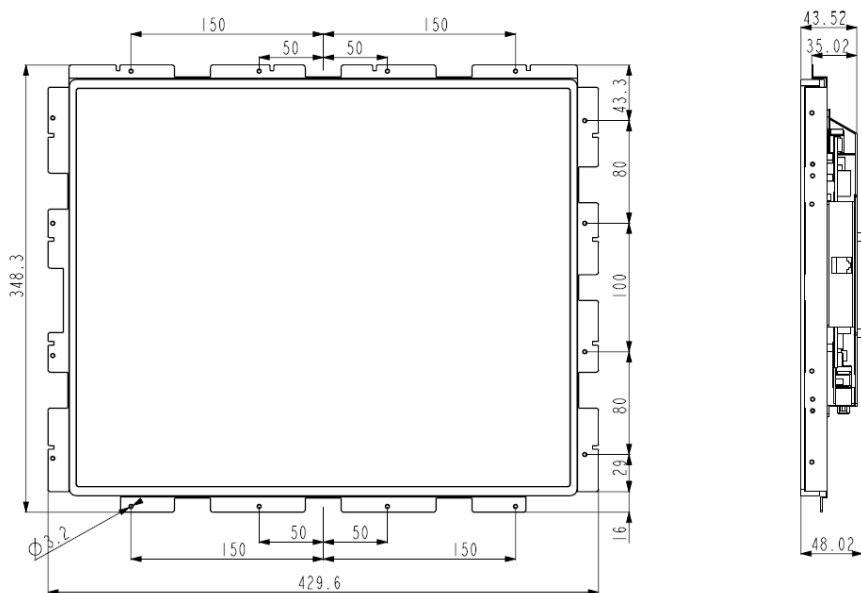
# PM-150N



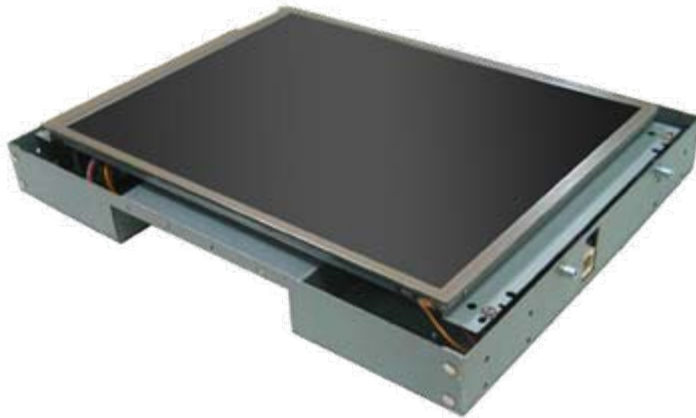
# KM-170N



# KM-190N



# PM-120N / 100N Open Frame Touch LCD Panel



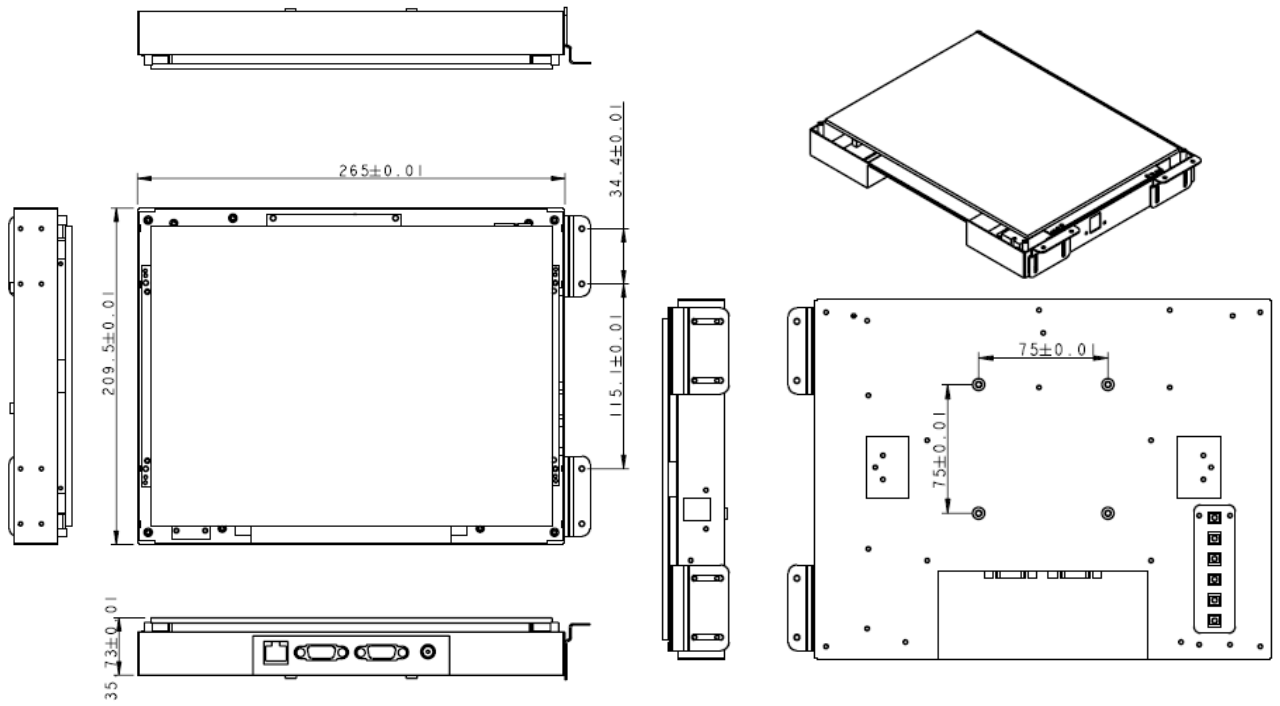
## Display

	PM-120N	PM-100N
Display T ype	Active Matrix TFT LCD	
LCD Size	12"	10.4"
Dimension	303 x 41.16 x 234 ( W x D x H ) mm	265 x 35.73 x 209 ( W x D x H ) mm
Resolution	1024 x 768	800 x 600
Color	6-bit, 262,144 colors	
Brightness	195 cd/m <sup>2</sup>	250 cd/m <sup>2</sup>
Contrast Ratio	500 : 1	400 : 1
Input Signal	RGB Analog	
Input Connector	D-Sub 15 Pin	

## Mechanical

Touch	Default Taiwan 5wire resistive touch	
Bezel	Stainless	
Power Supply	18 W	18 W
	ADAPTER 12V (S-JACK-4) (RoHS)	
Operating Temperature	0°~40 ° C	
Relative Humidity	10%~90%@50 C , non-condensing	
Optional Ordering	1.USB or RS232Interface 2. MSR	
Humidity	10%~90%@50 C , non-condensing	
Vibration	5~17,0.1"double amplitude displacement 17~640Hz,1.5G acceleration perk to perk	
Shock	10-25Hz(X,Y,Z direction 2G,30 minutes)	

# PM-100N



# PM-120N

