



Industrial Ethernet Media Converters

Quick Installation Guide

Version 1.0

Introduction

The media converters have incorporated SUNIX advanced technologies such as the RS-422/485 auto identify & switch, AHDC/CS (Auto Hardware Direction Control / Carrier Sense) technology, and auto baud rate detection feature. SUNIX MedIO media converter, a specialized equipment for industrial application which can effectively protect your equipment from lightning, electrostatic discharges, high voltage, and ground voltage damage, with features like Surge Protection, Optical Isolation Protection, and Reverse Power Protection. Fiber Ethernet media converters not only extends the distances but also provide features like Link Fault Signaling, which allows application to react to the situation.

Features

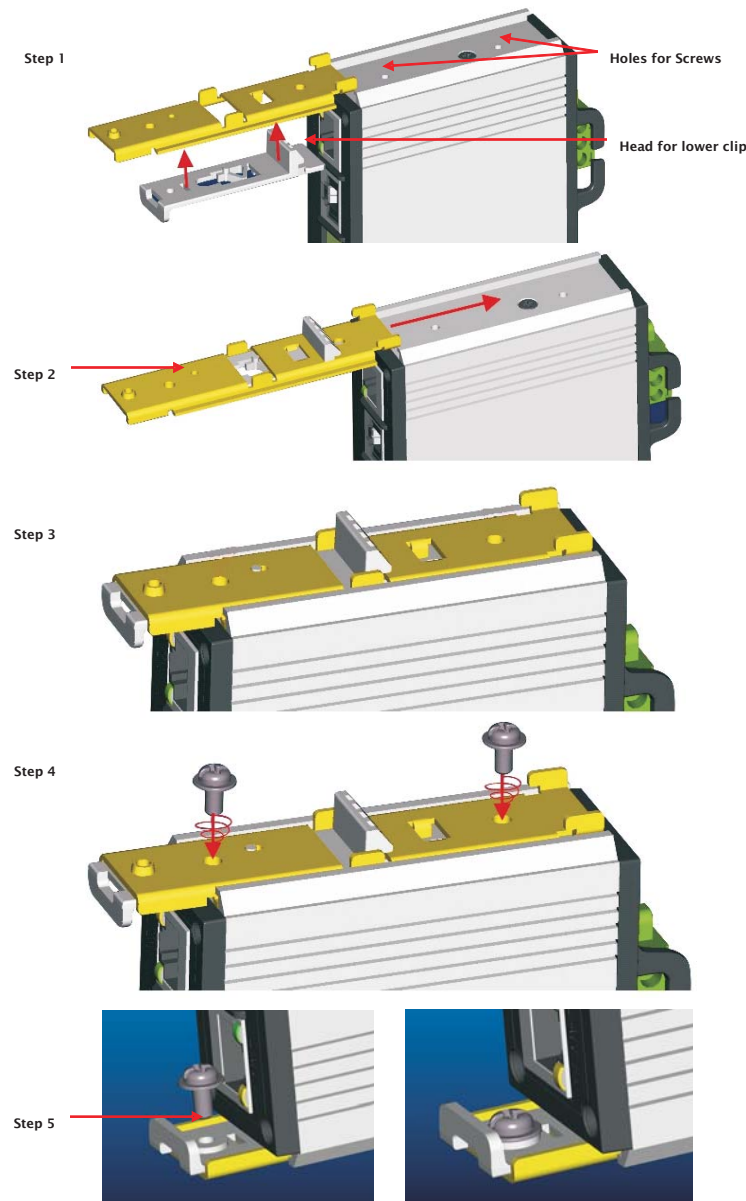
- Industrial grade design for stability and reliability
- Extends 10/100/1000 LAN transmission distance up to 100KM with Single Mode SC Fiber
- Supports Link Fault Pass-through and far-end fault function
- Supports 10/100/1000Base-T(X) auto negotiation and auto MDI/MDI-X
- Built in a watchdog timer to monitor internal switching error
- Relay output for power failure or port break alarm
- Protect against electronic degradation and chemical corrosion
- 12V DC Jack & External power 12~48V DC terminal block with reverse polarity protection
- Detachable wall and DIN-rail mounting kit design
- Plug-n-play & compact size design
- Extended operating temperature from -20~85 C

Package List

Please check if the following items are present and in good condition upon opening your package. Contact your vendor if any item is damaged or missing.

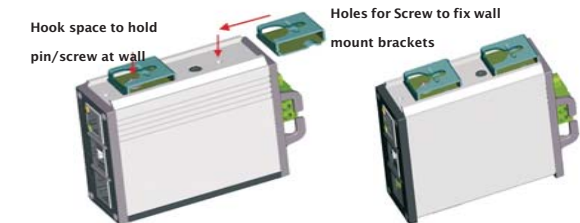
- Industrial Ethernet Media Converter
- Accessories
 - Din Rail Accessory Package 1
 - Wall Mountable Accessory Package 1
 - Fiber Lid 2
- SUNIX CD
- Quick Installation Guide (This Document)
- User Manual (In CD)

DIN-Rail Install Step



Note: This is optional and if you tight this screw, DIN Rail mounting will be locked and device can't be remove from DIN Rail without losing this screw. You must tight this screw after hanging the product at DIN Rail.

Wall-Mounting Install Step



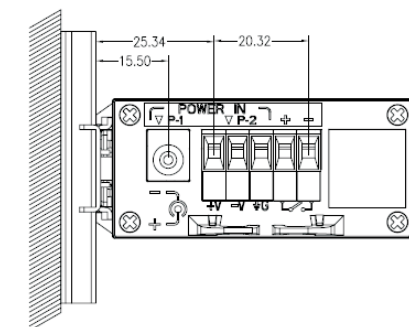
Model Specification

FTL-1218H-Gx	10/100/1000 Base-TX to 1000Base-FX Media Converter
FTL-1218Hx	10/100 Base-TX to 100Base-FX Media Converter

Power inputs & grounding



DC Powered Switch: Power is supplied through an external DC power source. Check the technical specification section for information about the DC power input voltage. Since the switch does not include a power switch, plugging its power adapter into a power outlet will immediately power it on.



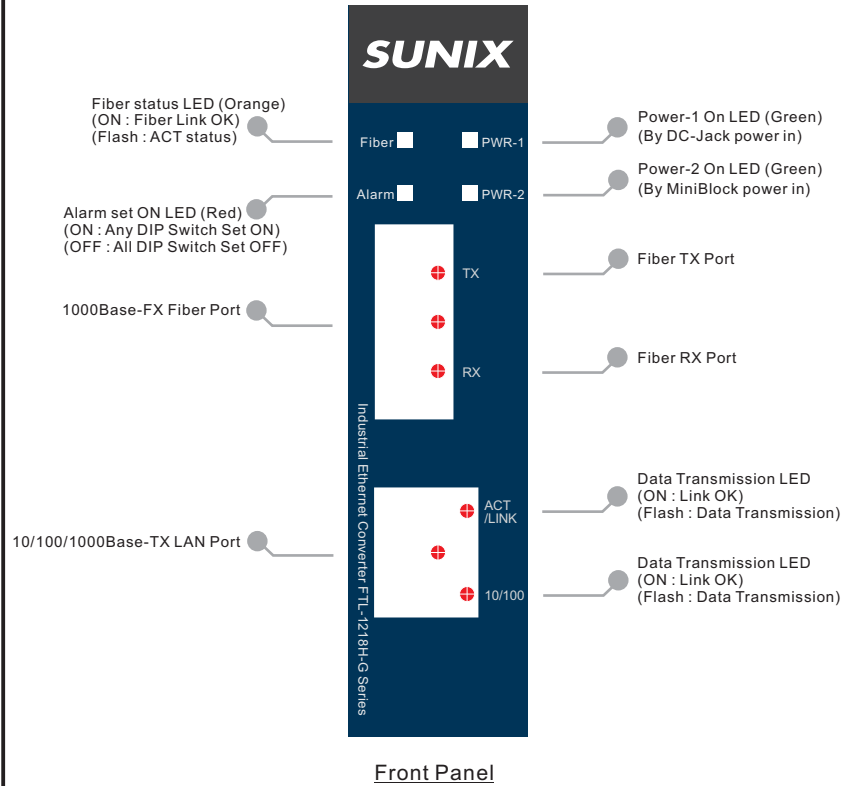


Industrial Ethernet Media Converters

Quick Installation Guide

Version 1.0

FTL-1218H-Gx Series



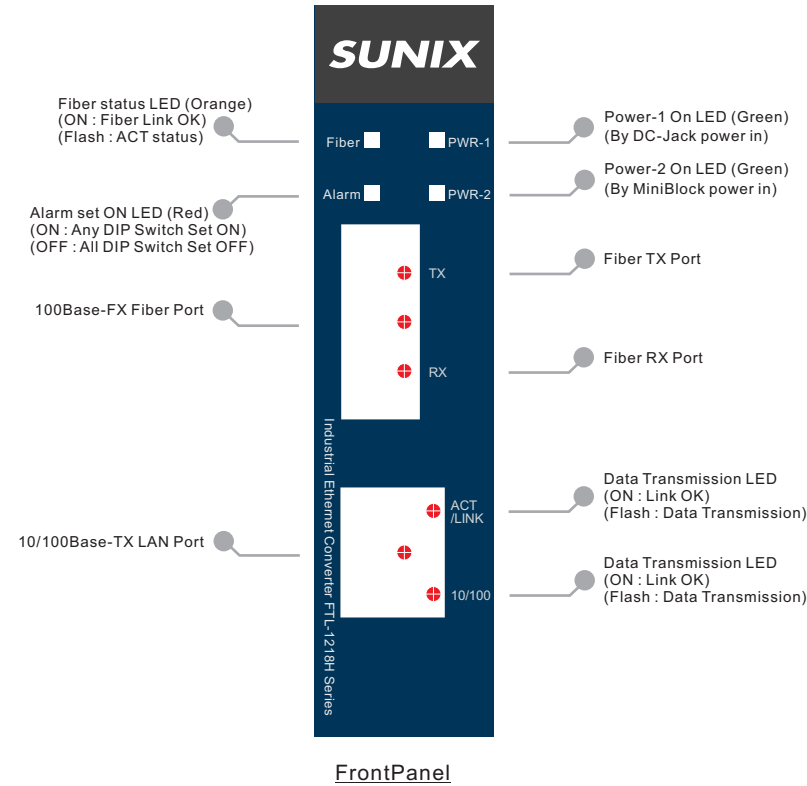
4-Pin DIP Switch :

- No. 1 : power-1, enable alarm
- No. 2 : power-2, enable alarm
- No. 3 : RJ-45, enable alarm
- No. 4 : Fiber, enable alarm



ON : Alarm relay enable
OFF : Alarm relay disable

FTL-1218Hx Series



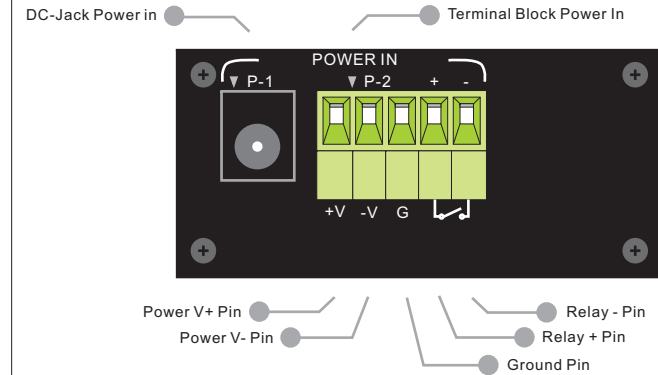
4-Pin DIP Switch :

- No. 1 : power-1, enable alarm
- No. 2 : power-2, enable alarm
- No. 3 : RJ-45, enable alarm
- No. 4 : Fiber, enable alarm

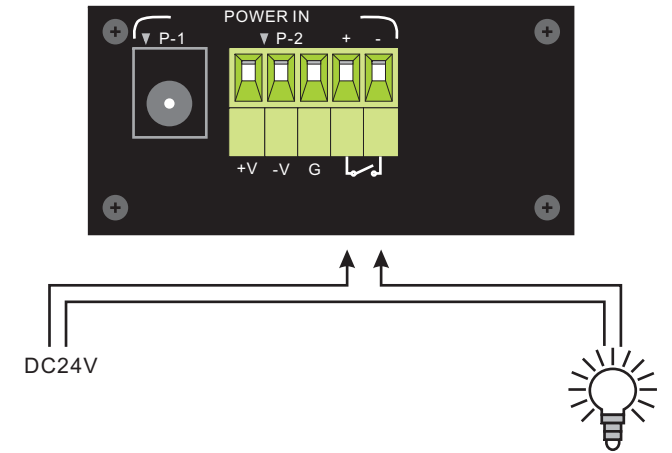


ON : Alarm relay enable
OFF : Alarm relay disable

Top View



Relay Hardware Installation Guide



Copyright© by SUNIX Co, LTD.
All rights reserved.



TEL: +886-2-8913-1987
FAX: +886-2-8913-1986

Website: www.sunix-ncci.com.tw
E-mail: info@sunix-ncci.com.tw