

SER5037HL

2-port RS-232 High Speed
Low Profile Universal PCI
Serial Board



Introduction

SUNIX SER5037HL, Universal PCI serial communication board, allows users to add or expand two RS-232 ports on PC-based system. The card is compatible with both 64 / 32-bit PCI architecture supporting 3.3 and 5V Bus, allowing it to be installed in any slim size PC-based system with low profile bracket structure. SUNIX SER5037HL card has 128-bytes onboard FIFO buffer and compatible with 16C950 UART specification. It is designed with SUNIX UART controller, SUN1989 and as well built with many of SUNIX advanced features and technologies, making it the best solution for commercial and industrial automation applications.

Features

- Expands 2 independent RS-232 serial ports with communication speeds up to 921.6Kbps.
- High speed SUN1989 16C950 compatible UART controller on-board.
- Compliance with PCI 33MHz Ver. 3.0/2.3/2.2./2.1 specification.
- Supports both 64-bit & 32-bit PCI bus slot and 3.3V & 5V power.
- On-chip hardware auto flow control to guarantee no data loss.
- Built-in ± 15 KV ESD protection for all serial signals meets IEC1000-4-2 standard.
- Plug-n-Play, I/O address and IRQ assigned by BIOS.
- Low profile bracket design idea for slim or portable PC.
- Certified by CE, FCC, RoHS, and Microsoft WHQL approval.
- Support Microsoft Windows, Linux, and DOS.



Specifications

Serial Communication

Interface	RS-232	Signal	TxD, RxD, RTS, CTS, DTR, DSR, DCD, GND, RI
Controller	SUNIX SUN1989 (16C950 UART Compatible)	Baud rate	50bps ~921.6Kbps
BUS	Universal PCI 64/32bit 3.3V/5V PCI Ver 3.0, 2.3, 2.2, 2.1	Stop bit	1, 1.5, 2
No. of Port	2-port	Parity	even, odd, none, mark, space
IRQ & IO	Assigned by System	Flow Control	None, Xon/Xoff, RTS/CTS
FIFO	128byte Hardware	PCB Connector	DB44 Female
Protection	±15KV ESD protection for each signal Human Body Model (HBM) ±15KV IEC1000-4-2 Air Gap Discharge ±8KV IEC1000-4-2 Contact Discharge		

Driver Support

Microsoft Client	Windows XP/Vista/7 (X86/X64)
Microsoft Server	Windows 2000/2003/2008 (X86/X64)
Microsoft Embedded	Windows CE5.0/6.0/XP Embedded/POS Ready 2009/Embedded System 2009
Linux	Linux 2.4.x/2.6.x
DOS	DOS
FreeBSD	FreeBSD 5.3~5.5 / 6.0~6.4
QNX	QNX 6.3.2/6.4.0
* IBM OS/2	WARP 3/WARP 4
* SCO UnixWare	UnixWare 7.1.3/7.1.4/ Open Server 5.0.7/6.0
* Sun Microsystems	Solaris 10
Note : " * " Supported by special inquiry.	

Regulatory Approvals

Hardware	EN55022 Class B, EN55024, EN61000-3-2, EN61000-3-3, FCC Part 15 Class B, BSMI: CNS13438, C-Tick: CISPR22 AS/NZS, RoHS
Software	Microsoft WHQL Windows ◆ Microsoft Client: XP/Vista/7 (X86/X64) ◆ Microsoft Server: 2000/2003/2008 (X86/X64)

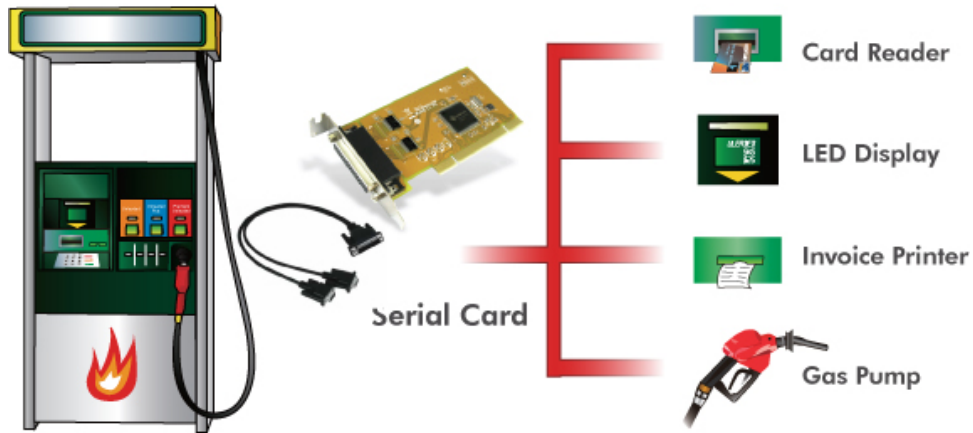
Environment

Operation Temperature	0 to 60°C (32 to 140°F)
Operation Humidity	5 to 95% RH
Storage Temperature	-20 to 85°C (-4 to 185°F)

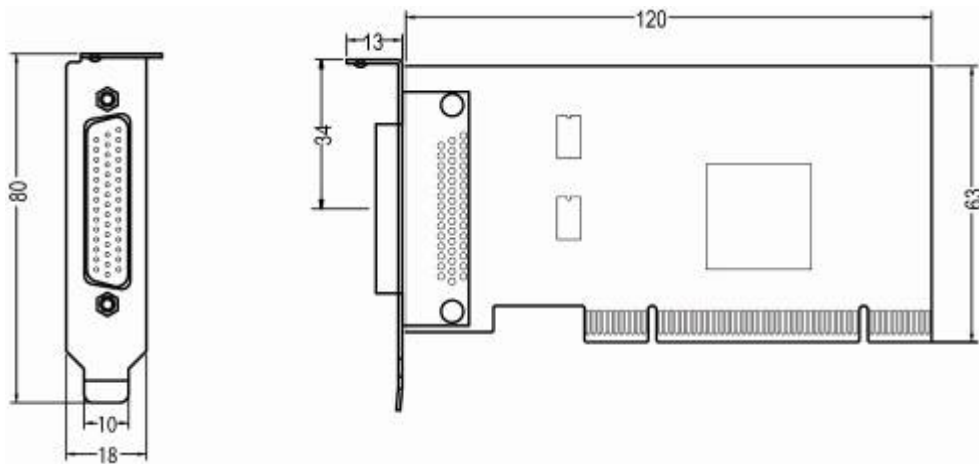
Dimension

PCB Dimension	120 x 63 mm
Bracket	Low Profile 80 mm
Bracket Space	1

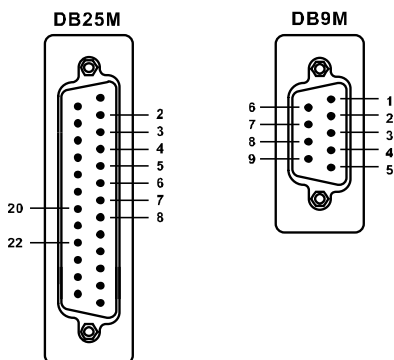
Application



Mechanical Drawings (Unit = mm)



Pin Assignment



PIN	DB9M	DB25M
DCD	1	8
RxD	2	3
TxD	3	2
DTR	4	20
GND	5	7
DSR	6	6
RTS	7	4
CTS	8	5
RI	9	22



Packing List

Packing Content

- SER5037HL – 2-port RS-232 High Speed Low Profile Universal PCI Serial Board
- Quick Installation Guide
- Software CD ROM
- DB44 to 2-port DB9/DB25 Male Connection Cable, 40 cm



Optional Accessories

- DB44 to 2-port DB9 Male Connection Cable, 40/100 cm

Part Number: 1WDB-44M04009D2000



- DB44 to 2-port DB25 Male Connection cable, 40/100 cm

Part Number: 1WDB-44M04025D2000



Order Information

Serial RS-232 Interface

Bus	Port	Connector	Baud Rate	ESD Protection	Power output	Bracket	Model NO.			
PCI Express	8	DB62 Female	115.2 kbps	±15KV	-	Standard	SER5466A			
			921.6Kbps		-		SER5466H			
		Mini SCSI 68 Female	115.2 kbps		-	Low profile	SER5466AL			
			921.6Kbps		-		SER5466HL			
	4	DB44 Female	115.2 kbps		-	Standard	SER5456A			
					5V/12V		-	SER5456P		
			921.6Kbps		-	Low profile	SER5456AL			
					5V/12V		-	SER5456PL		
		DB9 Male	115.2 kbps		-	Standard	SER5456H			
					5V/12V		-	SER5456PH		
			921.6Kbps		-	Low profile	SER5456HL			
					5V/12V		-	SER5456PHL		
	2	DB9 Male	115.2 kbps		-	Standard	SER5437A			
					5V/12V		-	SER5437P		
		DB44 Female	921.6Kbps		-	Low profile	SER5437AL			
					5V/12V		-	SER5437PL		
		DB9 Male	921.6Kbps		-	Standard	SER5437H			
					5V/12V		-	SER5437PH		
DB44 Female	921.6Kbps	-	Low profile	SER5437HL						
		5V/12V		-	SER5437PHL					
PCI	8	DB62 Female	115.2 Kbps	±2KV	-	Standard	SER5066A			
					Mini SCSI 68 Female		-	Low profile	SER5066AL	
		5x2 Pin Header			-	Standard	SER5066U			
					-		-	Low profile	SER5066UL	
		DB62 Female			921.6Kbps	±15KV	-		Standard	SER5066H
							Mini SCSI 68 female	-		Low profile
	5x2 Pin Header	-	Standard	SER5066UH						
		-		-			Low profile	SER5066UHL		
	4	DB44 Female	115.2 Kbps	±2KV				-	Standard	SER5056A
							5V/12V	-		Low profile
		5x2 Pin Header			-	Standard	SER5056U			
					-		-	Low profile	SER5056UL	
		DB44 Female			921.6Kbps	±15KV	-		Standard	SER5056H
							5V/12V	-		Low profile
	5x2 Pin Header	-	Standard	SER5056PH						
		-		-			Low profile	SER5056PHL		
	2	DB9 Male	115.2Kbps	±2KV				-	Standard	SER5037A
							5V/12V	-		Low profile
		5x2 Pin Header			-	Standard	SER5037U			
					-		-	Low profile	SER5037AL	
		DB44 Female			921.6Kbps	±15KV	-		Standard	SER5037PH
							5V/12V	-		Low profile
	5x2 Pin Header	-	Standard	SER5037HL						
		-		-			Low profile	SER5037PHL		
	1	DB9 Male	115.2Kbps	±2KV				-	Standard	SER5027A
							5V/12V	-		Low profile
		5x2 Pin Header			-	Standard	SER5027U			
					-		-	Low profile	SER5027AL	
		DB9 Male			921.6Kbps	±15KV	-		Standard	SER5027PH
							5V/12V	-		Low profile
	5x2 Pin Header	-	Standard	SER5027HL						
		-		-			Low profile	SER5027PHL		
	Express Card	4	DB44 Female	921.6Kbps				±15KV	-	34mm
		2					-		34mm	ECS2000
		1			DB9 Male	-	34mm		ECS1000	
	CardBus	4	DB44 Female	115.2Kbps	±15KV	-	54mm	CBS4000		
2		-				54mm	CBS2000			
1		DB9 Male				-	54mm	CBS1000		